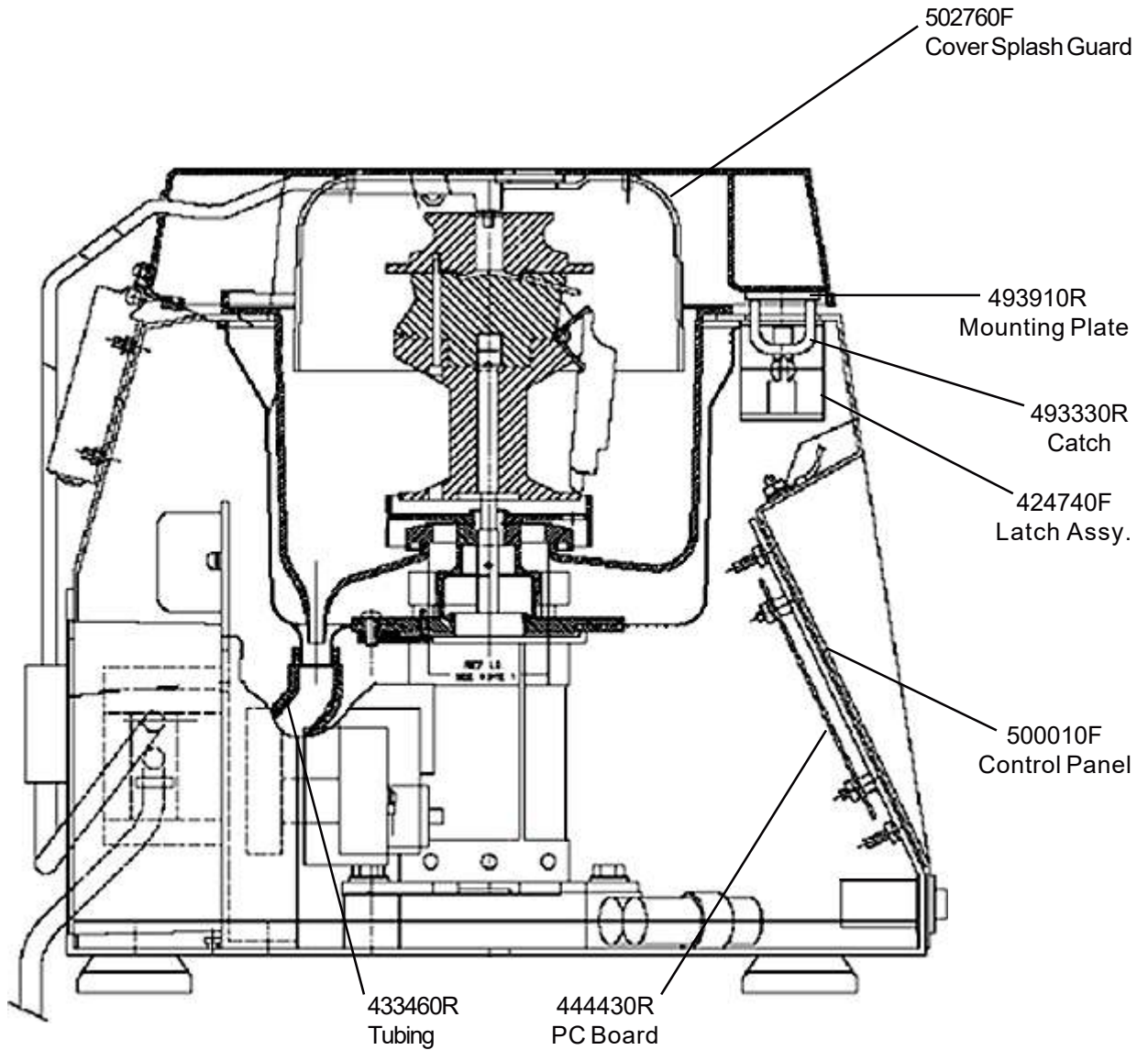


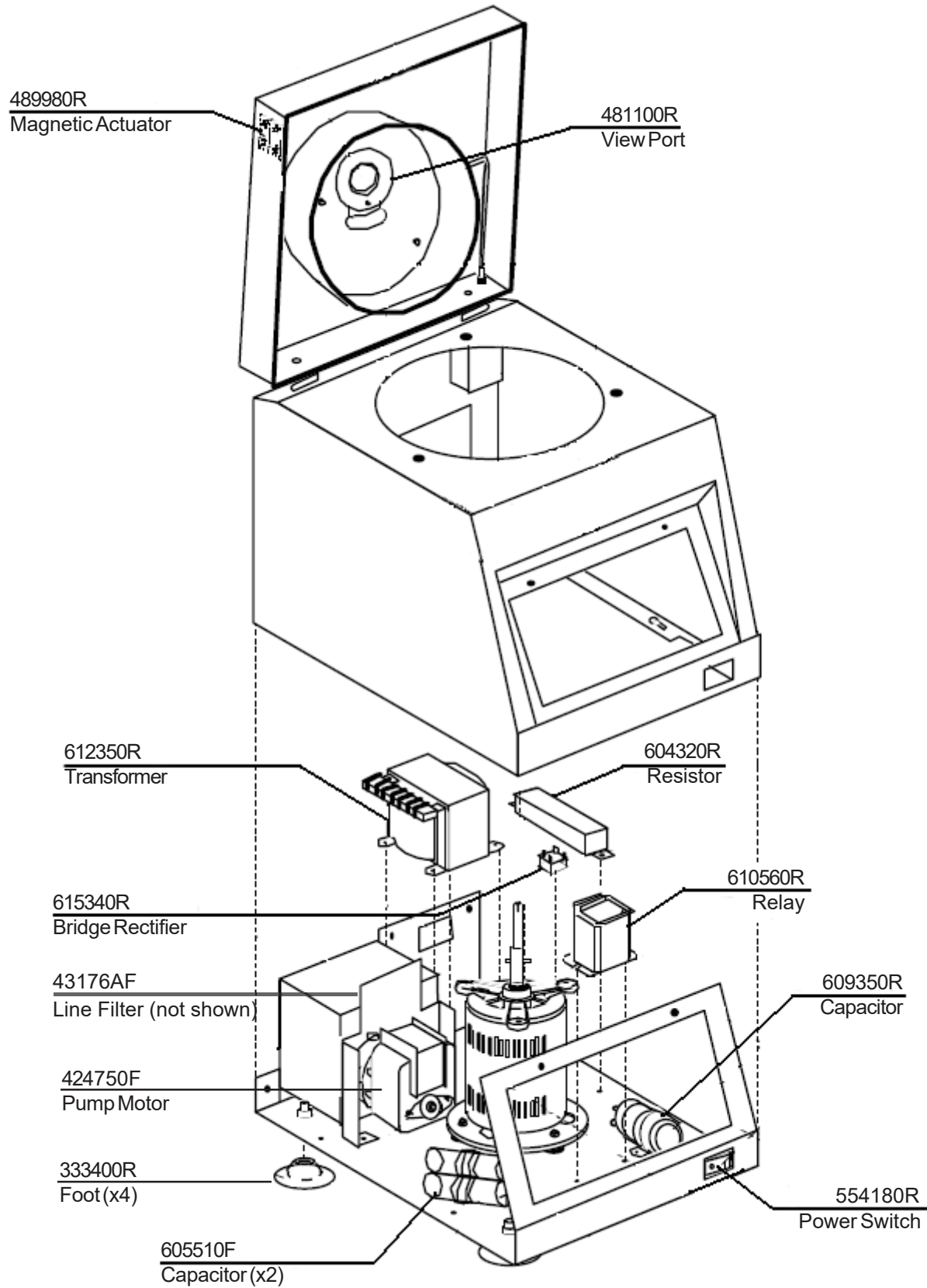
Figure 13-1 Side View

CW-2+ Spare Parts

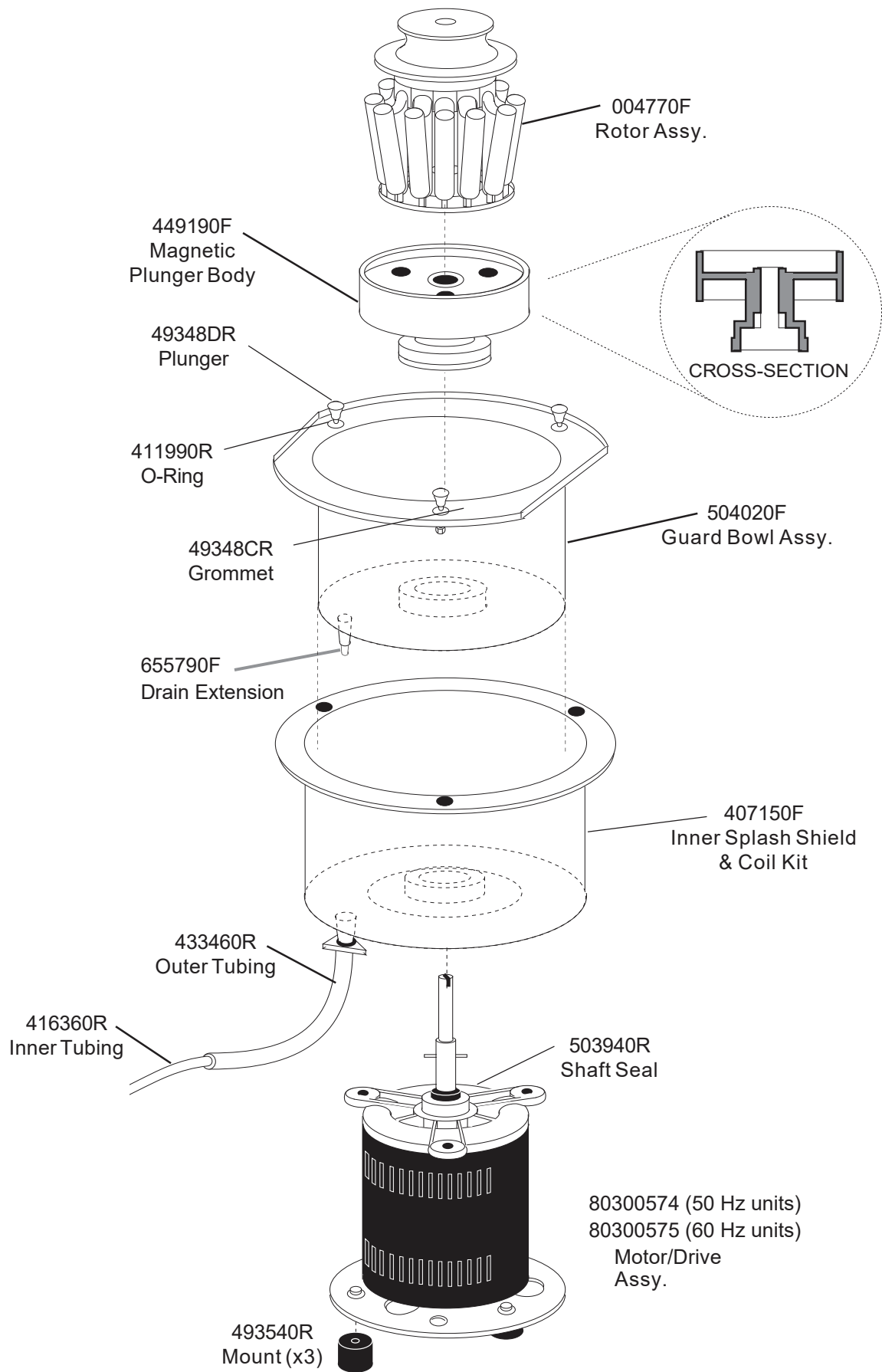


Preventive Maintenance/Service Kit Part Number: 500080F

Figure 13-2 Base Assembly

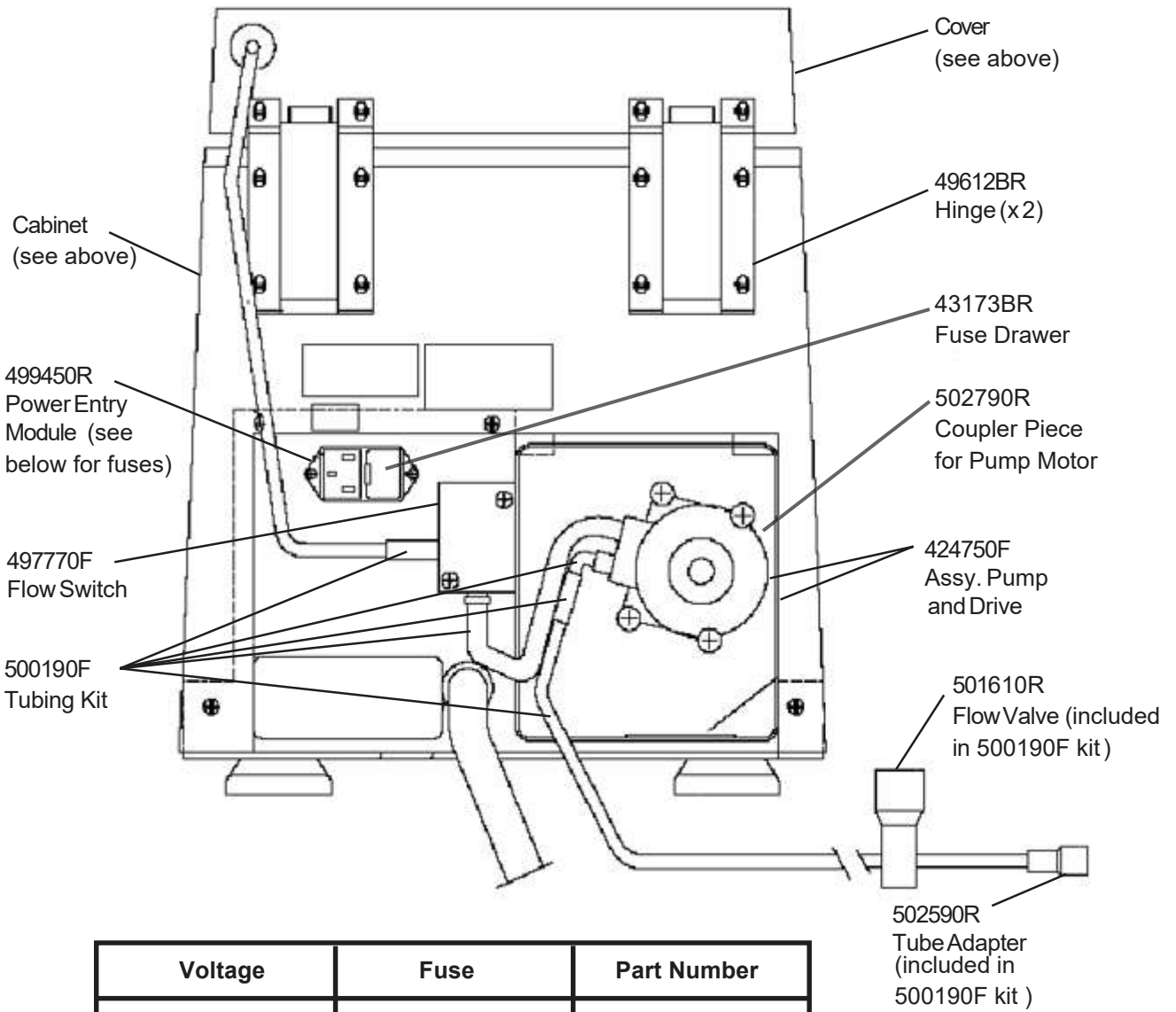


**Figure 13-3 Drive Assembly**



**Figure 13-4 Pump Assembly**

80300621	Cabinet/Cover Assy, Cellwasher 2 Plus
80300622	Cover Assy., Cellwasher 2 Plus



Voltage	Fuse	Part Number
100V/120V	250V 5A T	499460R
220V/230V/240V	250V 2.5A T	499370R

**Figure 13-5 Rotor Assembly**

