

# JetStream ATR Accessory – Measurements of Liquids under Varying Conditions

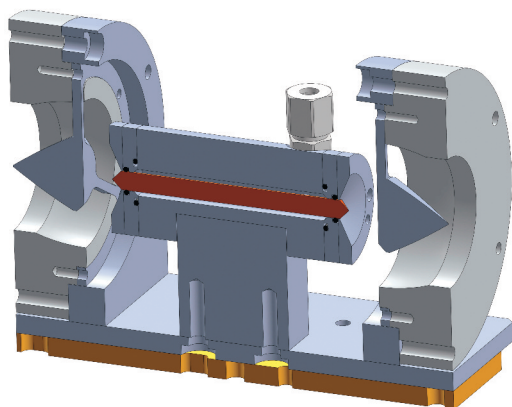


## FEATURES OF THE JETSTREAM ATR ACCESSORY

- Efficient ATR design for static and flowing liquid measurements
- Small sample chamber provides efficient sampling
- ZnSe and Germanium crystal options to match sample requirements
- Qualitative and quantitative applications

The PIKE Technologies JetStream is a unique ATR accessory optimized for analysis of liquids in static or flow modes at varying pressure. The accessory design revolves around a cylindrical ATR crystal that is encased in a heavy-duty stainless steel body. The sample is introduced via a Swagelok® (from 1/16" up to 1/4" tube OD) connection and completely surrounds the ATR crystal providing efficient sampling, excellent reproducibility and sufficient throughput for high sensitivity measurements.

The compact cell design employs a pair of transfer optics to direct the infrared beam to one end of an IR transmitting ATR crystal. A similar pair of optics directs the beam emitted from the other end of the ATR crystal to the spectrometer detector.

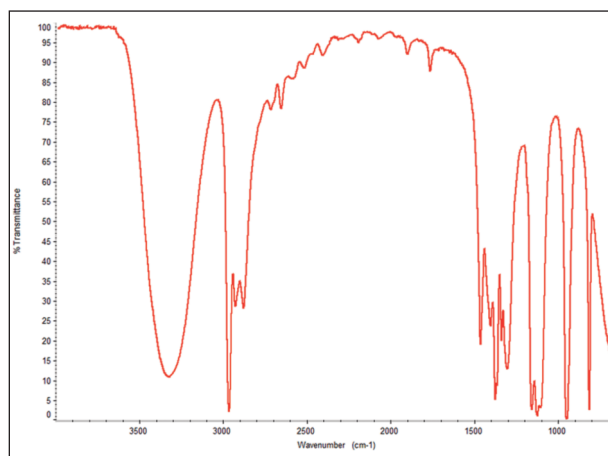


Optical diagram of the JetStream ATR

The ATR crystal for the JetStream ATR accessory is of a cylindrical shape and is 82 mm long and 6.4 mm in diameter. The volume of the sample chamber is 1.3 mL.

To optimize accessory performance, crystal geometry has been carefully chosen. The design of the JetStream ATR accessory provides 12 reflections of the IR beam along the crystal surface.

The maximum pressure rating is 1500 psig. The accessory fits in most brands of FTIR spectrometers.



Isopropanol spectrum collected using the JetStream with ZnSe crystal

## JETSTREAM ATR ACCESSORY SPECIFICATIONS

Cell Body	316 Stainless Steel
ATR Crystals	ZnSe or Germanium
Crystal Size	82 mm x 6.4 mm
Crystal Face Angle	45°
Number of Reflections	12
Cell Volume	1.3 mL
Liquid Connectors	316 Stainless Steel Swagelok®
Maximum Pressure	1500 psig

## ORDERING INFORMATION

*JetStream ATR (insert spectrometer model for XX)*

PART NUMBER	DESCRIPTION
020-19XX	JetStream ATR Base Optics Assembly

Notes: Contact PIKE Technologies for temperature control options

*ATR Crystals (must select one)*

PART NUMBER	DESCRIPTION
020-2010	ZnSe Rod
020-2050	Ge Rod

*Replacement Parts*

PART NUMBER	DESCRIPTION
020-3040	EPDM Crystal O-Rings (2 each)
020-3041	EPDM Housing O-Rings (2 each)
020-3045	Kalrez Crystal O-Rings (2 each)
020-3046	Kalrez Housing O-Rings (2 each)