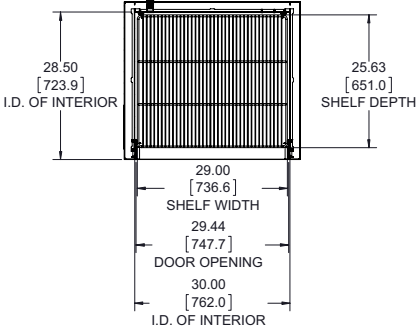




<b>Specifications</b>	<b>Catalog number</b>	TSX3005GA
	<b>Model Number</b>	TSX3005GA
	<b>Application, Rating and Electrical Data</b>	
	Application	Storage of General (non-flammable) Laboratory Materials
Storage Volume	827 Liters / 29.2 Cubic Feet	
Factory Set Point	5°C	
Set Point Range/Adjustable Increment	3°C to 7°C/ 0.1°C	
Electrical Power / Rated Current	115V 60 Hz 1 Phase / 9.25A	
Building Supply Rating	15A dedicated grounded non-GFCI circuit. Protected by circuit breaker rated for inductive loads	
Power Plug/Power Cord Length	15 Amp (NEMA 5-15P) / 3.048 Meters (10 feet)	
Agency Listings	UL, cUL	
Indoor/Outdoor Usage	Indoor Use Only	
Application Environment	Non-Corrosive, Non-Flammable, Non-Explosive, Good Air Ventilation	
Ambient Operating Temperature	15° C - 32° C (60° F - 90° F)	
<b>Refrigeration Configuration</b>		
Refrigeration System	Vapor compression system	
Compressor / Number / Capacity	Hermetic Variable Capacity Compressor / 1 / 394W	
Condenser Type/Number	Enhanced Finned-Tube and Forced-Air Cooled / 1	
Expansion Device	Capillary Tube	
Evaporator Type / Defrost Method	Forced Air Evaporator Coil / Automatic Defrost	
Refrigerant Charge / Flammability	R290,140gms,GWP:3 ODP:0 / Flammable	
<b>Controller/Electrical System Configuration and Features</b>		
Controller Level	Eye Level	
Power Switch	Keyed Off-On - Alarm	
Controller Type	IntrLogic Control System: Digital display, Graphic thermometer, Automatic defrost system	
Setpoint Security / Programmable	Yes / Yes	
Compressor Safe Guard	Current protection	
Control Sensor	Single RTD (1000 ohm shielded Platinum RTD)	
Connectivity / Remote Outputs	Remote alarm contacts, RS485 output and 4-20 mA output (optional)	
Adjustable Warm / Cold Alarms	Fully Adjustable	
Power Failure Alarm	Standard	
Electronic Chart Recorder	Optional	
<b>Dimensions and Construction</b>		
Interior Dimensions (D x W x H)	72.3 cm X 76.2 cm X 147.3 cm (28.5" x 30.0" x 58.0")	
Exterior Dimensions (D x W x H)	94.7 cm x 86.4 cm x 199.4 cm ( 37.3" x 34.0" x 78.5")	
Insulation	5.08 cm (2.0") High-Density Water-Blown Polyurethane Foam	
Door Perimeter heater	Yes	
Shelves / Load Limit	(4) Adjustable Wire Shelves / 45 kg (100 lbs) per Shelf	
All-Direction Casters	Standard with Locks	
Shipping Weight	208 kg / 458 lb	

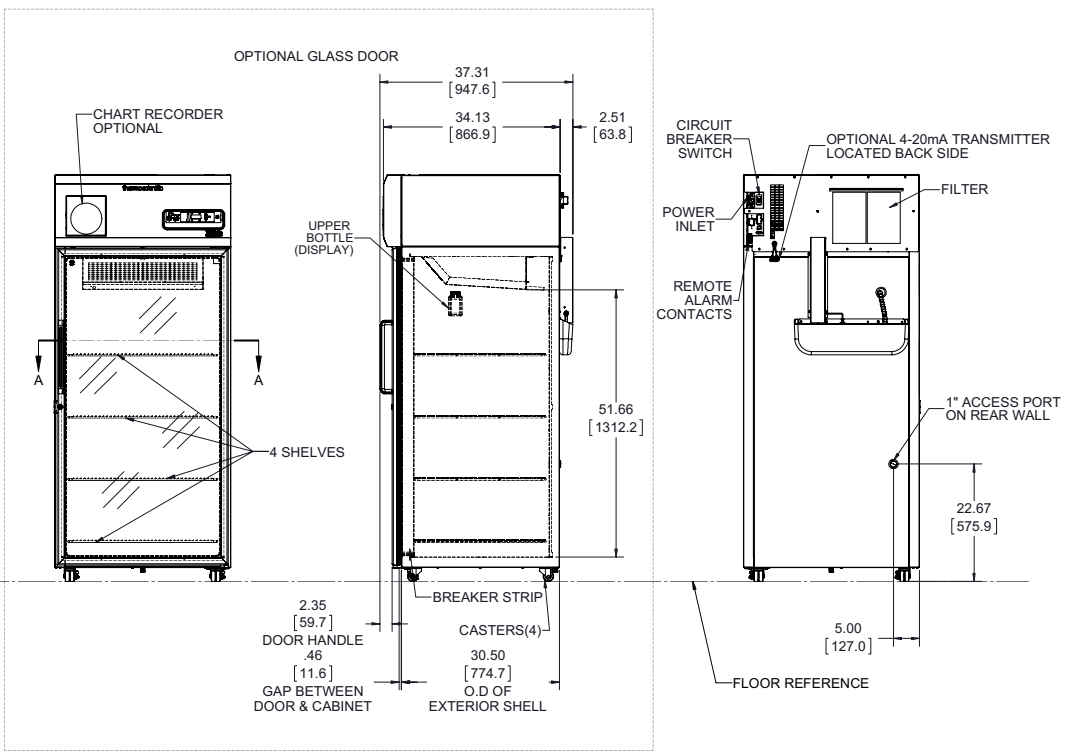
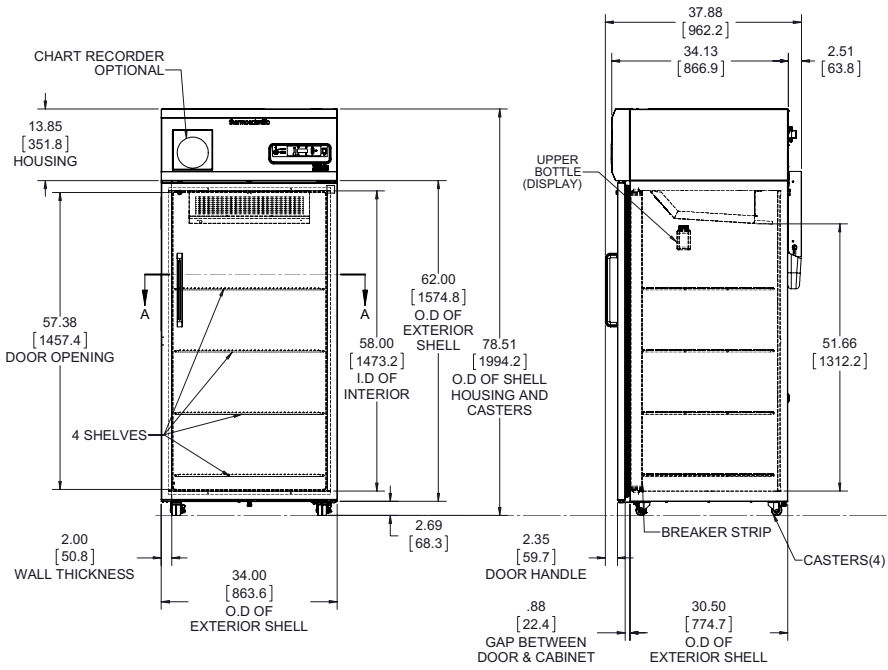
<p><b>30 cuft Upright Refrigerator, Pull Down and Warm Up</b></p>		<p><b>30 cuft Upright Refrigerator at 5C Cycle</b></p>		<p>Test Unit Series Number or MSO Number: 19758-A-15</p>
<p>Temperature, C</p> <p>Time, minutes</p>		<p>Temperature, C</p> <p>Time, minutes</p>		<p>Cabinet Load: Unloaded</p> <p>Average Cabinet Temp at 5C Cycle (C): 4.5</p> <p>Peak Variation from Setpoint (C): +1.3 / -2</p> <p>Uniformity (C): 1.2</p> <p>Stability (C): 2.1</p> <p>1-min Door Opening Recovery to 5C (min): 2</p> <p>Duty Cycle at 5C (%): 26</p> <p>Cycle (on/off) rate at 5C (min): 3 / 9</p> <p>Energy Consumption (kw-hr/day): 3.8</p> <p>Heat Rejection Rate (btu/hr): 539</p> <p>Pull Down Time (to 5C) (min): 11</p> <p>Warm Up Time (5C to 15C) (min): 199</p> <p>Sound (dBA): 52</p>

- 1) Performance is nominal and individual units may vary.
- 2) Product performance will differ due to product amount, product size and operating conditions.
- 3) Continuous product enhancements may, without notice, result in amendments or omissions to this specification. Thermo Scientific cannot accept responsibility for damage, injury, loss or expenses resulting from misapplication of the information herein.



ONLY CABINET SHOWN FOR CLARITY IN TOP VIEW, TO ILLUSTRATE INTERIOR DIMENSIONS

SECTION A-A



NOTE: DUAL DIMENSION IS INCHES OVER MILLIMETERS  
DO NOT USE FOR ENGINEERING PURPOSES. SUBJECT TO CHANGE WITHOUT NOTICE.

30 cu.ft. Lab Refrigerator  
4 Shelves  
Single Outer Door  
Top Mount Controls