

Sorvall MTX 150
Micro Ultra Centrifuge
Service Spare
Parts



PARTS LIST for PREPARATIVE ULTRACENTRIFUGES

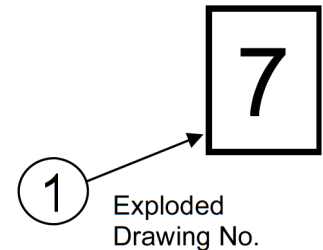
Model	Thermo Scientific Sorvall MTX 150
-------	--------------------------------------

HOW TO USE PARTS LIST

This parts list has been compiled to ensure that correct consumptive articles or replacement parts required by our products in your possession will be supplied.
Please refer to this parts list when ordering parts of your requirement.

No.	Qty	Unit	Part No.	Description	Compatibility	C.a.	Remark	Rev
7 - 1	1		S201517A	Clip Base Assy.				
7 - 2								
7 - 3	1		332021	Clip Base Cover				
7 - 4	1		332020	Clip Base				
7 - 5	1		465366	Gasket				
7 - 6								
7 - 7	1		S404644A	MPG Assy.				
7 - 8	1		S404645A	RPG Assy.				

EXAMPLE



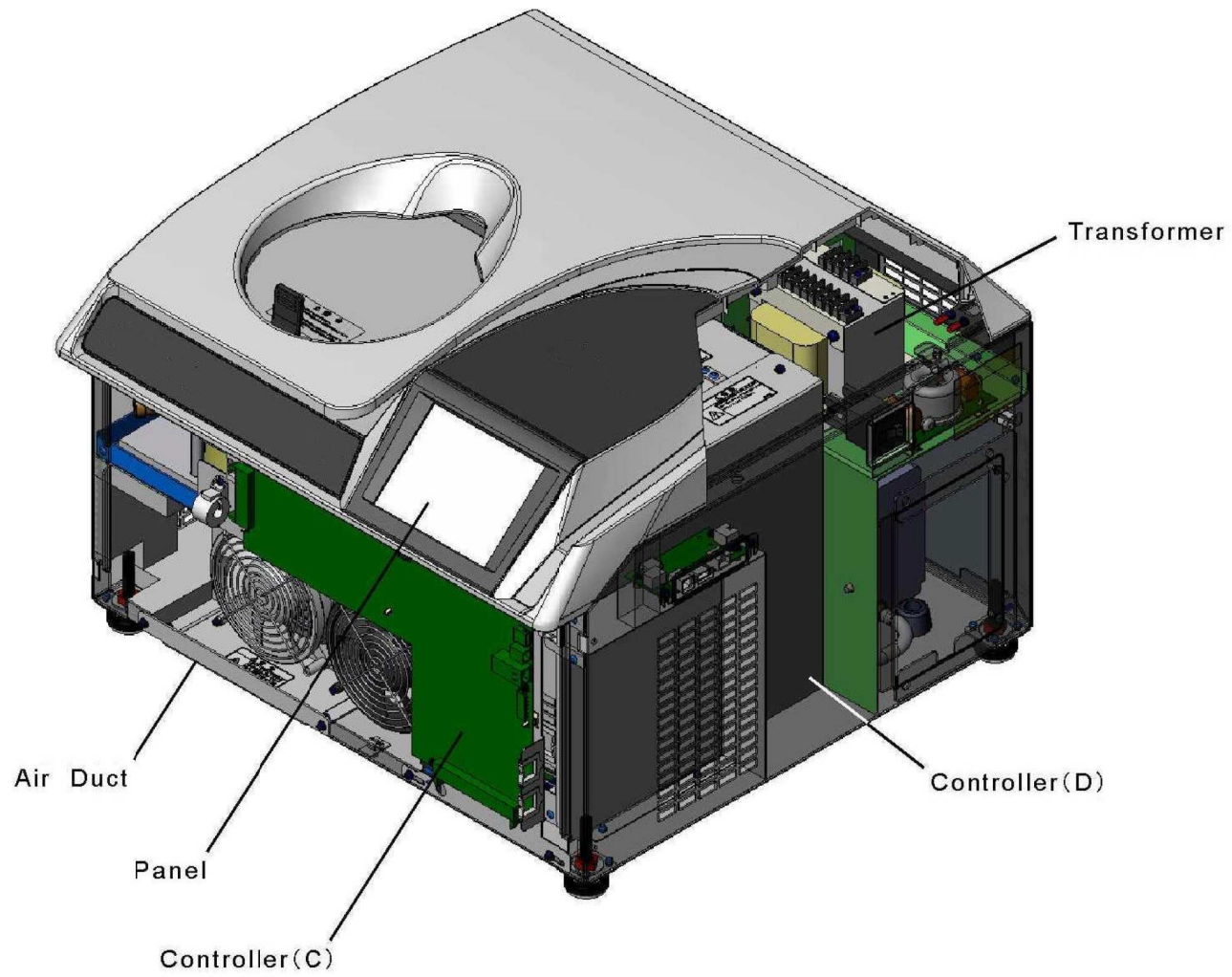
1. CONTENTS of PARTS LIST

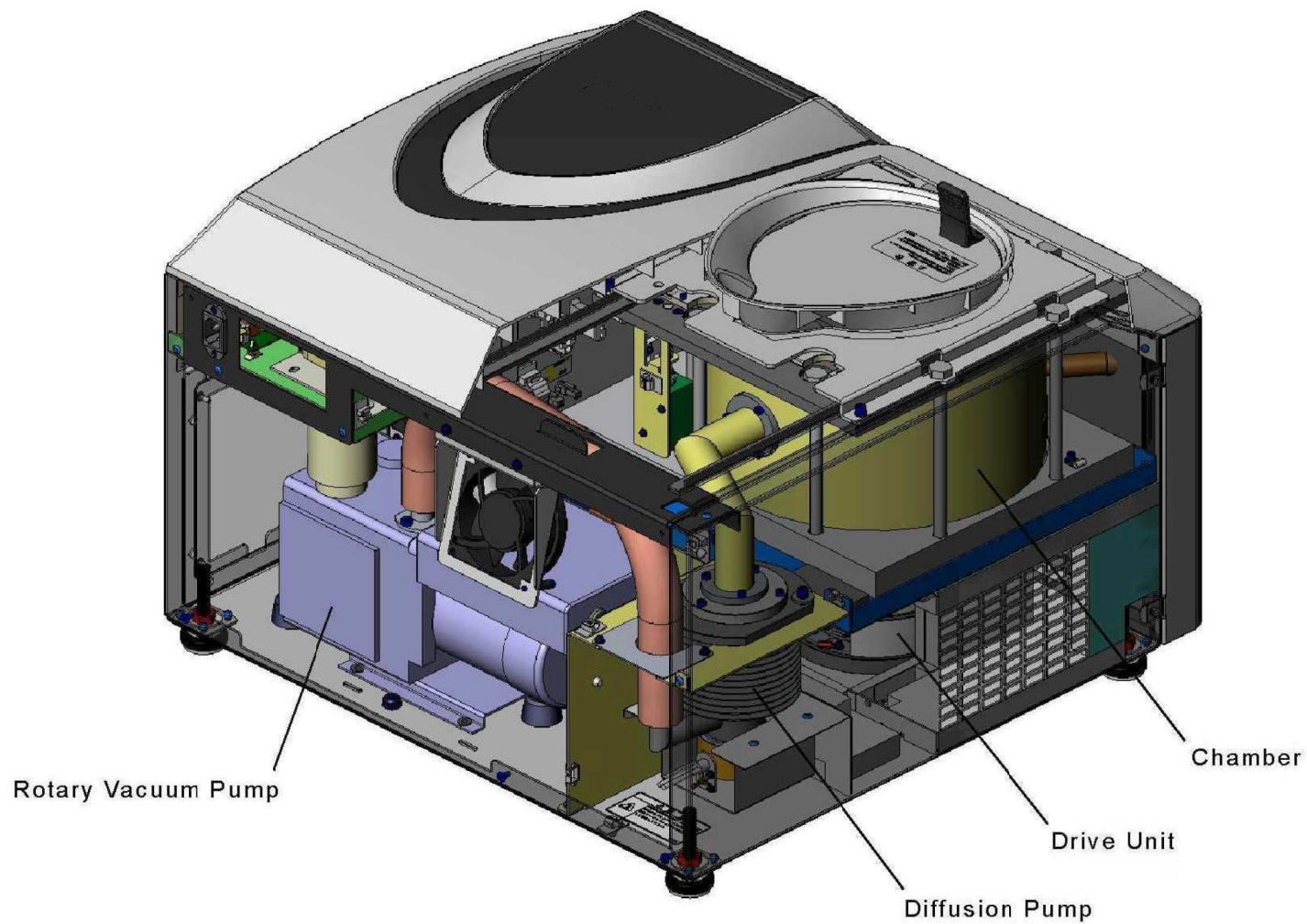
- ① Exploded Drawing No.
No. given to each exploded view as an index.
- ② No.
Reference numbers corresponding to those in the exploded views given with leader lines.
- ③ Qty
The quantity incorporated in or attached to one product not the sales unit.
- ④ Unit
All the parts composing an assembly unit are indicated by a] and are to be supplied as an assembly.
- ⑤ Part No. , Description
The numbers and the names of parts. The numerals suffixed letter (A, B ...) are indicated assemblies.
- ⑥ Compatibility
All the Models and constituent group in which the particular part is usable are given.
- ⑦ Consumptive article
Those parts which are subject to excessive wear, or liable to fail are always kept in stock for immediate supply, and are marked with O.

2. HOW TO ORDER PARTS

When you order parts, please specify the following information : (Example)

PART No.	DESCRIPTION	QTY
S404644A	MPG assy.	1



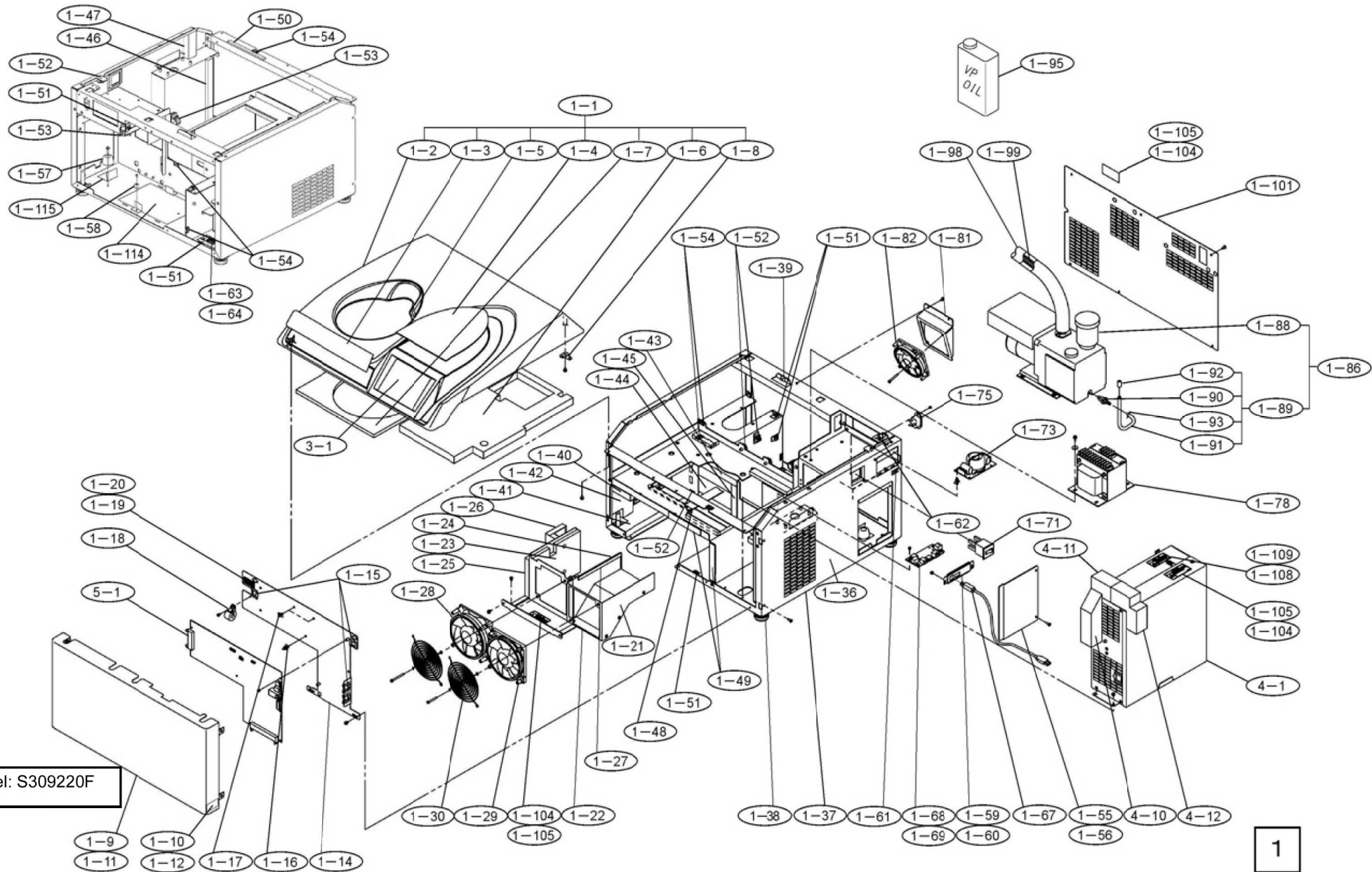


Rotary Vacuum Pump

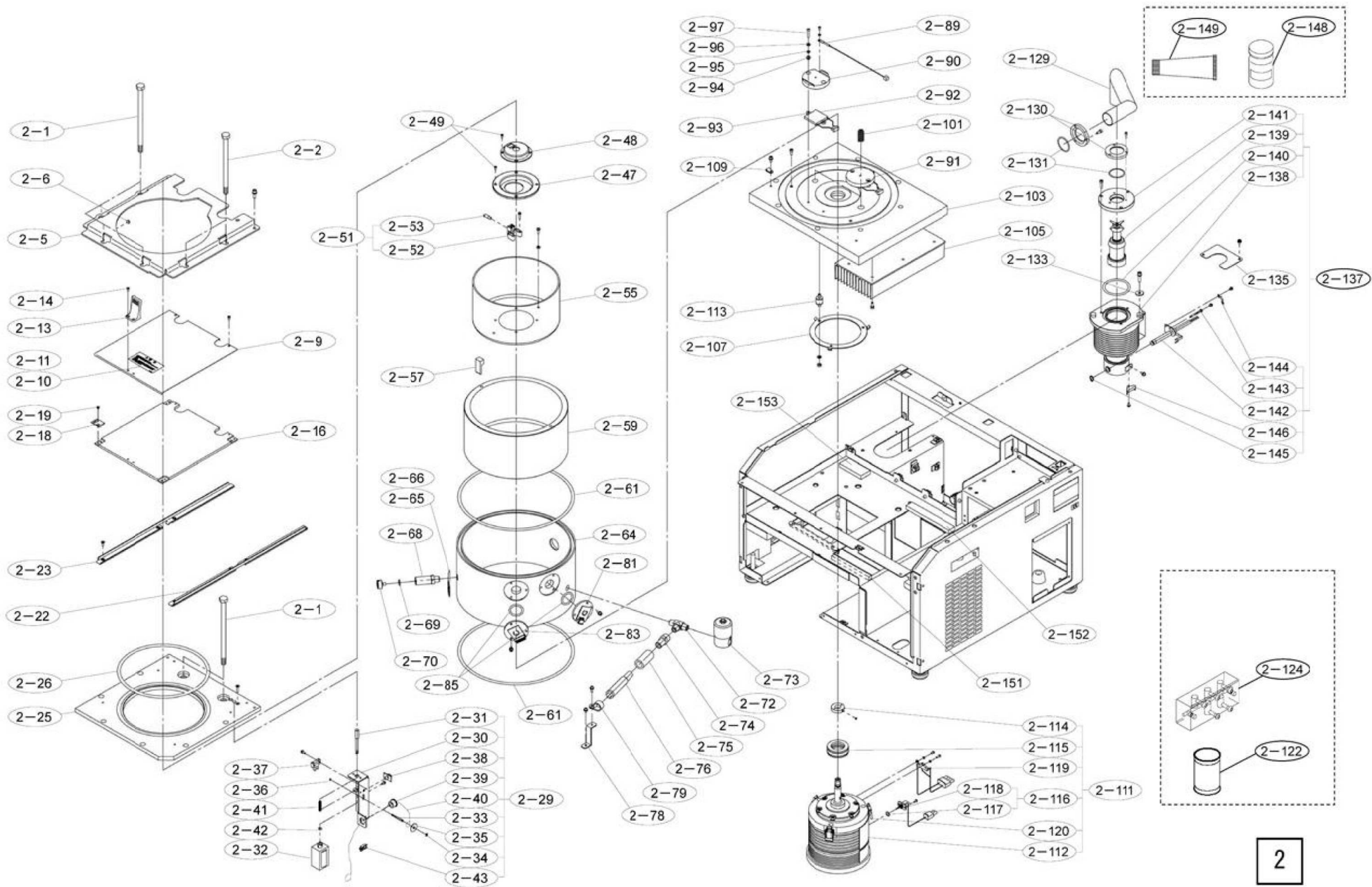
Diffusion Pump

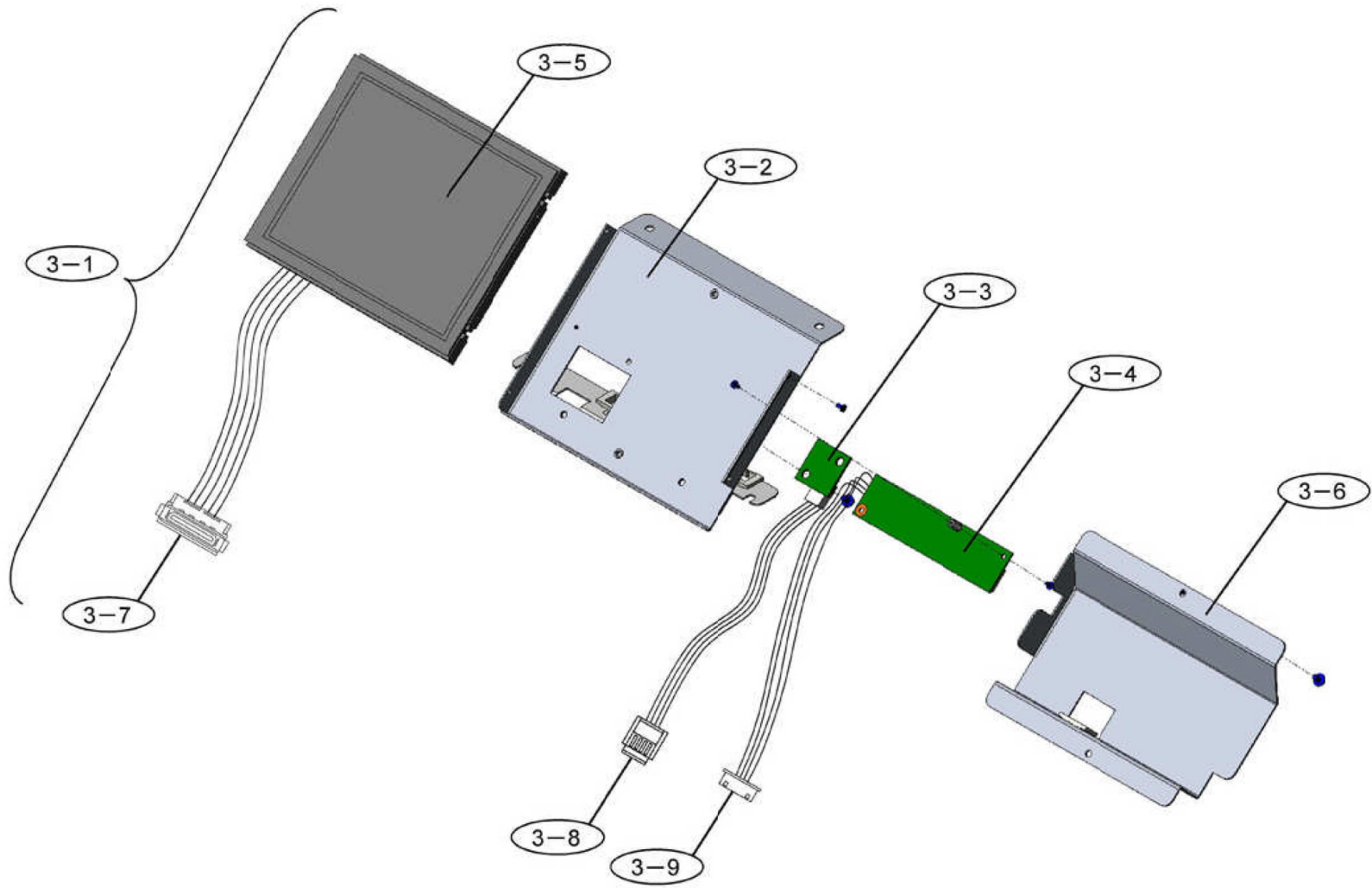
Drive Unit

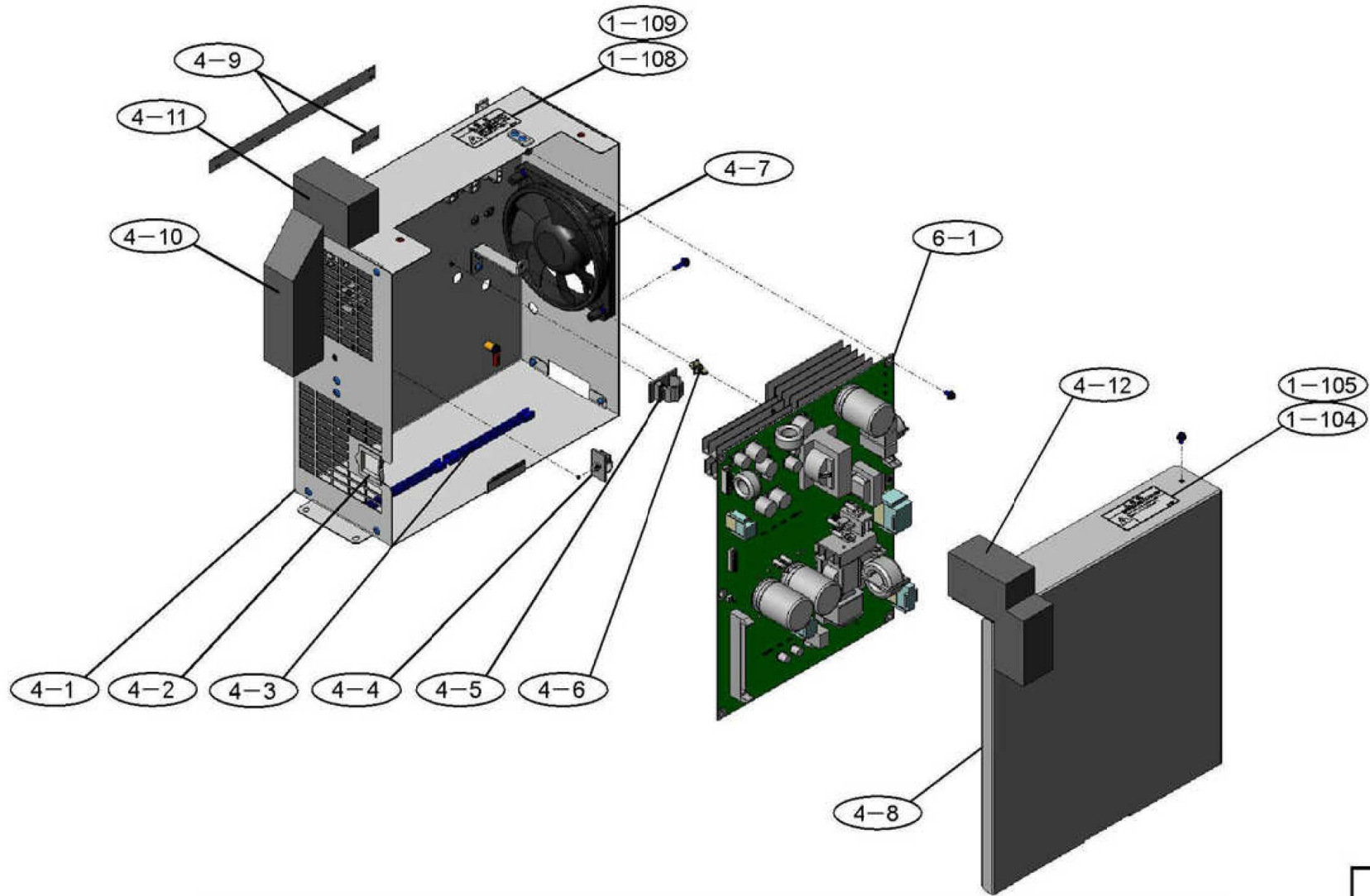
Chamber



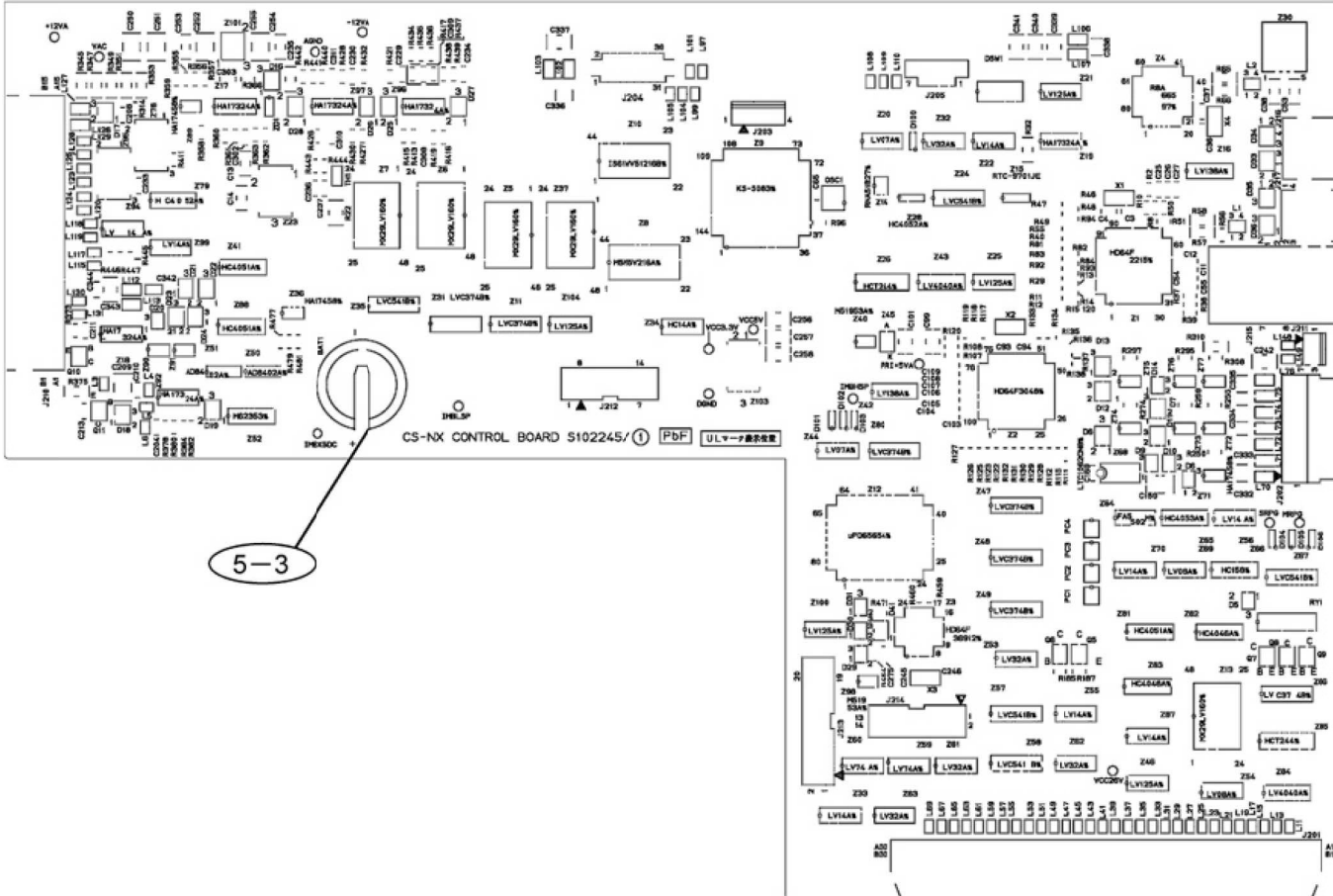
front panel: S309220F







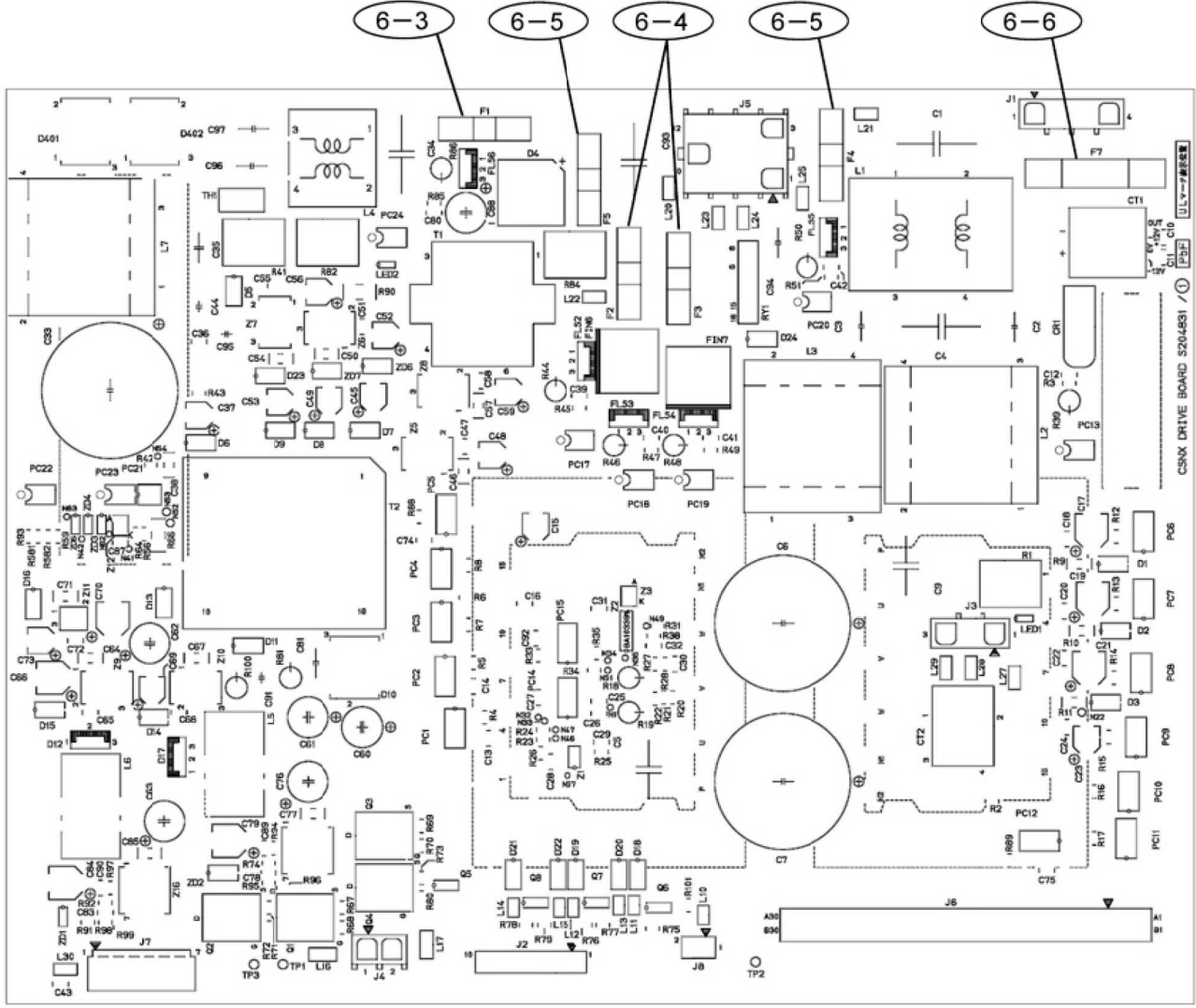
5-1



5-3

5

6-1



6

 <p>7-4</p>	 <p>7-7</p>	<p>7-20</p> <p>Preventive Maintenance Kit</p>	
 <p>7-5</p>	 <p>7-8</p> <p>7-9</p>		
 <p>7-6</p>	 <p>7-10</p>		

No.	Q'ty	Unit	Part No.	Descripton	Compatibility	C.a.	Remark	Rev.
1 - 1	1	}	S102296B	Table Assy			Includes 1-2 ~ 8	
1 - 2								
1 - 3	1		S309303	Front Decal				
1 - 4	1		S3092352	Top Mat				
1 - 5								
1 - 6								
1 - 7								
1 - 8								
1 - 9								
1 - 10								
1 - 11		}	S309220B	Front Cover Assy	NEW: S309220F		Includes 1-12	
1 - 12								
1 - 13								
1 - 14								
1 - 15								
1 - 16								
1 - 17								
1 - 18								
1 - 19								
1 - 20								

No.	Q'ty	Unit	Part No.	Descripton	Compatibility	C.a.	Remark	Rev.
1 - 21								
1 - 22								
1 - 23								
1 - 24								
1 - 25								
1 - 26								
1 - 27								
1 - 28	1		S412217A	DC Fan				
1 - 29	1		S412218A	DC Fan				
1 - 30								
1 - 31								
1 - 32								
1 - 33								
1 - 34								
1 - 35								
1 - 36								
1 - 37								
1 - 38	4		84552801	Adjuster foot				
1 - 39								
1 - 40								

No.	Q'ty	Unit	Part No.	Descripton	Compatibility	C.a.	Remark	Rev.
1 - 41								
1 - 42								
1 - 43								
1 - 44								
1 - 45								
1 - 46								
1 - 47								
1 - 48								
1 - 49								
1 - 50								
1 - 51								
1 - 52								
1 - 53								
1 - 54								
1 - 55								
1 - 56								
1 - 57								
1 - 58								
1 - 59								
1 - 60								

No.	Q'ty	Unit	Part No.	Descripton	Compatibility	C.a.	Remark	Rev.
1 - 61								
1 - 62								
1 - 63								
1 - 64								
1 - 65								
1 - 66								
1 - 67								
1 - 68								
1 - 69								
1 - 70								
1 - 71	1		84335901	Circuit Breaker, main				
1 - 72								
1 - 73	1		S308707A	Line filter board Assy				
1 - 74								
1 - 75	1		45555	Inlet, electrical				
1 - 76								
1 - 77								
1 - 78	1		S204924	Transformer				
1 - 79								
1 - 80								

No.	Q'ty	Unit	Part No.	Descripton	Compatibility	C.a.	Remark	Rev.
1 - 81								
1 - 82	1		S412251A	DC Fan (rear)				
1 - 83								
1 - 84								
1 - 85								
1 - 86	1		S204963A	Rotary Vacuum Pump Assy			Includes 1-87 ~ 93	
1 - 87								
1 - 88	1		84692401	Oil Mist trap				
1 - 89	1		S309302A	Tube Assy			Includes 1-90 ~ 93	
1 - 90								
1 - 91								
1 - 92								
1 - 93								
1 - 94								
1 - 95	1		S410357	Vacuum pump oil (order PM kit S204365A)			R-2 oil, 1 L Can	
1 - 96								
1 - 97								
1 - 98	1		84610201	Vacuum Hose				
1 - 99								
1 - 100								

No.	Q'ty	Unit	Part No.	Descripton	Compatibility	C.a.	Remark	Rev.
1 - 101	1		S309182	Rear Cover				
1 - 102								
1 - 103								
1 - 104								
1 - 105								
1 - 106								
1 - 107								
1 - 108								
1 - 109								
1 - 110								
1 - 111								
1 - 112								
1 - 113								
1 - 114								
1 - 115								
1 - 116								
1 - 117								
1 - 118								
1 - 119								
1 - 120								

No.	Q'ty	Unit	Part No.	Descripton	Compatibility	C.a.	Remark	Rev.
2 - 1								
2 - 2								
2 - 3								
2 - 4								
2 - 5								
2 - 6								
2 - 7								
2 - 8								
2 - 9	1		S309163	Door Cover				
2 - 10								
2 - 11								
2 - 12								
2 - 13								
2 - 14								
2 - 15								
2 - 16								
2 - 17								
2 - 18								
2 - 19								
2 - 20								

No.	Q'ty	Unit	Part No.	Descripton	Compatibility	C.a.	Remark	Rev.
2 - 21								
2 - 22								
2 - 23								
2 - 24								
2 - 25								
2 - 26	1		84520135	O-ring (order PM kit S204365A)				
2 - 27								
2 - 28								
2 - 29	1		S309185A	Door Lock Assy			Includes 2-30 ~ 43	
2 - 30								
2 - 31								
2 - 32								
2 - 33								
2 - 34								
2 - 35								
2 - 36								
2 - 37	1		45713	Sensor, door latch				
2 - 38								
2 - 39								
2 - 40								

No.	Q'ty	Unit	Part No.	Descripton	Compatibility	C.a.	Remark	Rev.
2 - 41								
2 - 42								
2 - 43								
2 - 44								
2 - 45								
2 - 46								
2 - 47	1		S306499	Sensor Cover A				
2 - 48	1		S408503	Sensor Cover B				
2 - 49								
2 - 50								
2 - 51	1		45714	Sensor, RPG and Imbalance Assembly			Includes 2-52 and 2-53	
2 - 52								
2 - 53								
2 - 54								
2 - 55	1		S305270B	Bowl Assy				
2 - 56								
2 - 57								
2 - 58								
2 - 59								
2 - 60								

No.	Q'ty	Unit	Part No.	Descripton	Compatibility	C.a.	Remark	Rev.
2 - 61	2		45043	O ring				
2 - 62								
2 - 63								
2 - 64								
2 - 65								
2 - 66								
2 - 67								
2 - 68								
2 - 69	1		4653137	O ring				
2 - 70								
2 - 71								
2 - 72								
2 - 73	1		465309C	Vacuum release solenoid				
2 - 74								
2 - 75	1		S4012424	Vacuum hose				
2 - 76	1		S303579	Pirani sensor head				
2 - 77								
2 - 78								
2 - 79								
2 - 80								

No.	Q'ty	Unit	Part No.	Descripton	Compatibility	C.a.	Remark	Rev.
2 - 81								
2 - 82								
2 - 83								
2 - 84								
2 - 85	2		45035	O ring				
2 - 86								
2 - 87								
2 - 88								
2 - 89	1		45721	Thermistor Assembly				
2 - 90	1		45749	Bowl piece			Includes 2-93 ~ 97 and 2-101	
2 - 91								
2 - 92	2		S306842A	Thermo Module Assembly				
2 - 93	4	}	45749	Spacer				
2 - 94	4			Insulating washer				
2 - 95	8			Belleville spring washer				
2 - 96	4			D4 Plain washer				
2 - 97	4			M4 x 20 Pan head screw				
2 - 98								
2 - 99								
2 - 100								

No.	Q'ty	Unit	Part No.	Descripton	Compatibility	C.a.	Remark	Rev.
2 - 101	2		45749	Compression Spring			Includes 2-90 and 2-93 ~ 97	
2 - 102								
2 - 103								
2 - 104								
2 - 105								
2 - 106								
2 - 107								
2 - 108								
2 - 109								
2 - 110								
2 - 111	1		S204961A	Drive Unit Assembly			Includes 2-112 ~ 2-120	
2 - 112								
2 - 113	3		45723	Damping rubber, (order PM kit S204365A)				
2 - 114								
2 - 115	1		45094	Bellows, (order PM kit S204365A)				
2 - 116	1		S309301A	Sensor, Oil level			Includes 2-117 ~ 2-118	
2 - 117								
2 - 118								
2 - 119	1		S305296B	Sensor, Thermal (Drive Unit)				
2 - 120								

No.	Q'ty	Unit	Part No.	Descripton	Compatibility	C.a.	Remark	Rev.
2 - 121								
2 - 122	1		S408791A	Oil, Drive Assembly				
2 - 123								
2 - 124								
2 - 125								
2 - 126								
2 - 127								
2 - 128								
2 - 129								
2 - 130								
2 - 131	2		84520101	O ring				
2 - 132								
2 - 133								
2 - 134								
2 - 135								
2 - 136								
2 - 137	1		S309222A	Diffusion pump Assembly			Includes 2-138 ~ 146	
2 - 138								
2 - 139	1		45724	Jet, Diffusion pump				
2 - 140	1		45705	O ring, Diffusion pump				

No.	Q'ty	Unit	Part No.	Descripton	Compatibility	C.a.	Remark	Rev.
2 - 141								
2 - 142	1		S309227A	Heater, Diffusion pump				
2 - 143	1		S412278A	Thermistor Assy				
2 - 144								
2 - 145								
2 - 146	1	/	S304569B	Sensor, Temperature, Diffusion pump				
2 - 147								
2 - 148	1		12268	Oil, Diffusion pump (order PM kit S204365A)			50 cc	
2 - 149	1		84810801	Grease, Diffusion pump			60 g	
2 - 150								
2 - 151								
2 - 152								
2 - 153								
2 - 154								
2 - 155								
2 - 156								
2 - 157								
2 - 158								
2 - 159								
2 - 160								

No.	Q'ty	Unit	Part No.	Descripton	Compatibility	C.a.	Remark	Rev.
3 - 1	1	\	S204916A	Panel Assy			Includes 3-2 ~ 9	
3 - 2								
3 - 3								
3 - 4								
3 - 5								
3 - 6								
3 - 7	1		S309232A	LCD Cable Assy				
3 - 8	1		S412281A	Touch Panel Cable Assy				
3 - 9	1	/	S412282A	LCD Inverter Cable Assy				
3 - 10								
3 - 11								
3 - 12								
3 - 13								
3 - 14								
3 - 15								
3 - 16								
3 - 17								
3 - 18								
3 - 19								
3 - 20								

No.	Q'ty	Unit	Part No.	Descripton	Compatibility	C.a.	Remark	Rev.
4 - 1								
4 - 2								
4 - 3								
4 - 4								
4 - 5								
4 - 6								
4 - 7	1		S412250A	DC Fan Assy				
4 - 8								
4 - 9								
4 - 10								
4 - 11								
4 - 12								
4 - 13								
4 - 14								
4 - 15								
4 - 16								
4 - 17								
4 - 18								
4 - 19								
4 - 20								

No.	Q'ty	Unit	Part No.	Descripton	Compatibility	C.a.	Remark	Rev.
5 - 1	1	}	S204969B	Control Printed Circuit Board			Includes 5-3	
5 - 2								
5 - 3	1	}	84355103	Battery				
5 - 4								
5 - 5								
5 - 6								
5 - 7								
5 - 8								
5 - 9								
5 - 10								
5 - 11								
5 - 12								
5 - 13								
5 - 14								
5 - 15								
5 - 16								
5 - 17								
5 - 18								
5 - 19								
5 - 20								

No.	Q'ty	Unit	Part No.	Descripton	Compatibility	C.a.	Remark	Rev.
6 - 1	1		S204970A	Drive Printed Circuit Board Assembly			Includes 6-3 ~ 6	
6 - 2								
6 - 3	1		84333401	Fuse			F1 4A	
6 - 4	2		84333002	Fuse			F2, F3 10A	
6 - 5	2		84332701	Fuse			F4, F5 2A	
6 - 6	1		84332802	Fuse			F7 15A	
6 - 7								
6 - 8								
6 - 9								
6 - 10								
6 - 11								
6 - 12								
6 - 13								
6 - 14								
6 - 15								
6 - 16								
6 - 17								
6 - 18								
6 - 19								
6 - 20								

No.	Q'ty	Unit	Part No.	Descripton	Compatibility	C.a.	Remark	Rev.
7 - 1								
7 - 2								
7 - 3								
7 - 4								
7 - 5								
7 - 6	1		45216	Level				
7 - 7	1		65937	Vacuum grease				
7 - 8	1		S204746	Power Cord, 110 ~ 120 VAC				
7 - 9	1		S204730	Power Cord, 208 ~ 240 VAC				
7 - 10								
7 - 11								
7 - 12								
7 - 13								
7 - 14								
7 - 15								
7 - 16								
7 - 17								
7 - 18								
7 - 19								
7 - 20	1		S204365A	Preventive Maintenance Kit				