

## Cleaning iCAP OES windows

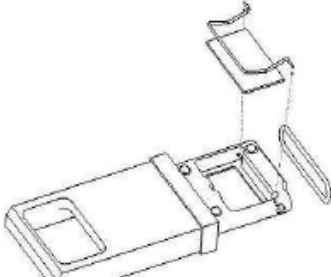
### 8.1.5 Purged Optical Path Window Cleaning

Before attempting to clean the Purged Optical Path (POP) window (note: there is also one below the torch on a Duo configuration instrument) turn off the plasma and allow thirty minutes for any hot areas to cool down.

Open the small access door next to the sample compartment door and withdraw the POP window assembly. Clean the POP window using a lint free cloth and clean water.

Description	Part Number
<b>2.20 POP Window assembly</b>	4301 172 20301 (complete)
POP Window	4301 168 50301
POP Foam Gasket	Supplied with Sampling O-Ring kit - 8423 120 51401

Note: Older instruments may have an 'o' ring or square foam gasket. The foam gasket has been found to provide the best purge.



Repeat the cleaning process using methanol then, when dry, re-insert the POP window into the fore optic assembly.

Warning: Do not open this access door when the plasma is running, there is a potential UV radiation hazard. All mirrors in the optical system are coated so be sure not to touch the mirror below the radial view POP window in the Duo configuration. ▲

If further cleaning is necessary, remove the quartz window from the POP window holder and soak in a 10 % acid solution for two hours (a mixture of nitric and hydrochloric acid is normally suitable). After acid soaking rinse in de-ionized water, then with a volatile, zero residue, organic solvent (propanol is suitable) to aid drying.

The radial view window (sometimes called sleeve or shot glass) below the torch on a Duo instrument can be treated in the same way.

