



Type 26100/M71000
Speci-Mix Aliquot Mixer
Full/ 1/2 Size

OPERATION MANUAL
AND PARTS LIST

Speci Mix

Model No.
M26125
M26120-33

1/2 Size Speci Mix

Model No.
M71015
M71010-33
M71010-33CN

Table of Contents

Safety information	3
Important Information.....	3
Alert Signals.....	3
Introduction.....	4
General Usage.....	4
Principles of Operation	4
Installation	4
General Specifications	5
Environmental Conditions	5
Declaration of Conformity	5
Operation	6
Precautions and Limitations.....	6
Maintenance and Servicing	7
General Cleaning Instructions	7
Exploded View	8
Replacement Parts Listing	9
Ordering Procedures	10
One Year Limited Warranty	11

Safety Information

Alert Signals

**Warning**

Warnings alert you to a possibility of personal injury.

**Caution**

Cautions alert you to a possibility of damage to the equipment.

**Note**

Notes alert you to pertinent facts and conditions.

Your Thermo Scientific Speci-Mix Test Tube Specimen Mixer has been designed with function, reliability, and safety in mind. It is your responsibility to install it in conformance with local electrical codes. For safe operation, please pay attention to the alert signals throughout the manual.

Important Information

This manual contains important operating and safety information. You must carefully read and understand the contents of this manual prior to the use of this equipment.

Introduction

**Note**

With a 240V/60 Hz power supply the speed is 20 rpm, with a 240V/50 Hz, 16.5 rpm.

The Speci-Mix Test Tube Specimen Mixer provides gentle but thorough mixing of in vitro diagnostic specimens. The specimens are placed in the grooves of the white silicone pad, which is mounted on the platform. The platform rocks at a constant speed to provide gentle and thorough mixing of test tube contents.

General Usage

Do not use this product for anything other than its intended usage.

Principles of Operation

A synchronous gear motor drives a cam and linkage assembly that is attached to the rocker plate, which rocks in a cyclic 48° maximum motion at 18 rpm.

Installation

Remove the Speci-Mix from the carton. Check electrical specifications and plug into a properly grounded receptacle.

General Specifications

<u>Model</u>	<u>Tube Capacity</u>	<u>Pad Dimensions</u>	<u>Volts</u>	<u>Amps</u>	<u>Hz</u>	<u>Watts</u>
M26125	16	4.5" x 12" (11.4 cm x 30.5 cm)	120	.04	50/60	3.5
M26120-33*	16	4.5" x 12" (11.4 cm x 30.5 cm)	220-240	.01	50/60	3
M71015	8	4.5" x 12" (11.4 cm x 30.5 cm)	120	.03	50/60	3
M71010-33*	8	4.5" x 12" (11.4 cm x 30.5 cm)	220-240	.01	50/60	3
M71010-33CN*	8	4.5" x 12" (11.4 cm x 30.5 cm)	220-240	.01	50/60	3

- Designed for continuous service
- Tube diameter range: 6mm-20mm
- Tube length limit: 150mm
- Maximum weight capacity of load: 1.25 pounds (.57 kg)

Environmental Conditions

Operating: 17°C - 27°C; 20% to 80% relative humidity, non-condensing. Installation Category II (over-voltage) in accordance with IEC 664. Pollution Degree 2 in accordance with IEC 664. Altitude limit: 2,000 meters.

Storage: -25°C to 65°C; 10% to 85% relative humidity.

Declaration of Conformity (-33 models only)

We hereby declare under our sole responsibility that this product conforms with the technical requirements of the following standards:

EMC:	EN 50081-1	Generic Emission Standard;
	EN 50082-1	Generic Immunity Standard;
Safety:	IEC 1010-1-92	Safety requirements for electrical equipment for measurement, control, and laboratory use; Part I: General Requirements

per the provisions of the Electromagnetic Compatibility Directive 89/336/EEC, as amended by 92/31/EEC and 93/68/EEC, and per the provisions of the Low Voltage Directive 73/23/EEC, as amended by 93/68/EEC.

The authorized representative located within the European Community is:
Electrothermal Engineering, Ltd.

Thermo Fisher Scientific
Robert-Bosch-Strasse 1, D-63505
Langenselbold, Germany

Copies of the Declaration of Conformity are available upon request.

Operation

Place tubes in the grooves of the white silicone pad. Center tubes for balanced mixing. On the side without ridges, the reversible pad will accept tubes over 125mm in length. The side with ridges will accept tubes less than 125mm in length. Turn the switch to the “on” position to start the mixing.



Warning

To avoid personal injury, do not use in the presence of flammable or combustible chemicals — fire or explosion may result. This device contains components that may ignite such materials.

Precautions and Limitations

1. Do not overload by weight. Loads over 1-1/4 pounds may cause jerky rocking action.
2. Wash white silicone pad with soap and water and rinse when needed to assure the friction-grip quality of the pad.



Note

If the equipment is used in a manner not specified by the manufacturer, the protection provided by the equipment may be impaired.

Maintenance and Servicing



Warning

To avoid electrical shock, always disconnect from power supply before maintenance and servicing. Refer servicing to qualified personnel.

1. The drive motor and linkage assembly do not require lubrication. The drive motor is impedance protected.
2. Jerky rocking action without a load indicates motor replacement is necessary.
3. Failure of the unit when plugged in and with the toggle switch in the "on" position indicates defective toggle switch, malfunctioning drive motor or disengaged linkage. Remove right end cap to observe.

General Cleaning Instructions

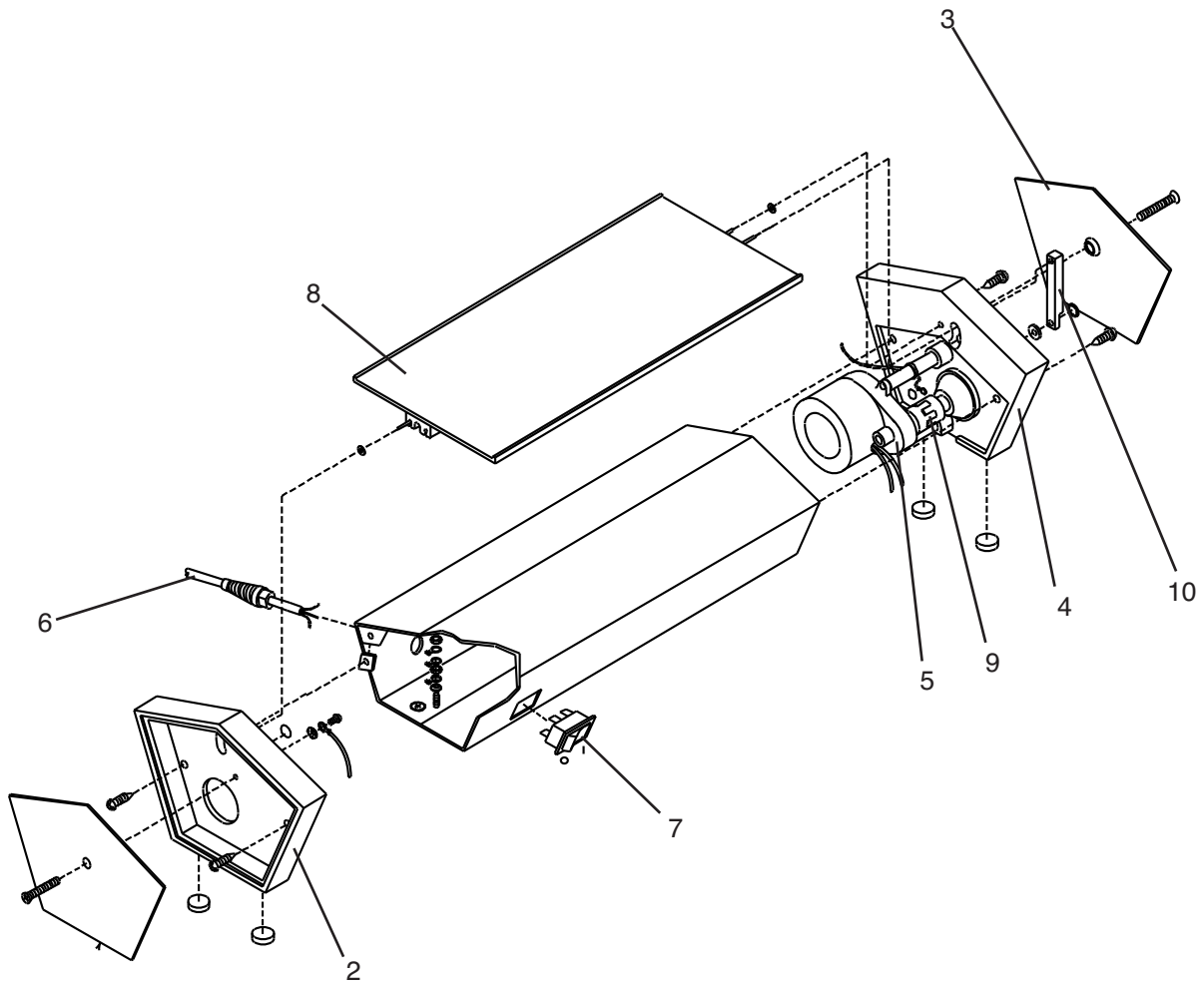
Wipe exterior surfaces with lightly dampened cloth containing mild soap solution.

Exploded View



Note

When ordering replacement parts, be sure to order by part number — not by key number.



M26120-33, M26120, M26125, series 1106

Replacement Parts



Warning

To avoid electrical shock, always disconnect from power supply before maintenance and servicing. Refer servicing to qualified personnel.

Model Type: M26100, Series 1107

Model Type: M26100, Series 1107

Product Name: Specì Mix Aliquot Mixer

Model Type: M71000, Series 1106

Model Type: M71000, Series 1106

Product Name: 1/2 Size Specì Mix Aliquot Mixer

Key	Part # (Qty)	Description
*	PT261X1	Silicone top tube holder
2	PT1106X4	End plate assembly
3	CV710X1A	End cover
4	PT1106X3	End plate assembly
5	MTX34	Motor (M26125)
	MTX35	Motor (M26120)
6	CR1105X1	Cord set (M26125)
	CR1105X2	Cord set (M26120-33)
7	SWX135	Switch (M26125)
	SWX136	Switch (M26120-33)
8	PT261X3B	Top rocker plate assembly
9	CUX4	Coupling
10	LN261X1	Link

Part # (Qty)	Description
PT532X2	Silicone top tube holder
PT1106X4	End plate assembly
CV710X1A	End cover
PT1106X3	End plate assembly
MTX34	Motor (M71015)
MTX35	Motor (M71010 and -33)
CR1105X1	Cord set (M71015)
CR1105X2	Cord set (M71010 -33)
CRM1855X1	Cord set (M71010-33CN)
SWX135	Switch (M71015)
SWX136	Switch (M71010-33)
PT532X1A	Top rocker plate assembly
CUX4	Coupling
LN261X1	Link

* Not shown on exploded view.

Ordering Procedures

Please refer to the Specification Plate for the complete model number, serial number, and series number when requesting service, replacement parts or in any correspondence concerning this unit.

All parts listed herein may be ordered from the **Thermo Scientific** dealer from whom you purchased this unit or can be obtained promptly from the factory. When service or replacement parts are needed we ask that you check first with your dealer. If the dealer cannot handle your request, then contact our Customer Service Department at 800-943-2006 or 800-926-0505

Prior to returning any materials, please contact our Customer Service Department for a "Return Materials Authorization" number (RMA). Material returned without an RMA number will be refused.

One Year Limited Warranty

This Thermo Scientific product is warranted to be free of defects in materials and workmanship for one (1) year from the first to occur of (i) the date the product is sold by the manufacturer or (ii) the date the product is purchased by the original retail customer (the "Commencement Date"). Except as expressly stated above, the MANUFACTURER MAKES NO OTHER WARRANTY, EXPRESSED OR IMPLIED, WITH RESPECT TO THE PRODUCTS AND EXPRESSLY DISCLAIMS ANY AND ALL WARRANTIES, INCLUDING BUT NOT LIMITED TO, WARRANTIES OF DESIGN, MERCHANT ABILITY AND FITNESS FOR A PARTICULAR PURPOSE.

An authorized representative of the manufacturer must perform all warranty inspections. In the event of a defect covered by the warranty, we shall, as our sole obligation and exclusive remedy, provide free replacement parts to remedy the defective product. In addition, for products sold within the continental United States or Canada, the manufacturer shall provide free labor to repair the products with the replacement parts, but only for a period of ninety (90) days from the Commencement Date.

The warranty provided hereunder shall be null and void and without further force or effect if there is any (i) repair made to the product by a party other than the manufacturer or its duly authorized service representative, (ii) misuse (including use inconsistent with written operating instructions for the product), mishandling, contamination, overheating, modification or alteration of the product by any customer or third party or (iii) use of replacement parts that are obtained from a party who is not an authorized dealer of Thermo Scientific products.

Heating elements, because of their susceptibility to overheating and contamination, must be returned to the factory and if, upon inspection, it is concluded that failure is due to factors other than excessive high temperature or contamination, the manufacturer will provide warranty replacement. As a condition to the return of any product, or any constituent part thereof, to the factory, it shall be sent prepaid and a prior written authorization from the manufacturer assigning a Return Materials Number to the product or part shall be obtained.

IN NO EVENT SHALL THE MANUFACTURER BE LIABLE TO ANY PARTY FOR ANY DIRECT, INDIRECT, SPECIAL, INCIDENTAL, OR CONSEQUENTIAL DAMAGES, OR FOR ANY DAMAGES RESULTING FROM LOSS OF USE OR PROFITS, ANTICIPATED OR OTHERWISE, ARISING OUT OF OR IN CONNECTION WITH THE SALE, USE OR PERFORMANCE OF ANY PRODUCTS, WHETHER SUCH CLAIM IS BASED ON CONTRACT, TORT (INCLUDING NEGLIGENCE), ANY THEORY OF STRICT LIABILITY OR REGULATORY ACTION.

For the name of the authorized Thermo Scientific product dealer nearest you or any additional information, contact us:

North America: USA/Canada +1 866 984 3766 (866-9-THERMO) www.thermo.com

Europe: Austria +43 1 801 40 0, Belgium +32 2 482 30 30, France +33 2 2803 2180, Germany national toll free 08001-536 376,

Germany international +49 6184 90 6940, Italy +39 02 02 95059 434-254-375, Netherlands +31 76 571 4440, Nordic/Baltic countries +358 9 329 100,

Russia/CIS +7 (812) 703 42 15, Spain/Portugal +34 93 223 09 18, Switzerland +41 44 454 12 12, UK/Ireland +44 870 609 9203

Asia: China +86 21 6865 4588 or +86 10 8419 3588, India toll free 1800 22 8374, India +91 22 6716 2200, Japan +81 45 453 9220,

Other Asian countries +852 2885 4613 Countries not listed: +49 6184 90 6940 or +33 2 2803 2180