

It is recommended to wait for the mains to be switched back on so that this safety device enables the lid to be unlocked. During rotation, the slightest leak from a sample is enough to create an aerosol. Rotation of the rotor can only be detected when the machine is switched on. Opening the lid manually if the rotor is still rotating, would disperse the aerosol in the environment. Rotating parts are also a risk as these could come in contact with the user or be ejected. There is particularly high risk of injury if:

- The user tries to manually stop the rotor,
- Any object falls inside the centrifugation chamber.

Manual lid opening procedure:

Manual lid unlocking must only be done by someone informed of the danger and of the necessary precautions to be undertaken. If the machine has stopped because of a mains power cut, the rotor could still be rotating. Wait 10 minutes before opening the lid. In spite of the absence of noise, the rotor could still be rotating when you need to open the lid manually. Even in the case of a mains power cut, always set the mains switch to the OFF position before carrying out this operation.

- Lift up the rubber mat.
- Insert the unlocking device into the hole on the top right of the instrument by piercing the protection sticker.
- While pressing down on the unlocking device, pull the lid lever forward.
- The lid opens upwards automatically.

The protection sticker must be replaced after it has been pierced.

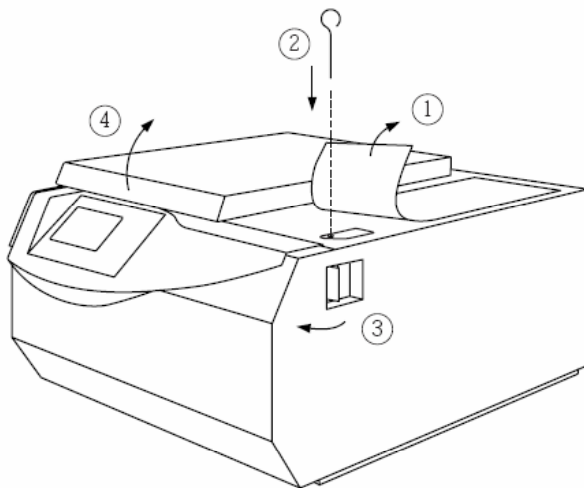


FIG. 2.2 - LID UNLOCKING