

## 2.7. Emergency Lid Opening

**WARNING!** Never attempt to open the lid manually while the rotor is still spinning.

Confirm that rotor has stopped spinning by looking through the round window in the middle of the lid.

Disconnect power cord before using the following Emergency Lid Opening Procedure.

## 2.8. Accidental Lid Opening during Run

If the lid opens during a run, the microprocessor will flash the LID error message. Before lifting the lid, confirm that the rotor has come to a full stop by looking through the round window in the middle of the lid.

In case of a prolonged power failure or defect, the LID button can not be used to open the lid. The locked cabinet lid can be opened manually as follows:

1. Disconnect the power cord before using the emergency lid opening procedure.
2. Make sure the rotor is fully stopped by looking through the round lid window.
3. Insert two rods into the access holes on both side panels (See Figure 7) and unlock the lid, one side at a time.

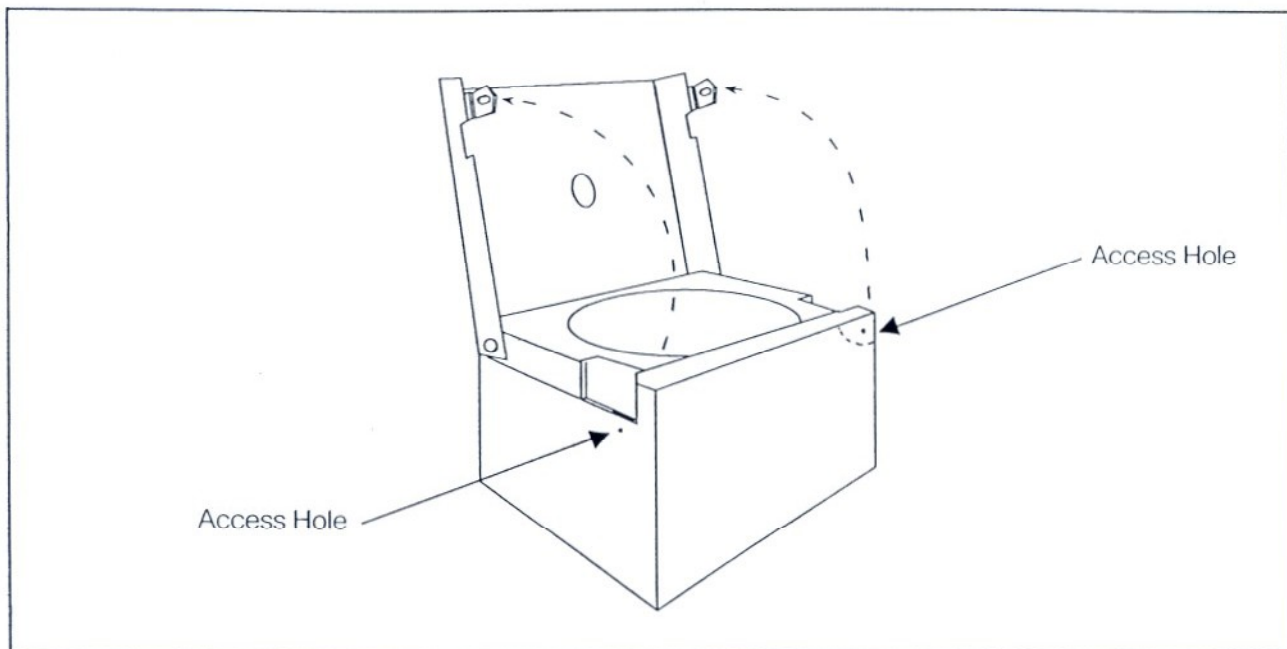


Figure 7. Emergency Lid Opening

*Not to be used while rotor is still spinning!*