

**WARNING**

(1) **ELECTRICAL HAZARD. High voltage components are exposed when the console panel is opened.** Set the main power switch OFF and unplug the centrifuge power cord before beginning this procedure. Do this to avoid electrical shock and injury if the power is restored.

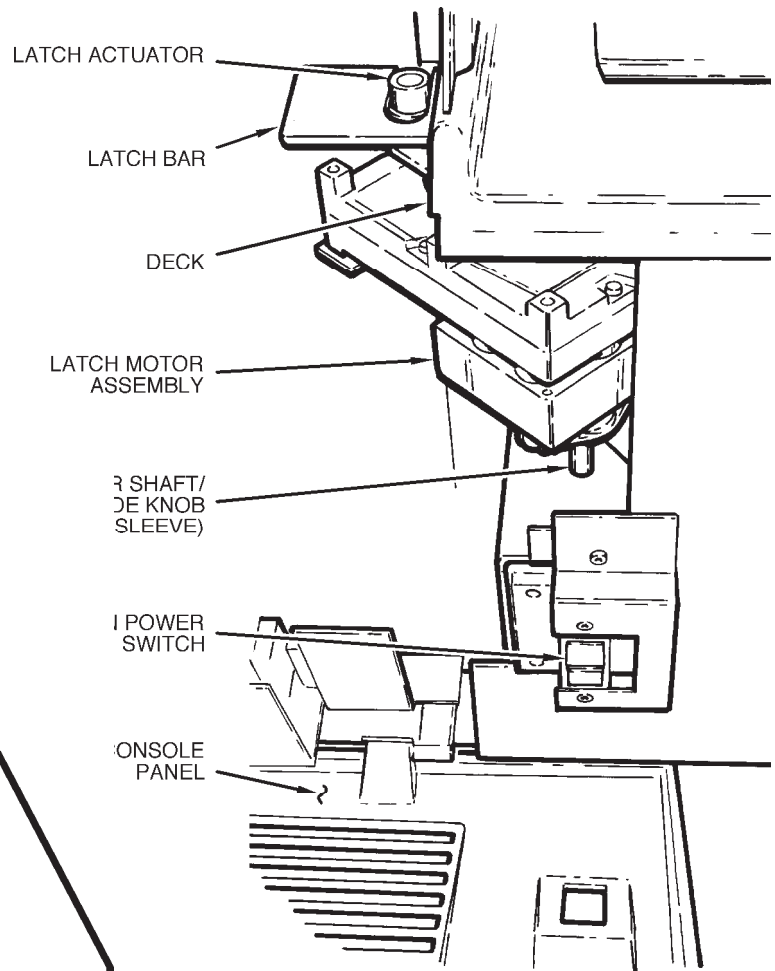
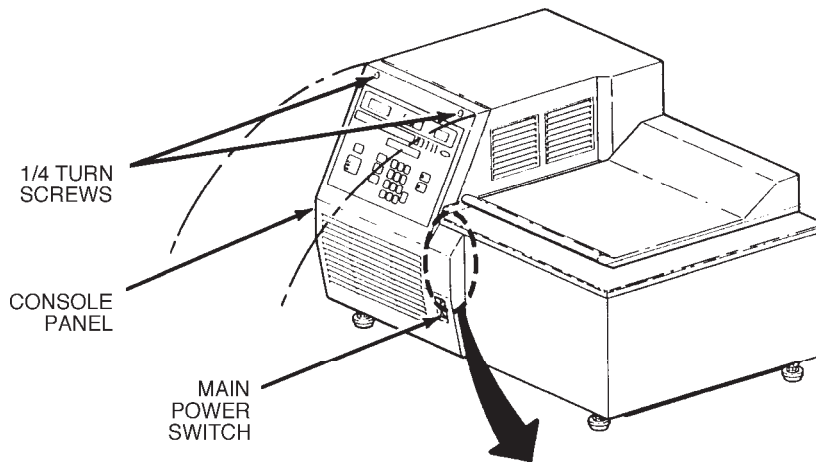
(2) Wait at least 25 minutes after the power failure before you perform this procedure. If you wait less than 25 minutes, the rotor may still be spinning when you unlatch the chamber door. Reaching into the chamber while the rotor is spinning, or a rotor failing while the door is unlatched, could result in a serious or fatal injury.

Emergency Sample Recovery

This procedure describes how to unlatch the chamber door when there is a power failure. Refer to figure 6-1.

1. Wait at least 25 minutes for the rotor to come to a stop. Then, set the main power switch OFF and unplug the centrifuge power cord. **Read the WARNING.**
2. To loosen the console panel, turn the two 1/4-turn fasteners at the top of the panel counterclockwise with a flat blade screwdriver.
3. Lift the console panel slightly and pull it down and toward you. A tether will limit the amount that the console can be opened.
4. Locate the latch motor assembly, then find the motor shaft/override knob (it is covered with a plastic sleeve). Spin the knob (either direction) with your finger until the door unlatches. The chamber door can be opened when the latch actuator is halfway under the top deck of the centrifuge.
5. Push the console panel up and back into its original position. Refasten the 1/4-turn fasteners that hold the console in place.
6. Plug the centrifuge power cord back into the electrical outlet.

IMPORTANT
 ELECTRICAL HAZARD. Unplug power cord before opening console to access override (see WARNING in step 1, on preceding page).



INTERLOCK OVERRIDE TOP VIEW

DECK
 LATCH ACTUATOR
 LATCH BAR
 LATCHED POSITION
 UNLATCHED POSITION (APPROXIMATE)

As you rotate the motor shaft, the latch actuator bar will come around slowly, moving the latch bar to the right.

You should be able to open the chamber door when the actuator is approximately half-way under the edge of the deck (about 90° from its starting point).

Figure 6-1. Emergency Sample Recovery