

## Emergency Sample Recovery



### WARNING

This procedure is included for **emergency sample recovery only**. Because of the high voltages in the centrifuge, never use this procedure to gain access to internal components for any other purpose.

There are certain instances when vacuum may not release automatically and the chamber door will not open. When the power fails, the chamber will maintain a partial vacuum and the rotor will safely coast to a stop if power is not restored. In this instance, vacuum must be released manually.

When a system malfunction occurs, the diffusion pump will shut off, but the main vacuum pump will continue to operate. Wait until the rotor has coasted to a stop, then turn the power switch off and back on. This will release the vacuum for all malfunctions except **HOT DRIVE FLUID**. In this case, leave the power switch off and release the vacuum manually.

## Manual Vacuum Release

Release vacuum as follows:

1. Raise the top deck and secure with the support rod.
2. Remove the four screws that secure the front cabinet panel in place. Remove the front panel.
3. Locate the vacuum release solenoid valve, then turn the vacuum release screw clockwise (see figure 3-1). Air will begin to enter the chamber.
4. When the air in the chamber has reached atmospheric pressure (hissing noise will stop), turn the vacuum release solenoid valve screw fully counterclockwise.



### CAUTION

Unplug the centrifuge. Before releasing the vacuum manually, make sure the rotor has stopped spinning and that the diffusion pump has cooled sufficiently (approximately 30 minutes) to avoid damage to the pump.

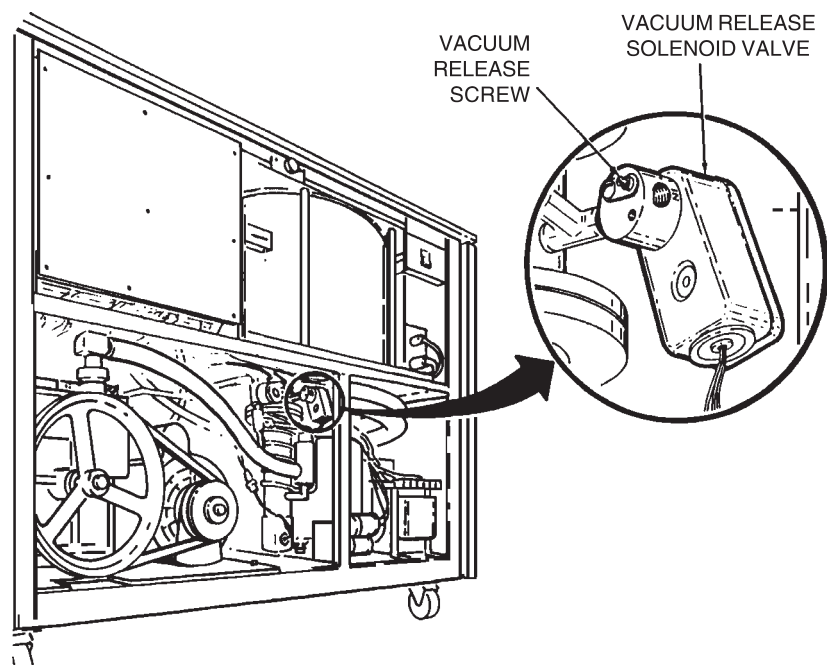


Figure 3-1. Vacuum Release Solenoid Valve Location

## Door Interlock Override

After the vacuum has been released, place your finger underneath the spring-loaded counterweight on the door interlock solenoid assembly (see figure 3-2). Push up on the counterweight while you slide the chamber door open with your other hand. Remove the rotor from the chamber. Replace the front cabinet panel and close the top deck.

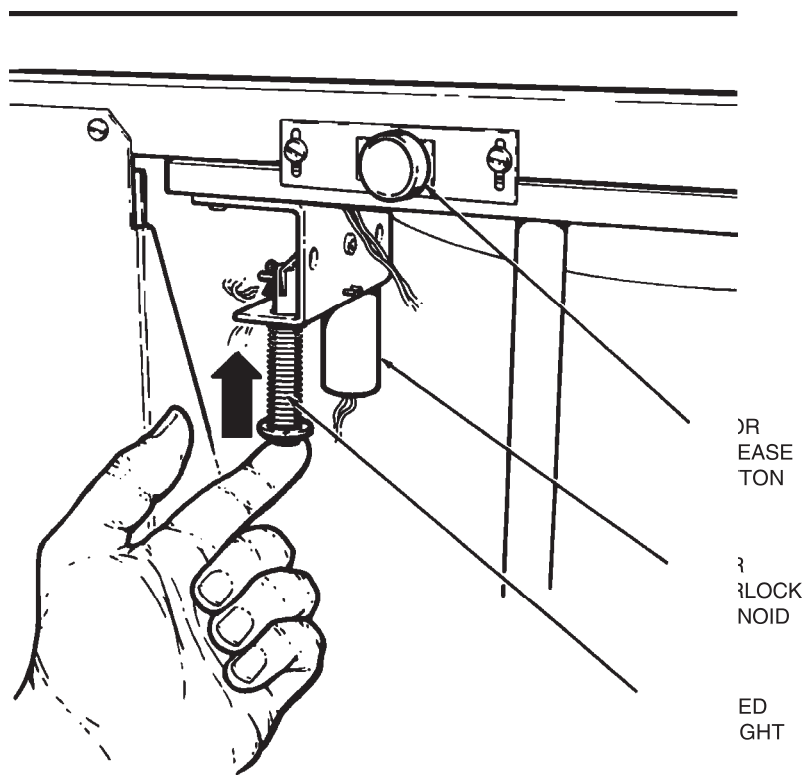


Figure 3-2. Door Interlock Solenoid Assembly