

Thermo Scientific Thermolyne Furnace Small Benchtop Muffle/ Type FB1300 and FB1400

Installation and Operation Manual

LT1256X1

Revision. H

September, 2022

© 2022 Thermo Fisher Scientific Inc. All rights reserved.

Thermo Fisher Scientific Inc. provides this document to its customers with a product purchase to use in the product operation. This document is copyright protected and any reproduction of the whole or any part of this document is strictly prohibited, except with the written authorization of Thermo Fisher Scientific Inc.

The contents of this document are subject to change without notice. All technical information in this document is for reference purposes only. System configurations and specifications in this document supersede all previous information received by the purchaser.

Thermo Fisher Scientific Inc. makes no representations that this document is complete, accurate or error-free and assumes no responsibility and will not be liable for any errors, omissions, damage or loss that might result from any use of this document, even if the information in the document is followed properly.

This document is not part of any sales contract between Thermo Fisher Scientific Inc. and a purchaser. This document shall in no way govern or modify any Terms and Conditions of Sale, which Terms and Conditions of Sale shall govern all conflicting information between the two documents.

Release history:

For Research Use Only. Not for use in diagnostic procedures.

Contents

Chapter 1	Safety Information	3
	Alert Signals	4
	Important Information	4
	Warnings	4
	Warning	5
Chapter 2	Introduction	7
	Intended Use	8
	General Usage	8
	Principles of Operation	8
Chapter 3	General Specification	9
	FB1300 Models	9
	FB1400 Models	10
	Environmental Conditions	10
Chapter 4	Unpacking	11
Chapter 5	Installation	13
	Site Selection	14
	Electrical Connections	14
	FB1300 and FB1400 Models	14
Chapter 6	Operation, All Models	15
	Power Switch	16
	Cycle Light shown on the display	16
	Door Safety Switch	16
Chapter 7	Single Setpoint Controller	17
	Eurotherm 3216 Controller Operation	18
	Basic Operation	18
	Buttons and Indicators	19
	To change the Setpoint	19
	To View the Display Units	19
	Controller Parameters	19
	Alarms	20
	Sensor Break Protection	20

Over – Temperature Protection (OTP)	20
Tuning	21
Functions	22
Program Overview	23
SetPoint Rate Limit Setup	23
Running the Program	24
Holding the Program	24
Stopping the Program	24
Clearing the Flashing End	24
Verifying a Running Program	24
Chapter 8 Furnace Loading	25
Chapter 9 Preventive Maintenance	27
General Cleaning Instructions	27
Chapter 10 Maintenance and Servicing	29
To Replace a Heating Element	30
To Replace Thermocouple	32
To Replace Insulation	33
To Replace Door Switches	34
To Replace Solid State Relay	34
To Replace Controller	35
Chapter 11 Troubleshooting	37
Chapter 12 Replacement Parts List	39
Chapter 13 Ordering Procedures	41
Chapter 14 Wiring Diagrams	43
FB 1400 models	44
FB1300 models	45
Chapter 15 Exploded View	47
Chapter 16 Regulatory Compliance	49
Product Safety	49
Electromagnetic Compatibility	49
Additional Regulations & Markings	50
WEEE Compliance	52

Safety Information

Contents

- “Alert Signals” on page 4
- “Important Information” on page 4
- “Warnings” on page 4
- “Warning” on page 5

Alert Signals



Warnings alert you to a possibility of personal injury.



Cautions alert you to a possibility of damage to the equipment.



Notes alert you to pertinent facts and conditions.



Hot surfaces alert you to a possibility of personal injury if you come in contact with a surface during use or for a period of time after use.

Important Information

Your Thermo Scientific Thermolyne Type FB1300 Model or FB1400 Model Furnace has been designed with function, reliability and safety in mind. It is your responsibility to install it in conformance with local electrical codes. For safe operation, please pay attention to the alert signals throughout the manual.

This manual contains important operating and safety information.

You must carefully read and understand the contents of this manual prior to the use of this furnace. If the equipment is used in a manner not specified by the manufacturer, protection provided by the equipment may be impaired.

Warnings

To avoid electrical shock, this furnace must:

1. Use a properly grounded electrical outlet of correct voltage and current handling capacity.
2. Be disconnected from the power supply prior to maintenance and servicing.
3. Have the door switch operating properly.

To avoid burns, this furnace must:

Caution: Hot Surface - Avoid Contact. To avoid burns, do not touch the exterior or interior surfaces of this furnace during use or for a period of time after use.

To avoid personal injury:

1. Do not use in the presence of flammable or combustible materials; fire or explosion may result. This device contains components which may ignite such material.

2. Refer servicing to qualified personnel.
3. Always wear safety glasses or a safety shield and high temperature gloves when loading or unloading the furnace. Long sleeved, fire retardant clothing and a fire retardant apron is also recommended.

Warning

This warning is presented for compliance with California Proposition 65 and other regulatory agencies and only applies to the insulation in this product. This product contains refractory ceramic, refractory ceramic fiber or fiberglass insulation, which can produce respirable dust or fibers during disassembly. Dust or fibers can cause irritation and can aggravate pre-existing respiratory diseases. Refractory ceramic and refractory ceramic fibers (after reaching 1000°C) contain crystalline silica, which can cause lung damage (silicosis). The International Agency for Research on Cancer (IARC) has classified refractory ceramic fiber and fiberglass as possibly carcinogenic (Group 2B), and crystalline silica as carcinogenic to humans (Group 1).

The insulating materials can be located in the door, the hearth collar, in the chamber of the product or under the hot plate top. Tests performed by the manufacturer indicate that there is no risk of exposure to dust or respirable fibers resulting from operation of this product under normal conditions. However, there may be a risk of exposure to respirable dust or fibers when repairing or maintaining the insulating materials, or when otherwise disturbing them in a manner which causes release of dust or fibers. By using proper handling procedures and protective equipment you can work safely with these insulating materials and minimize any exposure. Refer to the appropriate Material Safety Data Sheets (MSDS) for information regarding proper handling and recommended protective equipment. For additional MSDS copies, or additional information concerning the handling of refractory ceramic products, please contact the Customer Service Department at 1-800-438-4851.

1 Safety Information
Warning

Introduction

Contents

- “Intended Use” on page 8
- “General Usage” on page 8
- “Principles of Operation” on page 8

Intended Use

The Type FB1300 Model and FB1400 furnaces are general purpose laboratory and heat treating furnaces. For optimum element life, we recommend observing these temperature ranges: from 100°C (212°F) to 982°C (1800°F) for continuous use, or from 982°C (1800°F) to 1100°C (2012°F) for intermittent use. Continuous use is operating the furnace for more than 3 hours and intermittent use is operating the furnace for less than 3 hours.

The unit consists of a heating chamber and a digital controller.

General Usage

Do not use this product for anything other than its intended usage.

Principles of Operation

The furnace chamber is heated by a single three section resistant heater which is embedded in a refractory material. The chamber is insulated with ceramic fiber insulation. The temperature is controlled by an electronic control. The temperature is measured by a thermocouple and is registered on a digital display. For safety, door switches are incorporated to remove power from the heating elements when the door is opened. The furnace is supported by the control section which also houses the electrical connections.

General Specification

FB1300 Models

Dimensions: (handle not included)

Chamber: 4" W x 3.75" H x 4.5" D (10.2 x 9.5 x 11.4 cm)

Overall : 7.9" W x 13.8" H x 8.5" D (20.0 x 34.9 x 21.6cm)

Chamber volume: 76 cu. in. (1.3 liters)

Weight: 15.7 lb. (7.1 kg)

Electrical Ratings:

Model #	Volts	Amps	Watts	Phase	Frequency
FB1310	220-240	4.4	1060	1	50/60
FB1310M-26	220-240	4.4	1060	1	50/60
FB1310M-33	220-240	4.4	1060	1	50/60
FB1310M-33CN	220-240	4.4	1060	1	50/60
FB1310M-33CH	220-240	4.4	1060	1	50/60
FB1310M-33UK	220-240	4.4	1060	1	50/60
FB1314M	100	10.6	1060	1	50/60
FB1315M	120	8.9	1060	1	50/60
FB1318M	208	5.1	1060	1	50/60

Temperature: Operating Range (continuous): 982°C; (intermittent): 1100°C.

FB1400 Models

Dimensions: (handle not included)

Chamber: 5.00" W x 4.25" H x 6.00" D (12.7 x 10.8 x 15.2 cm)

Overall: 9.7" W x 15.8" H x 11.1" D (24.6 x 39.0 x 28.3cm)

Chamber volume: 129 cu. in. (2.1 liters)

Weight: 23 lb. (10.4 kg)

Electrical Ratings:

Model #	Volts	Amps	Watts	Phase	Frequency
FB1410	220-240	6.3	1520	1	50/60
FB1410M-26	220-240	6.3	1520	1	50/60
FB1410M-33	220-240	6.3	1520	1	50/60
FB1410M-33CN	220-240	6.3	1520	1	50/60
FB1410M-33CH	220-240	6.3	1520	1	50/60
FB1410M-33UK	220-240	6.3	1520	1	50/60
FB1414M	100	14.5	1520	1	50/60
FB1415M	120	12	1520	1	50/60
FB1418M	208	7.3	1520	1	50/60

Temperature: Operating Range (continuous): 982°C; (intermittent): 1100°C.

Environmental Conditions

Operating: 17°C to 27°C; 20% to 80% relative humidity, non-condensing. Installation Category II (overvoltage) in accordance with IEC 664. Pollution degree 2 in accordance with IEC 664.

Altitude Limit: 2,000 meters.

Storage: -25°C to 65°C; 20% to 80% relative humidity.

Unpacking

1. Visually check for any physical damage to the shipping container.
2. Inspect the equipment surfaces that are adjacent to any damaged area.
3. Open the furnace door and remove the packing material from inside the furnace chamber.
4. Vacuum the chamber prior to use to remove the insulation dust due to shipment.
5. Retain the original packaging material if reshipment is foreseen or required.

4 Unpacking

Installation

Contents

- “Site Selection” on page 14
- “Electrical Connections” on page 14
- “FB1300 and FB1400 Models” on page 14



Be sure ambient temperature does not exceed 40°C (104°F). The recommended ambient temperature is 17°C - 27°C. Ambient above this level may result in damage to the controller.



Allow at least six inches of space between the furnace, at least 40 inches above the furnace and any combustible surface. This permits the heat from the furnace case to escape so as not to create a possible fire hazard.



To avoid electrical shock, this furnace must always use a properly grounded outlet of correct voltage and current handling capacity.

Site Selection

Install furnace on a sturdy surface and allow space for ventilation.

Electrical Connections

1. The electrical ratings are located on the specification plate on the back of the furnace. Consult customer service if your electrical service is different than those listed on the specification plate. Be sure the front power switch is in the OFF position before connecting the furnace to your electrical supply.

FB1300 and FB1400 Models

Electrical Conditions for operating the furnaces in the EU:

The furnaces are intended for use at a network supply with a maximum system impedance of Z_{max} at the point of connection, according to EN 61000-3-11 clause 6.2.2. The user has to ensure that the device is operated on a network supply that meets these requirements. If necessary, the system impedance can be confirmed by the energy supplier.

The system impedance at the point of connection is typically less than 0.2 Ohm.

Unit	Z_{max} [Ω]
FB1310M-33	0,28
FB1310M-33CN	0,28
FB1310M-33CH	0,28
FB1310M-33UK	0,28
FB1410M-33	0,34
FB1410M-33CN	0,34
FB1410M-33CH	0,34
FB1410M-33UK	0,34

Operation, All Models

Contents

- “Power Switch” on page 16
- “Cycle Light shown on the display” on page 16
- “Door Safety Switch” on page 16



To avoid personal injury do not use in the presence of flammable or combustible chemicals; fire or explosion may result. This device contains components which may ignite such materials.



Caution: Avoid Contact. To avoid burns, this furnace must not be touched on the exterior or interior surfaces during use or for a period of time after use.



Always wear safety glasses or a safety shield and high temperature gloves when loading or unloading the furnace. Long sleeved, fire retardant clothing and a fire retardant apron is also recommended.



To avoid electrical shock, the door safety switch must be operating properly.

Power Switch

Both the ON/OFF power switch and the digital display will illuminate when power is switched ON. The furnace will begin to heat to its controller's current setpoint. (See the instructions for your type of controller for information on checking and setting the setpoint.)

Cycle Light shown on the display

The cycle light will illuminate whenever the power is being applied to the heating elements. The cycle light will turn on and off as the furnace reaches the setpoint.

Door Safety Switch

The door safety switch removes power from the heating elements when the door is opened. Open and close the door a few times; Note an acoustic click of the switch during opening and closing of the door. If this condition is not true, consult the Troubleshooting section before proceeding. This check must be done when the furnace is heating and the cycle light on the display is illuminated.

Single Setpoint Controller

Contents

- “Eurotherm 3216 Controller Operation” on page 18
- “Basic Operation” on page 18
- “Buttons and Indicators” on page 19
- “To change the Setpoint” on page 19
- “To View the Display Units” on page 19
- “Controller Parameters” on page 19
- “Alarms” on page 20
- “Sensor Break Protection” on page 20
- “Over – Temperature Protection (OTP)” on page 20
- “Tuning” on page 21
- “Functions” on page 22
- “Program Overview” on page 23
- “SetPoint Rate Limit Setup” on page 23
- “Running the Program” on page 24
- “Holding the Program” on page 24
- “Stopping the Program” on page 24
- “Clearing the Flashing End” on page 24
- “Verifying a Running Program” on page 24

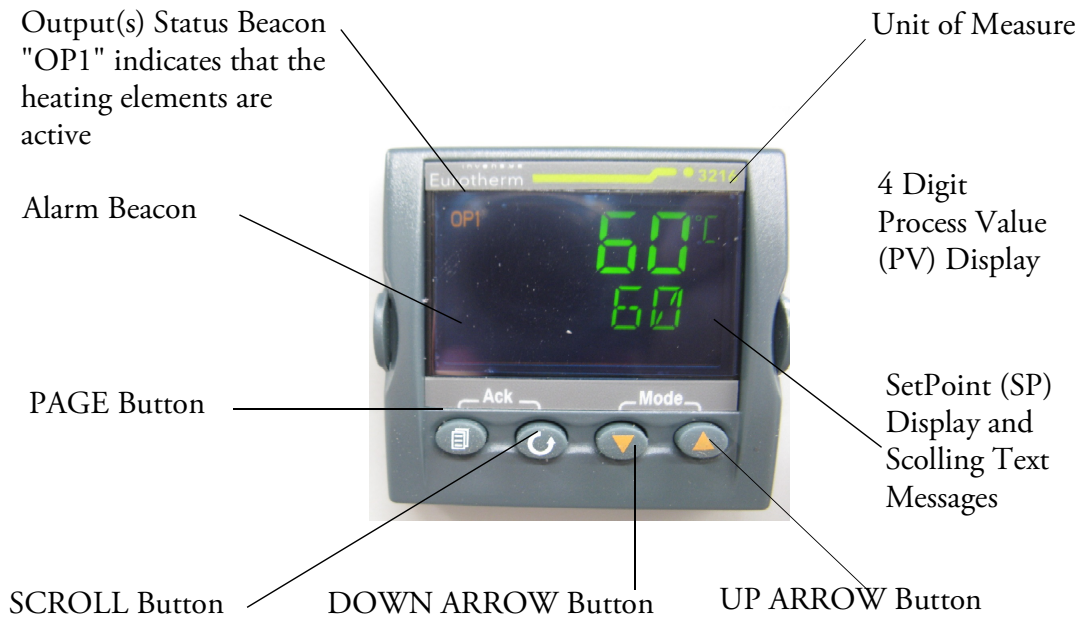
Eurotherm 3216 Controller Operation

The single setpoint model w/OTP furnace controller is a single setpoint controller, which provides a single digital display to indicate the current chamber temperature or setpoint temperature.

This temperature controller features sensor break protection, self-tuning capability and over temperature protection (OTP) with an additional OTP relay device.

Basic Operation

When the controller is turned ON it will perform a short self-test and then display a default page. The measured value (process value) is found in the upper display and the setpoint is found in the lower display.



NOTE

If at any time you want to return to the HOME DISPLAY, press PAGE button.

Buttons and Indicators

OP1 (Output 1): Illuminates when the output is ON (normally heating). The cycle light on the display will turn on and off as the furnace reaches the setpoint.

OP2 (Output 2): Illuminates when the output is ON (normally cooling).

OP4 (Output 4): Illuminates when the AA relay output is ON (will go on during an alarm situation).

PAGE button: Allows you to select a new list of parameters.

SCROLL button: Allows you to select a parameter within a list of parameters.

DOWN button: Allows you to decrease a value.

UP button: Allows you to increase a value.

To change the Setpoint

If you want to change the setpoint, press the **SCROLL** button until “**SP1**” is displayed. Press the UP or DOWN button until the desired setpoint value is displayed and then release the button. A few seconds after the button is released, the controller will accept the new value and is indicated by a brief flash of the display. Press **PAGE** button to return to HOME DISPLAY.

To View the Display Units

Press **SCROLL** until “**UNITS**” is displayed. The temperature units are also shown on the HOME DISPLAY to the right of the measured value (process value).

Temperature Units can be changed by pressing up and down buttons. Choice of Celsius (°C), Fahrenheit (°F), Kelvin (°K), Percentage (%), or None (nonE).

Controller Parameters

Home Display

°C, °F, °K, %, or None: Temperature units in Celsius (default), Fahrenheit, Kelvin, Percentage (PErc), or None (nonE).

A1.DHI: Deviation high alarm.

A2.HI: High Limit alarm. Read Only.

A3.LO: Low Limit alarm. Read Only.

A.TUNE (tune): One-shot autotune enable.

WRK.OP: Working Output power. Read Only.

PV.OFS: Process Value Offset. Read Only.

SP.RAT: Ramp Rate Setpoint (default units is minutes).

RAMP.U: Ramp Unit of measure (seconds, minutes and hours).

DWELL: Time for dwell or delay (default units is minutes).

T.STAT: Timer Status. Active only when timer is active.

TM.CFG: Timer configuration.
TM.RES: Timer Resolution (minutes and hours).
THRES: Timer start threshold (default is OFF).
END.T: Timer End Type (default is DWELL).

Pid List

Pb: Proportional band (in display units).
ti: Integral time in seconds.
td: Derivative time in seconds.
ACCESS List Code: Access code (Code needed to enter or change the other configuration parameters which are not normally accessible). Not accessible.

Alarms

The controller will flash an alarm message in the home display if an alarm condition is detected.

A2.HI: Measured value full scale high alarm.

A1.DHI: Measured value deviation high alarm.

S.br: Sensor break: check that sensor is connected correctly.

LBR: Loop break: check that the heating circuits are working properly.

Ld.F: Heater Circuit fault: indication of either an open or short solid state relay, a blown fuse, missing supply or open circuit heater.

Sensor Break Protection

This controller provides sensor break protection in the event the thermocouple opens. If an open thermocouple condition occurs, the digital display will blink “S.br” and the power to the heating element will be shut OFF (Cycle light on the display will extinguish).

Over – Temperature Protection (OTP)

The OTP will be in effect during any alarm condition when the temperature of the furnace has deviated beyond the limit. The “Deviation High” alarm is the only alarm value, which can be changed. To change it, press the SCROLL button until “1dHi” appears on the display. Press the UP or DOWN button to select the OTP value you desire. We recommend a value of 20° above your working temperature to provide protection for your workload.

In addition to over-temperature protection, units containing a single setpoint controller w/OTP feature a mechanical OTP relay device, which disconnects power from the elements in an alarm condition.

Tuning

This controller incorporates a self-tuning feature, which determines the optimum control parameters for the best temperature accuracy with your load and setpoint. Use this feature the first time you use your furnace and each time you change either your setpoint or the type of load you are heating. Thermo Fisher Scientific recommends you use this feature to provide the best temperature accuracy the controller can attain. To use the tuning feature:

1. Start tuning with the process at ambient temperature. This allows the tuner to calculate the low cutback and high cutback values more accurately.
2. Adjust the setpoint to your desired value.
3. Press the SCROLL button until display reads, "A.TUNE."
4. Press the UP or DOWN button to select, "on."
5. Press the PAGE button to return to the HOME DISPLAY. The display will alternately flash between "tunE" and the HOME DISPLAY while tuning is in progress.
6. The controller will then turn the heating on and off to induce an oscillation. When the measured value reaches the required setpoint the first cycle will end.
7. Tuning will be complete after two oscillation cycles and then the tuner will turn itself off.
8. Normal control function will resume after the controller calculates tuning parameters.

NOTE

Furnace must be at ambient temperature before starting a tune. "Stat" and "Sp.rr" must be set to OFF or "tunE" will not initiate.

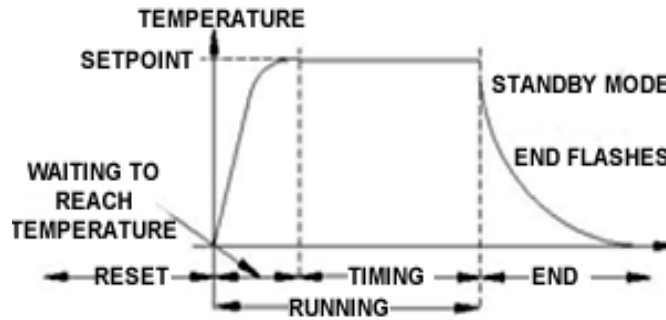
NOTE

Tune has completed when "tunE" stops flashing on display.

Functions

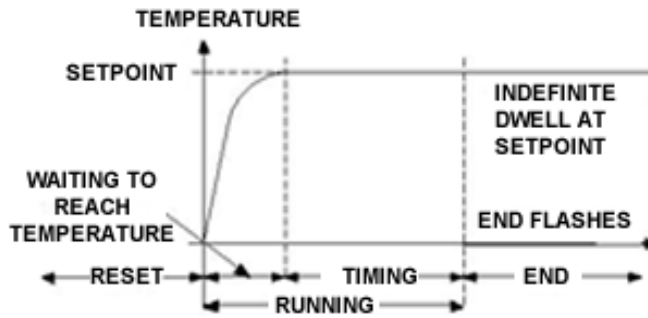
This type of controller has two step ramp and dwell programming capabilities. The Ramp and Dwell can be configured to three different modes.

1. **Mode 1 (DWELL)** The dwell time begins once the setpoint reaches the set threshold. The END TYPE action is executed when the dwell timer reaches the end.



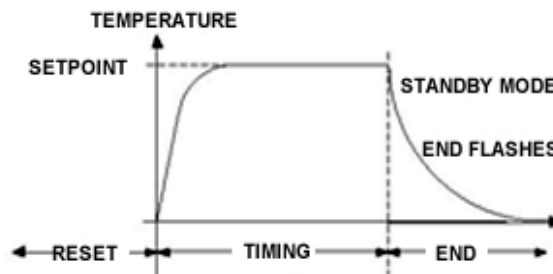
MODE 1 (OPT. 1)

2. **Mode 2 (DELY)** The timer starts immediately upon instrument power-up or, when run is selected. The instrument remains in standby until the time has elapsed. After the time has elapsed, the instrument controls up to setpoint.



MODE 2 (OPT. 2)

3. **Mode 3 (SE.ST)** Starts automatically on power up. This is a soft-start function. If the PV is below the Soft Start Threshold, then the power is limited to the Soft Start Limit until the threshold is met.



MODE 3 (OPT. 3)

Program Overview

- A program mode can be set by changing the “TM.CFG” variable (in the ‘Timer’ menu) to “DWEL, DELY, or SF.ST.

NOTE

The program must be stopped and the controller must be displaying the actual temperature before beginning the Setup.

- A Ramp rate may be set by changing the “SP.RAT” variable (in the ‘SP’ menu) to a value. The Ramp rate units are set with the “RAMPU” variable (in the ‘SP’ menu). The selections are Hour / Min / Sec.
- The Dwell time can be set by changing the “DWELL” variable (in the ‘Timer’ menu) to the desired value. Dwell time units are set with the “TM.RES” variable (in the ‘Timer’ menu). The selections are Hour / Min.
- The program Status can be set by changing the “T.STAT” variable to “run”, “hold”, or “res.” This variable will start, hold, or stop the program.”
- The Timer End Type can be set by changing the “END.T” to one of the four options:
 - ▶ **OFF** - When the timer completes its dwell, the instrument will be put into Standby mode. The output power will be set to 0%, and the standard home display will display PV and OFF instead of setpoint.
 - ▶ **DWELL** - When the timer completes, the controller will continue to control at setpoint.
 - ▶ **SP2** - When the timer completes the target setpoint will switch to setpoint 2. The setpoint 2 may be a lower or a higher temperature.
 - ▶ **Reset (rES)** - The timer or program will reset on completion, reverting to the setpoint used at the point it was started.

NOTE

The above four options is to set what is expected of the unit to do once the program is complete.

For example, if it is desired for the controller to stop doing anything at all once the timer is finished, set End.T to OFF. If it is desired to revert back to the ambient temp setpoint at which the program started, set END.T to rES.

SetPoint Rate Limit Setup

1. Press the **SCROLL** button until the “**SP.RAT**” (Ramp Rate) is displayed.
2. Set the desired Ramp rate with the UP or DOWN buttons, if the ramp to setpoint feature is needed. **If the Ramp rate is not needed, then set to “OFF”** with the UP or DOWN buttons.
3. Press the **SCROLL** button until “**TM.CFG**” (Ramp & Dwell mode) will be displayed, select the desired mode with the UP or DOWN buttons. (DWEL, DELY, or SF.ST).
4. Press the **SCROLL** button until “**DWELL**” will be displayed set the desired Dwell time with the UP or DOWN buttons.
5. Press the **PAGE** button and **SCROLL** button together until the Actual temperature is displayed.

Running the Program

1. Press the **SCROLL** button until “**T.STAT**” is displayed, set to “**run**” with the **UP** or **DOWN** buttons; or from the HOME DISPLAY, press **UP** and **DOWN** arrows together.
2. Press the **PAGE** button to display Actual temperature.

Holding the Program

1. Press the **SCROLL** button until “**T.STAT**” is displayed, set to “**hold**” with the **UP** or **DOWN** buttons; or from the HOME DISPLAY, press **UP and DOWN** arrows together.
2. Press the **PAGE** button to display Actual temperature.

Stopping the Program

Press the **SCROLL** button until “**T.STAT**” is displayed, set to “**res**” with the **UP** or **DOWN** buttons.

Clearing the Flashing End

Press the **PAGE** and **SCROLL** buttons at the same time.

It can also be cleared by pressing and holding the **UP** and **DOWN** arrows simultaneously until A-M (Auto/Manual) is displayed. Then select “**Auto**” and unit will clear program and revert to normal operation.

Verifying a Running Program

Press the **SCROLL** button until “**T.SAT**” is displayed. The display will show “**run**” if the program is running, “**hold**” if it is paused or “**res**” if it is not running. Press the **PAGE** button to display Actual temperature.

Furnace Loading

For best results, use only the center two-thirds of the furnace chamber.



Do not overload your furnace chamber. If the load is to be heated uniformly, it should not occupy more than two-thirds of the furnace chamber. Failure to observe this caution could result in damage to furnace components.

- For best results of furnace loading, use less than two-thirds of any dimension of the chamber. Maintain a 3/4" clearance between the load and the sides of the chamber.
- If you are heating a number of small parts, spread them throughout the center of the furnace chamber.
- Keep objects away from thermocouple.
- Raise your load up off the furnace floor with small pieces of ceramic or a hearth plate to promote even heating.
- Use insulated tongs and mittens when loading and unloading furnace.
- Always wear safety glasses.

Preventive Maintenance



Before using any cleaning or decontamination method except those recommended by the manufacturer, users should check with customer service that the proposed method will not damage the equipment.



Disconnect the furnace from power supply before cleaning.



Opening the door for an extended period of time will cause the painted surfaces above the door to be discolored or burnt.

Contamination is a major cause of element failure, therefore, when possible, removes the fume forming material before heating (e.g., cleaning cutting oil from tool steel).

The resistance wire is high-grade nickel-chromium. Some chemicals notably sulphur, halogens, and cyanides, attack this wire at high temperatures, so avoid spilling these chemicals in the furnace or heating them any hotter than necessary. The refractory cement helps to protect the wire, but will not completely immunize it from damage. All heating elements must be considered expendable, and replacement is expected; however, reasonable care in their use will greatly extend the service they will give. As the manufacturer has no control over the use or care of the elements, no specific service guarantee can be made.

Housekeeping is vital to your electric furnace – KEEP IT CLEAN. Run your furnace up to 871°C (1600°F) empty occasionally to burn off the contamination that may exist on the insulation and elements. Run for approximately two hours with the door slightly open. See warning.

Element life is reduced somewhat by repeated heating and cooling. If the furnace is to be used again within a few hours, it is best to keep it at the operating temperature or at a reduced level such as 260°C (500°F). During normal use, the thermocouple in your furnace can become oxidized and cause inaccurate readings; therefore, We highly recommend that you replace the thermocouple periodically (once every six months) to ensure temperature accuracy.

General Cleaning Instructions

Wipe exterior surfaces with lightly dampened cloth containing mild soap solution. The Troubleshooting section is intended to aid in defining and correcting possible service problems.

9 Preventive Maintenance
General Cleaning Instructions

Maintenance and Servicing

Contents

- “To Replace a Heating Element” on page 30
- “To Replace Thermocouple” on page 32
- “To Replace Insulation” on page 33
- “To Replace Door Switches” on page 34
- “To Replace Solid State Relay” on page 34
- “To Replace Controller” on page 35



Disconnect the furnace from the power supply before servicing. Refer servicing to qualified personnel.



Perform only maintenance described in this manual. Contact an authorized dealer or our factory for parts and assistance.



It is seldom necessary to disconnect the thermocouple from the controller if the thermocouple is in good condition.

To Replace a Heating Element

1. Set the furnace on its top. (See Figure 3). Remove thermocouple cover. (If equipped.)
2. Remove screw and clamp holding thermocouple, then grasp the thermocouple at the bend where it enters the furnace chamber and pull straight back. Retain porcelain insulator.
3. When the thermocouple tip is clear of the furnace back, bend it out of the way.
4. Remove the screws holding the steel back plate to the case.

Remove the steel back plate.

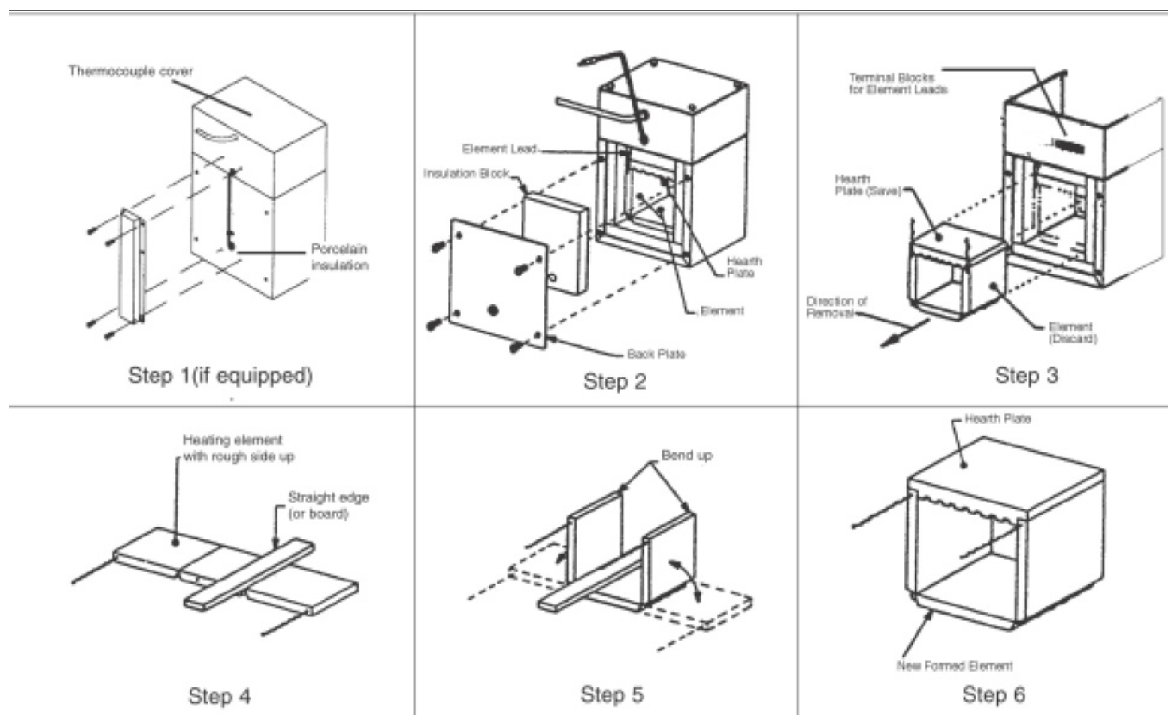


Figure 1. Replacement of a Heating Element

5. Remove the back insulation block by opening the door and gently pushing it out. Support this insulation block while removing it, as it is quite soft and easily crumbled at the edges.
6. Remove bottom cover to obtain access to terminals.

These steps will expose the heating element leads and insulating bushings in the bottom plate of the furnace.

7. Cut the element leads between the element and the terminal block. (There are two leads.) The element and hearth plate unit may now be removed by pushing it straight back out of the furnace. Use care not to damage the chamber insulation when removing the hearth plate and element as it can be reused if it has not been contaminated.

NOTE

The hearth plate contains no heating coil, and may be saved for reinstallation if it is in good condition. The hearth plate is replaceable independent of the heating element.

8. Remove the old element lead wire and power wires from the terminal block, and save the sleeving for re-installation on the new element leads. Sleeving must be replaced if cracked or brittle!
9. New elements are shipped flat to protect them from damage in shipment, and to save space in storage. They must be formed before installation.
10. Place the element on a flat surface with the rough side up. Place a board or other straight edge along one row of notches.
11. Gently bend the element along the straight edge. The refractory cement will break along the row of notches. Make the bend 90°, avoiding excessive bending. (The element wires will be exposed at the corner thus formed. This will not affect its life or performance.)
12. Bend the other side of the element.
13. Place the hearth plate across the open end of the “U” shaped element.
14. Slide the element and hearth plate unit into the chamber, pushing it firmly against the hearth collar. Use care not to damage the soft insulation. Remove any crumbs of insulation that may get between the unit and the hearth collar.
15. Thread the element leads through the ceramic bushings. Bend the leads so they lie close to the refractory plate and the bottom insulation block. (The easiest and safest way to do this is to press the wire flat with a stick or blunt pusher. Do not use a sharp object or nick the wire.)
16. Replace the sleeving and bend the lead $3/4$ turns around the terminal screw. Cut off the excess wire. Replace power wires on top of element lead wires and tighten screw. Do not cross the wire over itself around the terminal; this makes it difficult to keep the connection tight and prevents good electrical contact. If you have excess wire, cut it off. Make sure element lead wires are not touching any other wires.
17. Replace the back insulation block and back plate.
18. Examine the thermocouple, and, if it is good, reinsert it into the chamber. It should extend about 1-1/2” into the chamber. Make sure porcelain insulator is in place for the thermocouple to pass through on the steel back plate. Replace clamp and screw. (Excessive scaling, pitting, or cracks are some indications that the thermocouple may need to be replaced.)
19. Replace bottom cover of control unit.
20. Replace thermocouple cover.

21. If replacement of back insulation is necessary, carefully redrill hole for thermocouple, using back cover as guide.
22. Reconnect furnace to power supply.
23. Test operation of furnace.

NOTE

Nicking or damaging the element leads will cause premature element failure.

To Replace Thermocouple

 **WARNING**

Disconnect the furnace from the power supply before servicing.

NOTE

If the thermocouple touches metal, this could short out the signal, causing the control to display room temperature. This could cause the furnace temperature to run away, possibly damaging furnace components.

1. Set furnace on its top.
2. Remove thermocouple cover. (If equipped.)
3. Remove screw and clamp holding the thermocouple, then grasp the thermocouple at the bend where it enters the chamber and pull it straight back from the furnace. Retain porcelain insulator.
4. Remove bottom cover.
5. Disconnect the thermocouple from the terminal block by removing the screws on the terminals. Pull the thermocouple through the hole in the furnace base and discard.
6. Insert the new thermocouple into the back of the furnace chamber. Make sure the porcelain insulator extends through the steel back plate to prevent the lead wires from touching metal.
7. Thread the thermocouple through the hole in the base which has a nylon insulator, replace clamp and screw.
8. Bend the thermocouple sharply toward terminal block.
9. Secure the two yellow wires marked "+" together on the terminal block. Secure the two red wires "-" together on the adjacent terminal. Make sure connections are secure to terminal block.

A polarity test of the thermocouple and lead wire is easily made with the use of a magnet. On chromel alumel thermocouples and lead wire, the nonmagnetic wire is positive (+) and the magnetic wire is negative (-).

10. Replace bottom plate.
11. Replace thermocouple cover. (If equipped.)
12. Reconnect furnace to power supply.
13. Test operation of furnace.

NOTE

If the control temperature display moves downward, the thermocouple leads are reversed.

To Replace Insulation

 **WARNING**

Disconnect furnace from power supply before servicing.

1. Remove thermocouple cover. (If equipped.)
2. Set furnace on its top and remove screw and clamp securing thermocouple, then grasp thermocouple and remove by pulling it straight back. Retain porcelain insulator.
3. Remove back plate.
4. Remove bottom cover.
5. Disconnect the element leads from terminal block.
6. Disconnect thermocouple leads from terminal block.
7. Remove four nuts holding control section to furnace chamber.
8. Remove the ground nut.
9. Remove the control section from the furnace chamber. Remove plates, screws, spacers and nuts. Be sure to note how plates are assembled together for reassembly.
10. Remove back piece of insulation by opening door and pushing it out gently.
11. Remove bottom piece of insulation by lifting it out.
12. Remove element and hearth plate by pulling it straight back out of the furnace chamber. (Be careful not to damage elements.)
13. Remove side insulating pieces.
14. To remove top insulating piece and hearth collar, position the furnace on its side. Remove both objects from furnace.
15. Reposition furnace on its top. Reinsert new hearth collar and the new top piece of insulation. Insert the new side pieces of insulation last.
16. Reinsert element and hearth plate unit into the chamber, pushing it firmly against the hearth collar. (Be careful not to damage insulation.)
17. Reinsert new bottom piece of insulation over hearth plate. (Element leads and ceramic bushings should be exposed above insulation bottom piece.)
18. Thread the element leads and ceramic bushings through the bottom plate. Bend the leads so they lie close to the refractory plate and the bottom insulation block. (The easiest and safest way to

do this is to press the wire flat with a stick or blunt pusher. Do not use a sharp object or nick the wire.) Secure plate to furnace chamber.

19. Reverse steps 1-9 to reassemble furnace.

To Replace Door Switches



Disconnect furnace from power supply before servicing.

1. Place furnace upside down and remove bottom cover.
2. Disconnect wires from door switches. Identify or mark wires disconnected from door switches to ensure proper placement and connection when reinstalling.
3. Remove two screws and nuts from door switches and slide door switches out.
4. Install new door switches to bracket. Place furnace in an upright position. Adjust door switches until a click is heard from the switches, when furnace door is approximately 2" from being completely closed. Secure door switches to bracket.
5. Place furnace upside down. Reconnect the wires to new door switches.
6. Replace bottom cover and place furnace upright.
7. Reconnect furnace to power supply.
8. Test operation of door switches as described in step 4.

To Replace Solid State Relay



Disconnect furnace from power supply before servicing.

1. Place furnace upside down and remove bottom cover.
2. Disconnect wires from the controller. Identify or mark wires disconnected to ensure proper placement and connection when re-installing.
3. Remove the controller from bottom cover. Note placement of solid state relay.
4. Install new solid state relay and reconnect wires.
5. Replace bottom cover and place furnace upright.
6. Reconnect furnace to power supply.

To Replace Controller



Disconnect furnace from power supply before servicing.

1. Place furnace upside down and remove bottom cover.
2. Disconnect wires from the controller. Identify or mark wires disconnected to ensure proper placement and connection when re-installing.
3. Remove the controller from bottom cover.
4. Install new controller and secure.
5. Reconnect wires identified in step 3 to new controller.
6. Replace bottom cover and place furnace upright.
7. Reconnect furnace to power supply.

10 Maintenance and Servicing

To Replace Controller

Troubleshooting

The Troubleshooting section is intended to aid in defining and correcting possible service problems. When using the chart, select the problem category that resembles the malfunction. Then proceed to the possible cause's category and take necessary corrective action.

Problem	Possible Causes	Corrective Action
The furnace does not heat (cycle light on the display does not illuminate).	No power.	Check power source and fuses or breakers.
	Defective electrical hookup.	Repair electrical hookup.
	Thermocouple has oxidized and opened the circuit. (Open thermocouple is indicated on the display as a temperature of 0-5 degrees).	Replace thermocouple.
	Fuse(s) blown.	Replace fuse(s).
	Controller malfunction.	Replace controller.
	Door switches malfunction.	Re-align or replace door safety switches.
	Defective solid state relay.	Replace output relay.
Power is not cut to heating elements when the door is open.	Door switches are not functioning.	Re-align or replace door switches.
Slow heat up.	Low line voltage.	Install line of sufficient size and proper voltage. (Isolate furnace from other electrical loads.)
	Heavy load in chamber.	Lighten load in chamber.
	Wrong heating element.	Install proper element.
Repeated element burnout.	Overheating furnace.	Keep furnace under maximum temperature.
	Heating harmful materials.	Enclose material in container. Clean up spills in and on chamber. Ventilate chamber by opening door slightly when heating known harmful reagents.
	Contamination present from previous burnout.	Replace insulation material.

11 Troubleshooting

Inaccurate temperature readout.	Oxidized or contaminated thermocouple.	Replace thermocouple.
	Poor thermocouple connection.	Tighten connections.
	Improper loading procedures.	Use proper loading procedures.
	Poor ventilation of base.	Clear area around furnace base.
	Thermocouple connections reversed. (Indicated by downscaling of temperature on display.)	Reconnect thermocouple correctly.
	Controller malfunction.	Replace controller.

Replacement Parts List

Key#	Description	Quantity Required	PartNumber
1	Cordset (240V EUROPEAN)	1	CR1058X1
1	Cordset (120V)	1	CR1142X1
1	Cordset (240V USA)	1	CR1142X3
1	Cordset (240V CHINA)	1	CR1284X1
1	Cordset (240V UK)	1	84856G03
1	Cordset (240V SWISS)	1	84856G04
1	Heating element (100V - FB1314M)	1	EL140X2
1	Heating element (120V - FB1315M)	1	EL44X1
1	Heating element (208V - FB1318M)	1	EL44X3
1	Heating element (240V - FB1310M, -33)	1	EL44X2
1	Heating element (100V - FB1414M)	1	EL186X2
1	Heating element (120V - FB1415M)	1	EL48X1
1	Heating element (208V - FB1418M)	1	EL48X3
1	Heating element (240V - FB1410M, -33)	1	EL48X2
2	Thermocouple (FB1300 models)	1	TC1256X1
2	Thermocouple (FB1400 models)	1	TC746X1A
3	Solid State Relay (all models)	1	RYX34
4	Door Switches (all models)	2	SWX163
5	Control (FB1300M & FB1400M models except FB1410M-33)	1	CN71X184
5	Control (FB1410M-33 model only)	1	CN71X169
6	Insulation Btm (all FB1300 models)	1	JC44X1
6	Insulation Btm (all FB1400 models)	1	JC48X2
7	Insulation Back (all FB1300 models)	1	JC44X4
7	Insulation Back (all FB1400 models)	1	JC48X1
8	Insulation Top (all FB1300)	1	JC44X3
8	Insulation Top (all FB1400)	1	JC48X3

12 Replacement Parts List

Key#	Description	Quantity Required	PartNumber
9	Insulation Hearth Collar (FB1300)	1	HC44X1
9	Insulation Hearth Collar (FB1400)	1	HC48X1
10	Insulation Sides (FB1300)	2	JC460X2
10	Insulation Sides (FB1400)	2	JC48X4
11	Cycle Light (all 100V & 120V)	1	PLX76 (Optional)
11	Cycle Light (all 208V & 240V)	1	PLX82 (Optional)
12	Terminal Block	1	TRX136
13	Terminal Block	1	TRX96
14	Power Switch (All models)	1	SWX143
15	Door Assembly (FB1300 all models)	1	DR347X1A
15	Door Assembly (FB1400 all models)	1	DR348X1A
16	Element Sleeving (all models)	1	SL745X1
17	Element Sleeving (all FB1300 models)	1	SL745X1
18	Hearth Plate (all FB1300 models)	1	PH44X1
18	Hearth Plate (all FB1400 models)	1	PH48X1
19	Filter (all models except FB1314M, FB1315M ,FB1414M and FB1415M)	1	CAX98
20	Fuse Holder (all models)	1	FZX26
21	Fuse 10 amp.25 x 1.25 - (Bussman™ Type ABC, 240V & 208V models)	2	FZX30
21	Fuse 15 amp.25 x 1.25 (Bussman™ Type ABC,120V models)	2	2-58147
21	Fuse 20 amp.25 x 1.25 (Bussman™ Type ABC,100V models)	2	FZX29
22	Dial Plate Label (FB1300)	1	DLX248
22	Dial Plate Label (FB1400)	1	DLX249

Ordering Procedures

Please refer to the Specification Plate for the complete model number, serial number, and series number when requesting service, replacement parts or in any correspondence concerning this unit.

All parts listed herein may be ordered from the Thermo Scientific dealer from whom you purchased this unit or can be obtained promptly from the factory. When service or replacement parts are needed we ask that you check first with your dealer. If the dealer cannot handle your request, then contact our Customer Service Department at 800-438-4851.

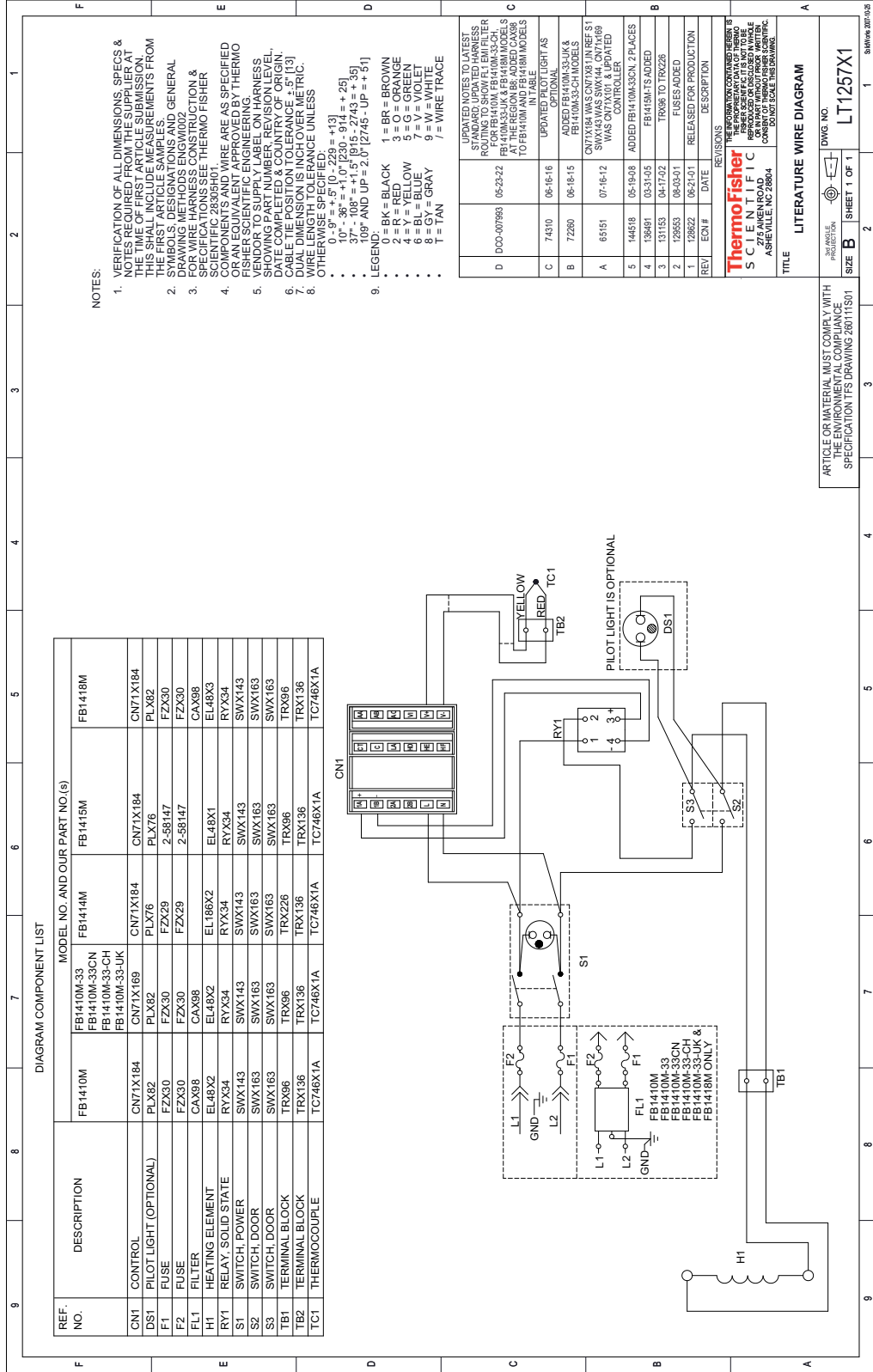
Prior to returning any materials, please contact our Customer Service Department for a “Return Materials Authorization” number (RMA). Material returned without an RMA number will be refused.

Wiring Diagrams

Contents

- “FB 1400 models” on page 44
- “FB1300 models” on page 45

FB 1400 models



- NOTES:
1. VERIFICATION OF ALL DIMENSIONS, SPECS & NOTES REQUIRED FROM THE SUPPLIER AT THE TIME OF FIRST ARTICLE SUBMISSION AT THE SAME TIME AS THE SUBMITTALS FROM THE FIRST ARTICLE SAMPLES.
 2. SYMBOLS, DESIGNATIONS AND GENERAL DRAWING METHODS ENGM002.
 3. DIMENSIONS CONSTRUCTION & SPECIFICATIONS SEE THERMO FISHER SCIENTIFIC 28395H01.
 4. COMPONENTS AND WIRE ARE AS SPECIFIED OR AN EQUIVALENT APPROVED BY THERMO FISHER. THE MANUFACTURER'S NAME AND VENDOR TO SUPPLY LABEL ON HARNESS SHOWING PART NUMBER, REVISION LEVEL, DATE COMPLETED & COUNTRY OF ORIGIN.
 5. CABLE DIMENSION TOLERANCE ±.01[.3]
 6. WIRE LENGTH TOLERANCE UNLESS OTHERWISE SPECIFIED:
 - 0-.9" = ±.5" [0-.229" = ±.13]
 - 1.0-3.0" = ±.5" [30.5-76.2 = ±.25]
 - 3.1-3.6" = ±.5" [79.3-91.4 = ±.25]
 - 3.7-3.8" = ±.5" [93.9-96.5 = ±.25]
 - 10.9" AND UP = 2.0" [274.5 - UP = ± 51]
 9. LEGEND:
 - 0 = BK = BLACK
 - 1 = BR = BROWN
 - 2 = GR = GREEN
 - 3 = Y = YELLOW
 - 4 = BL = BLUE
 - 5 = C = GREEN
 - 6 = BL = BLUE
 - 7 = V = VIOLET
 - 8 = GY = GRAY
 - 9 = W = WHITE
 - / = WIRE TRACE

REV	ECN#	DATE	DESCRIPTION
5	144518	05-19-08	ADDED FB1410M-33CN, 2 PLACES
4	136481	03-31-05	FB1415M-1TS ADDED
3	131153	04-17-02	TRX96 TO TRX226
2	126553	08-03-01	FUSES ADDED
1	126622	05-21-01	RELEASED FOR PRODUCTION

REV	DATE	DESCRIPTION
D	05-23-22	UPDATES TO LATEST STANDARD, UPDATED HARNESS ROUTING TO SHOW FL1, ENL FILTER PART NUMBER, FB1410M-33CN, FB1410M-33UK, FB1410M-33UK & FB1410M-33UK MODELS AT THE REGION BB; ADDED CAX98 TO FB1410M AND FB1418M MODELS
C	06-16-16	UPDATED PILOT LIGHT AS OPTIONAL
B	06-18-15	ADDED FB1410M-33UK & FB1410M-33CH MODELS
A	07-16-12	SWX143 AND TRX96 TO FB1418M WAS SWX144, CN71X184 & SWX143 WAS SWX144, CN71X184 WAS CN71X191 & UPDATED CONTROLLER

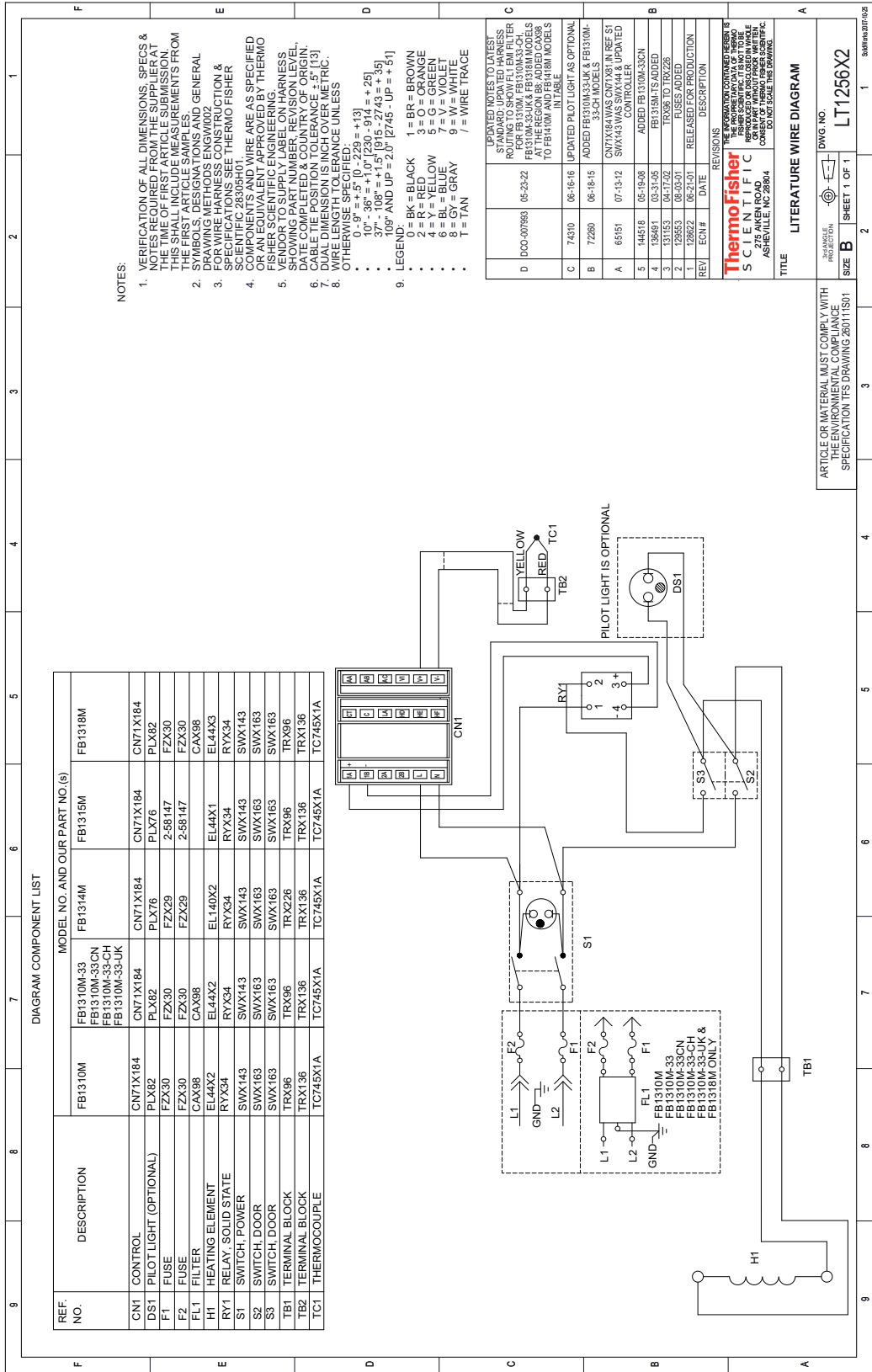
ThermoFisher
SCIENTIFIC
775 AKEEN ROAD
ASHEVILLE, NC 28804

THE INFORMATION CONTAINED HEREIN IS THE PROPERTY OF THERMO FISHER SCIENTIFIC AND IS NOT TO BE REPRODUCED OR TRANSMITTED IN ANY FORM OR BY ANY MEANS, ELECTRONIC OR MECHANICAL, INCLUDING PHOTOCOPYING, RECORDING, OR BY ANY INFORMATION STORAGE AND RETRIEVAL SYSTEMS. WITHOUT PRIOR WRITTEN PERMISSION FROM THERMO FISHER SCIENTIFIC, ANY VIOLATION OF THESE TERMS SHALL BE SUBJECT TO LEGAL ACTION.

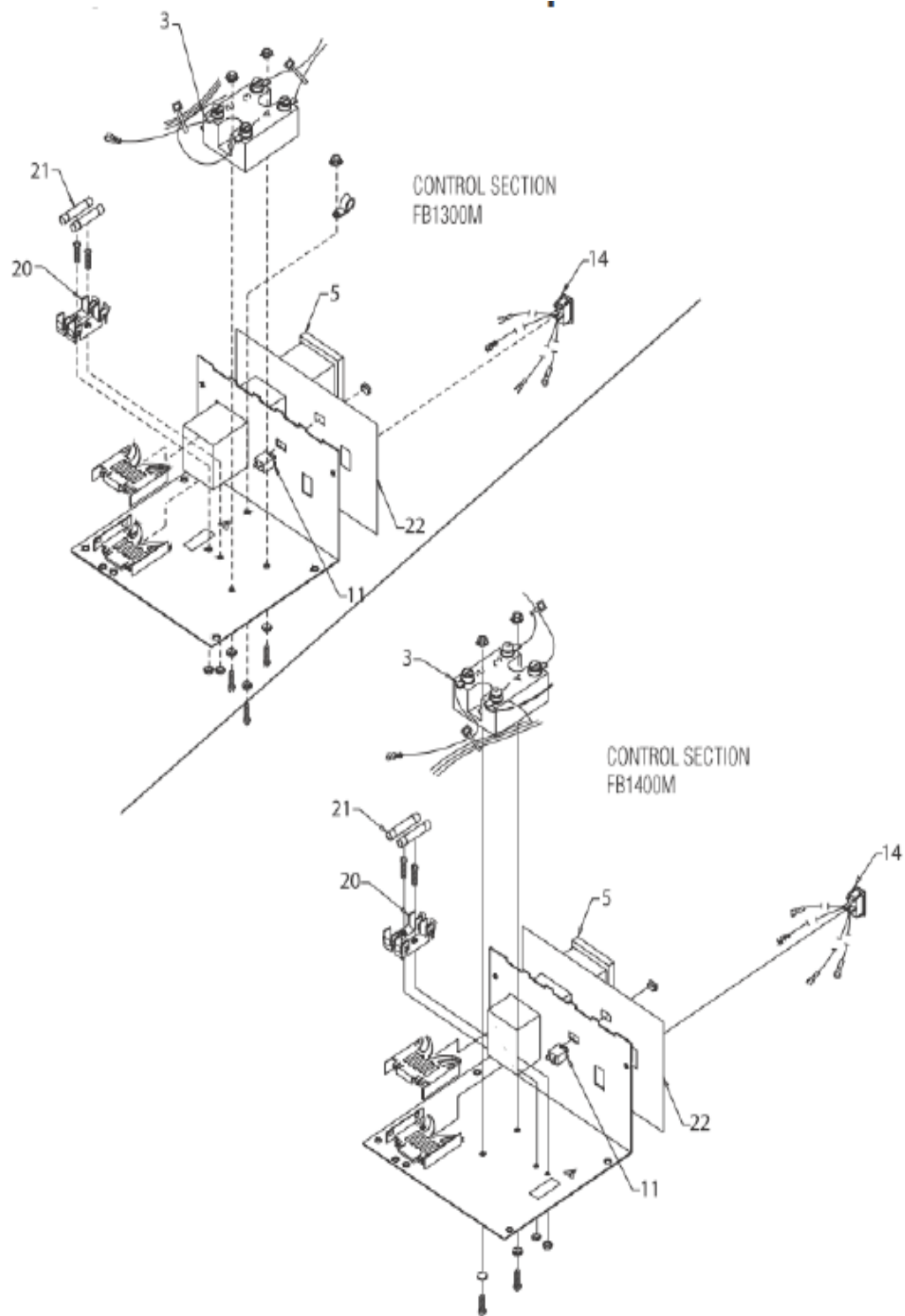
TITLE: LITERATURE WIRE DIAGRAM
DWG. NO.: LT1257X1
SIZE: B SHEET 1 OF 1

ARTICLE OR MATERIAL MUST COMPLY WITH THE ENVIRONMENTAL COMPLIANCE SPECIFICATION IN ITS DRAWING 28011TSU1

FB1300 models



Exploded View



Regulatory Compliance

Product Safety

This product family has been tested to all applicable US and Canadian product standards by UL, a Nationally Recognized Test Laboratory (NRTL).



Electromagnetic Compatibility

FCC Statement (USA)



Any changes or modifications not expressly approved by the party responsible for compliance could void the user's authority to operate the equipment.

NOTE: This equipment has been tested and found to comply with the limits for a Class A digital device, pursuant to part 15 of the FCC Rules. These limits are designed to provide reasonable protection against harmful interference when the equipment is operated in a commercial environment. This equipment generates, uses, and can radiate radio frequency energy and, if not installed and used in accordance with the instruction manual, may cause harmful interference to radio communications. Operation of this equipment in a residential area is likely to cause harmful interference in which case the user will be required to correct the interference at his own expense.

Canadian ISED IC Notice

This ISM digital apparatus complies with Canadian ICES-001.

Cet appareil ISM est conforme à la norme NMB-001 du Canada

Evaluation of Chemicals - Regulations and Directives

Proposition 65



WARNING: This product can expose you to chemicals including refractory ceramic, refractory ceramic fiber or fiberglass insulation, and crystalline silica which are known to the State of California to cause cancer and/or silicosis. For more information go to www.P65Warnings.ca.gov.

Additional Regulations & Markings

European Union (-33)



The European voltages of this product meets all the applicable requirements of the European Directives and display the CE Marking. These Directives include those captured in more detail in the sections below, as well as any listed in the EU Declaration of Conformity. The most current EU Declaration of Conformity may be obtained from the manufacturer.

EMC Directive - compliance with all applicable EMC standards has been completed and documented in the product technical file.

Low Voltage Directive - compliance with all applicable Product Safety standards has been completed and documented in the product technical file.

REACH - Europe

We are committed to meeting all compliance obligations to evaluate, communicate, and register any Substances of Very High Concern (SVHC), and finding alternates where appropriate.

RoHS - Europe

We are determined to reduce the impact we have on the environment, and so can declare that this product fully complies with the European Parliament's RoHS2 (Restriction of Hazardous Substances) Directive 2011/65/EU, with respect to all the following substances:

- Lead (0.1 %)
- Mercury (0.1 %)
- Cadmium (0.01 %)
- Hexavalent chromium (0.1 %)
- Polybrominated biphenyls (PBB) (0.1 %)
- Polybrominated diphenyl ethers (PBDE) (0.1 %)

2015/863 Annex II (RoHS3, In effect after July 22, 2019)

- Bis(2-ethylhexyl) phthalate (DEHP) (0.1 %)
- Butyl benzyl phthalate (BBP) (0.1 %)

- Dibutyl phthalate (DBP) (0.1 %)
- Diisobutyl phthalate (DIBP) (0.1 %)

Our compliance is witnessed by written declaration from our suppliers and/or component testing. This confirms that any potential trace contamination levels of the substances listed above are below the maximum level set by the latest regulations or are exempt due to their application.

WEEE Compliance

WEEE Compliance. This product is required to comply with the European Union's Waste Electrical & Electronic Equipment (WEEE) Directive 2012/19/EU. It is marked with the following symbol. Thermo Fisher Scientific has contracted with one or more recycling/disposal companies in each EU Member State, and this product should be disposed of or recycled through them. Further information on our compliance with these Directives, the recyclers in your country, and information on Thermo Scientific products which may assist the detection of substances subject to the RoHS Directive are available at www.thermofisher.com/WEEERoHS.

WEEE Konformität. Dieses Produkt muss die EU Waste Electrical & Electronic Equipment (WEEE) Richtlinie 2012/19/EU erfüllen. Das Produkt ist durch folgendes Symbol gekennzeichnet. Thermo Fisher Scientific hat Vereinbarungen getroffen mit Verwertungs-/Entsorgungsanlagen in allen EU-Mitgliederstaaten und dieses Produkt muss durch diese Firmen verwertet oder entsorgt werden. Mehr Informationen über die Einhaltung dieser Anweisungen durch Thermo Scientific, die Verwerter und Hinweise die Ihnen nützlich sein können, die Thermo Fisher Scientific Produkte zu identifizieren, die unter diese RoHS. Anweisung fallen, finden Sie unter www.thermofisher.com/WEEERoHS.

Conformità WEEE. Questo prodotto deve rispondere alla direttiva dell'Unione Europea 2012/19/EU in merito ai Rifiuti degli Apparecchi Elettrici ed Elettronici (WEEE). È marcato col seguente simbolo. Thermo Fisher Scientific ha stipulato contratti con una o diverse società di riciclaggio/smaltimento in ognuno degli Stati Membri Europei. Questo prodotto verrà smaltito o riciclato tramite queste medesime. Ulteriori informazioni sulla conformità di Thermo Fisher Scientific con queste Direttive, l'elenco delle ditte di riciclaggio nel Vostro paese e informazioni sui prodotti Thermo Scientific che possono essere utili alla rilevazione di sostanze soggette alla Direttiva RoHS sono disponibili sul sito www.thermofisher.com/WEEERoHS.

Conformité WEEE. Ce produit doit être conforme à la directive euro-péenne (2012/19/EU) des Déchets d'Equipements Electriques et Electroniques (DEEE). Il est marqué par le symbole suivant. Thermo Fisher Scientific s'est associé avec une ou plusieurs compagnies de recyclage dans chaque état membre de l'union européenne et ce produit devrait être collecté ou recyclé par celles-ci. Davantage d'informations sur la conformité de Thermo Fisher Scientific à ces directives, les recycleurs dans votre pays et les informations sur les produits Thermo Fisher Scientific qui peuvent aider la détection des substances sujettes à la directive RoHS sont disponibles sur www.thermofisher.com/WEEERoHS.

Great Britain



Deutschland



Italia



France



Important

For your future reference and when contacting the factory, please have the following information readily available:

Model Number: _____

Serial Number: _____

Date Purchased: _____

The above information can be found on the dataplate attached to the equipment. If available, please provide the date purchased, the source of purchase (manufacturer or specific agent/rep organization), and purchase order number.

IF YOU NEED ASSISTANCE:

LABORATORY PARTS and SERVICE

Phone: 800/438-4851

FAX: 828/658-2576

TECHNICAL SUPPORT

Phone: 800/438-4851



Thermo Fisher Scientific Inc.

275 Aiken Road
Asheville, NC 28804
United States

www.thermofisher.com

LT1256X1 Rev. H

thermoscientific

Contact Us

North America: 866-984-3766

Europe: France +33 2 2803 2180 Germany +49 9184 90 9640 UK/Ireland + 44 870 609 9203

Asia: China +86 21 6865 4588 India 1800 22 8374 Japan +81 45 453 9220