

## Spray chamber Nebulizer connector kit

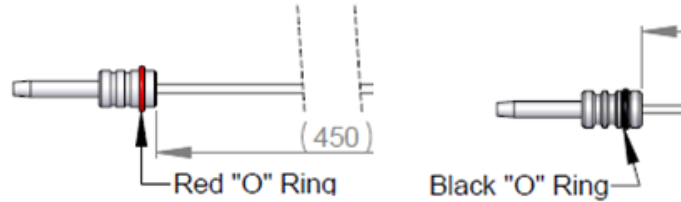
Use p/n 8423 1205 1402 for Spray chamber & nebulizer connector kit  
Items and quantities included in kit are listed below:

### Nebulizer/Spray Chamber Connector Kit.pdf (p/n 842312051402)

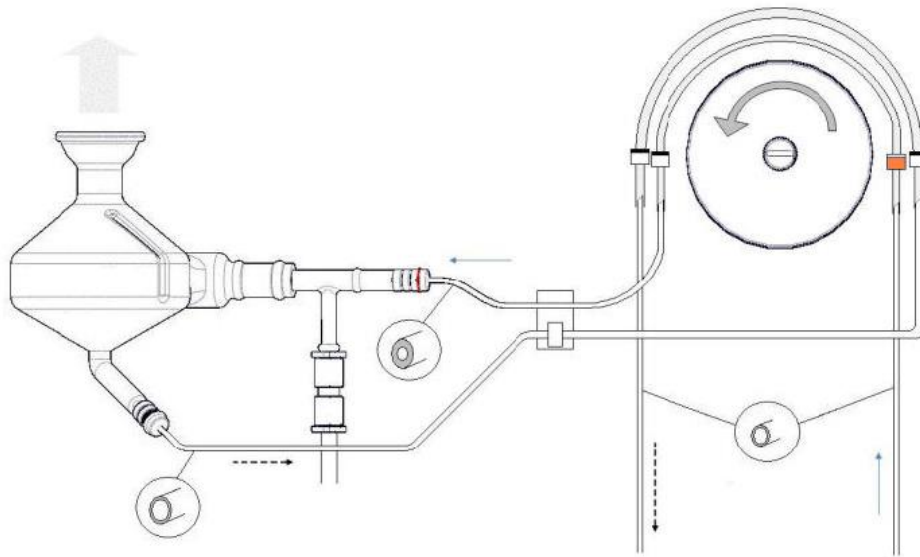
Adapter PTFE 1 Blk Ring w/integral capillary (chamber drain) ---	6 EA
Adpater PTFE 2 Blk Rings w/ integral capillary (chamber drain) ---	6 EA
Adapter PTFE 1 Red Ring w/integral capillary (neb uptake) Fitting ---	6 EA
Neb Gas 4mm inline QC (Ezylok) ---	3 EA



nebulizer push fit connector

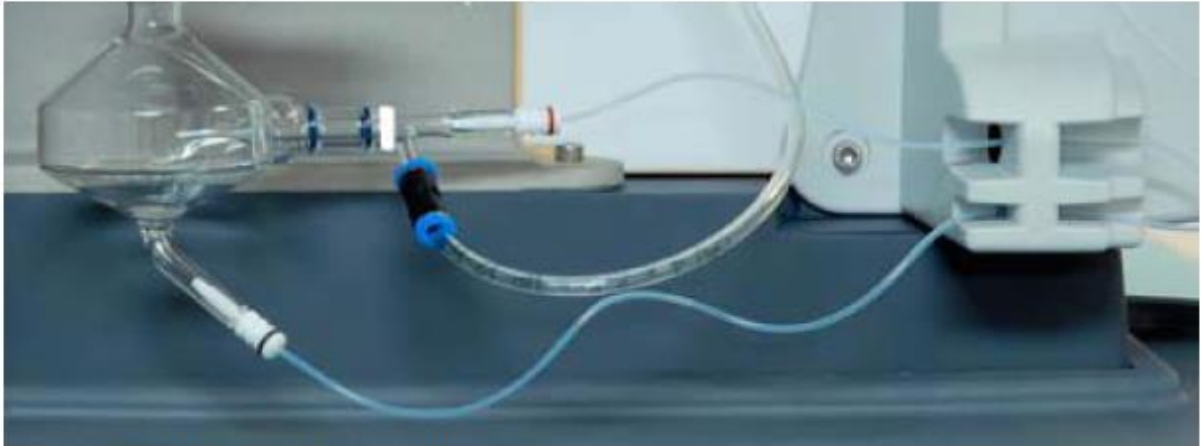


Picture below are pictures showing how these fittings connect to the spray chamber.



**Note:** The sample input tubing to the nebuliser and the drain output from the drain use similar fittings. The sample input has a red ring and the drain has a black ring. These must be fitted correctly as the diameters of the tubing are different, as indicated in the diagram above.

Similarly, the pump tubing has different internal diameters for sample and drain – indicated by an orange tab on the sample input.



**Figure 4–12.** Sample capillary tubing