



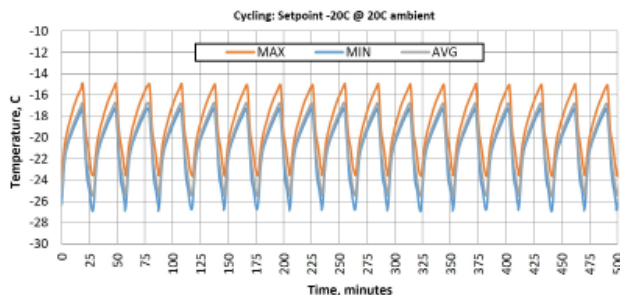
# Technical Data Sheet

## Fisherbrand™ Isotemp™ General Purpose Freezer, 18 Cubic Feet

Revision - A

Specifications	Catalog Number
	FBV18FP5A
	Model Number
FBV18FP5A	
Application, Rating and Electrical data	
Application	18 Cu.ft. General Purpose Freezer
Storage Volume	510 Liters / 18 Cubic Feet
Temperature Rating	Freezer: -22°C to -10°C (-7.6 °F to 14 °F)
Electrical Power	115 V / 60 Hz
Instrument Rated Current	5.5A
Building Supply Rating	115V -6 / +10%
Power Plug	Three Prong NEMA 5-15P
Agency Listings	cETLus
Indoor/Outdoor Usage	Indoor Use Only
Application Environment	Non-Corrosive, Non-Flammable, Non-Explosive, Good Air Ventilation
Ambient Operating Temperature	15° C to 32° C (60° F to 90° F)
Refrigeration Configuration	
Refrigeration System	Vapor Compression System
Compressor / Number	Hermetic Compressor / 1
Condenser Type/Number	Forced air cooled / 1
Expansion Device	Capillary Tube
Evaporator Type	Static Evaporator Coil
Defrost Method	Manual
Refrigerant Charge/Flammability	R290, 110g / Flammable
Controller / Electrical System Configuration And Features	
Power Switch	Not Present
Controller Type	Digital Controller
Setpoint Security / Programmable	No / Yes
Compressor Safe Guard	High Temp Cutout Switch / Overload Protector
Control Sensor	NTC Probe
Remote Alarm Terminals	Not Present
Power Failure Alarm	Not Present
Data Logger / Chart Recorder	Not Present
Dimensions And Construction	
Interior Dimensions (W x D x H)	653 mm x 580 mm x 1660 mm (25.7" x 22.8" x 65.4")
Exterior Dimensions (W x D x H)	777 mm x 705 mm x 1895 mm (30.6" x 27.8" x 74.6")
Insulation	Cyclopentane (C <sub>5</sub> H <sub>10</sub> )
Door Perimeter heater	Yes
Shelves / Capacity	6 Non Adjustable Shelves / Max. 10kg (22 lbs) per shelf
All-Direction Casters	(2) Adjustable Feet In Front
Shipping Weight / Net Weight	109 kg (240 lbs) / 98 kg (216 lbs)
Access Port / Dia	No

### Typical Performance Characteristics



Test Unit Series Number or MSO Number:	20485-A-9-5
Cabinet Load:	Unloaded
Average Cabinet Temperature at -20C Cycle (C):	-20.4
Energy Consumption (kw-hr/day):	1.4
Sound (dB):	45

1. Data is representative of performance and not published product specifications. Technical data sheet test results should not be referenced in developing any regulatory parameters for specific customer usage.
2. Freezer performance will vary based on customer product volume, storage format, operating conditions, test methodology and performing recommended maintenance.
3. Continuous product enhancements may, without notice, result in amendments or omissions to this technical data sheet. Thermo Scientific cannot accept responsibility for damage, injury, loss or expenses resulting from misapplication of the information herein.

Distributed by Fisher Scientific. Contact us today:

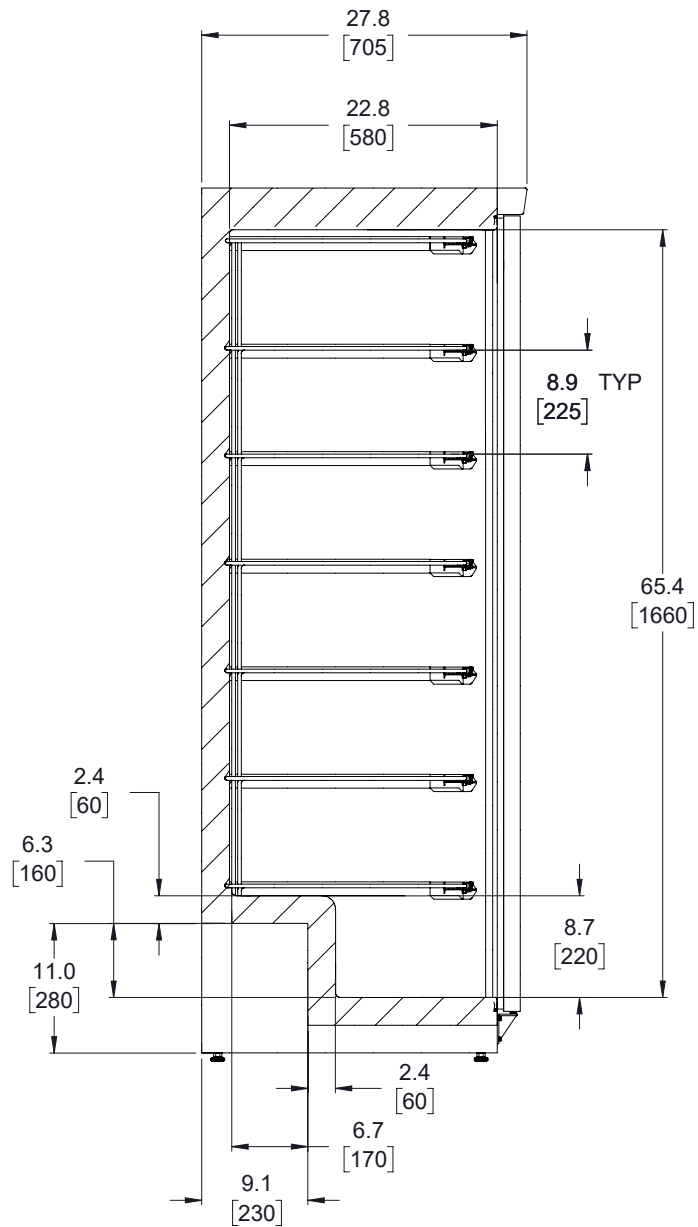
#### In the United States:

Order online: fishersci.com  
Call customer service: 1-800-766-7000

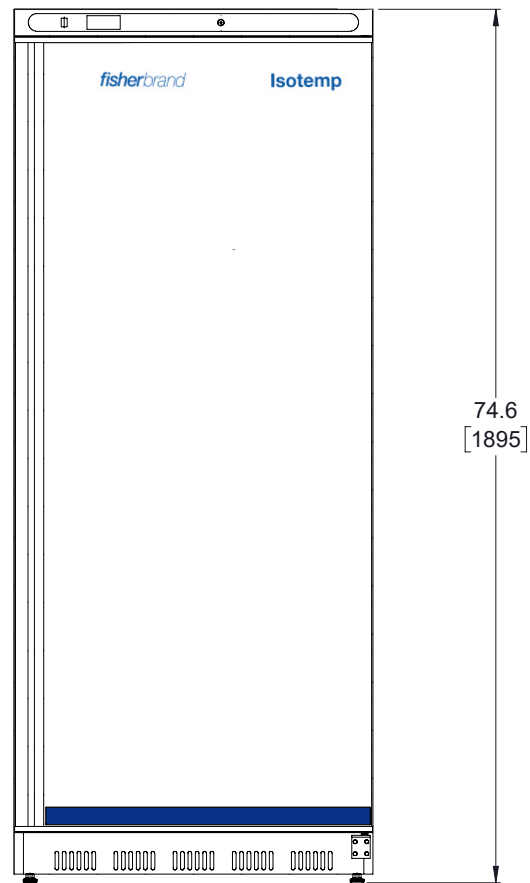
#### In Canada:

Order online: fishersci.ca  
Call customer service: 1-800-234-7437

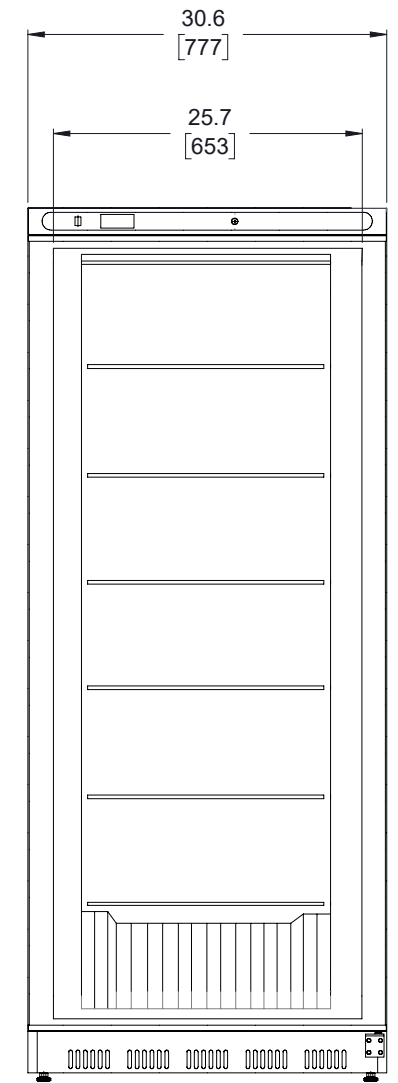




SECTION VIEW



FRONT VIEW



TRANSPARENT VIEW

**Note: DUAL DIMENSION IS INCHES OVER MILLIMETERS.**

DO NOT USE FOR ENGINEERING PURPOSES SUBJECT TO CHANGE WITHOUT NOTICE.

General Purpose Freezer, 18 Cubic Feet