

JEWETT

BPL417

BPL425

BPL437

BPL455

-40° Plasma Freezers

Installation and Operation Manual



BPL -40° C PLASMA FREEZER


This *JEWETT* -40° C. Plasma Freezer is a complete packaged unit ready to operate when plugged into an electrical source. It is not necessary to have a refrigeration serviceman set the unit in operation. The unit has been tested prior to shipment. Read all the instructions before proceeding with installation.

BPL55 models are provided with two condensing units. This configuration of the refrigeration system provides an additional measure of security due to the redundant design.

INSPECTION FOR DAMAGE

Un-crate the product and remove all packing and crating materials. Inspect the product and parts thoroughly for damage or missing parts. File all claims for damage with the transportation company immediately. Do not file claims with the manufacturer.

INSTALLATION INSTRUCTIONS

1. Measure all doorways and passageways for clearance before moving the cabinet. Model sizes 17 and 37 will require a standard 30" X 84" door opening. Model sizes 25 and 55 will require a standard 36" X 84" door opening.
2. Inspect the interior, exterior and mechanical equipment for special instruction tags fastened at various points.
3. Move the freezer into the desired location. Make sure the bottom of the freezer is evenly supported. Thin shims under the points of rest can be used to equalize the distribution of weight. If the cabinet sets on an uneven floor, a slight rocking or vibration might result when the condensing unit is set in operation.
4.  These Models are provided with locking casters. Apply the brakes prior to operation.
4. A minimum of 8" clearance is required between the ceiling and the top of the freezer and a minimum of 3" clearance is required at the rear to allow adequate ventilation of mechanical equipment.
5. *Before starting up the freezer, be sure to loosen the compressor mounts, following the instructions on page 2.*
6. The condensing units are shipped with all service valves open and ready for operation. **DO NOT** adjust the refrigerant valves or the temperature controls.
7. The unit is designed to operate on 208-230V/1 phase/60 Hz or 220-240V/1-phase/50 Hz alternating current. (Check serial plate for correct voltage requirements). Use of any other electrical characteristics will cause permanent damage to the mechanism.

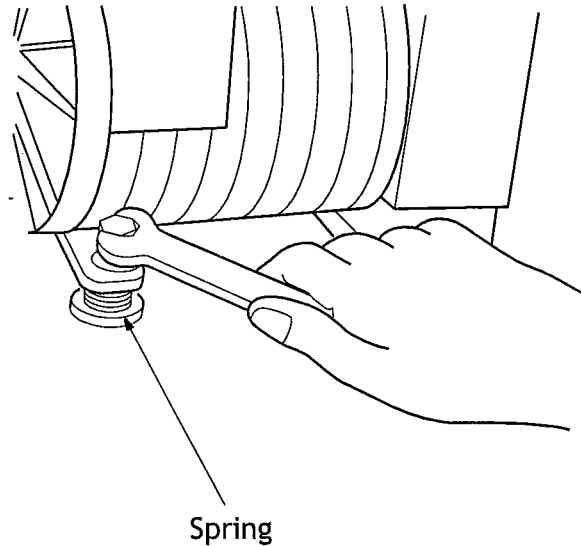
Operate the freezer for several hours to allow the unit to reach the normal -40° C operating temperature before storing products.

COMPRESSOR MOUNTS

These units are shipped with the compressor mounts secured. The springs under the compressor mounting feet are fully compressed by hold-down nuts for shipping. ***These nuts must be loosened before the unit is put into operation*** (refer to the figure below).

To loosen the compressor mount springs, complete the following steps:

1. Remove the end panel on the right side of the machine compartment to expose the compressor.
2. Use a 3/4 in. box end or socket wrench with ratcheting handle and a 4 in. extension to loosen the nuts on the compressor mounts. Loosen the nuts until the clearance between the bottom of the nut and the top of the mounting foot is 1/8 in.



MAINTENANCE INSTRUCTIONS

1. Frequent cleaning of the interior and exterior with water and a good fungicidal detergent that eliminates harmful bacteria, stains and other foreign matter, will keep the unit fresh and new looking.
2. Shelves and/or drawers should be removed from the cabinet and thoroughly scrubbed. Clean door gasket periodically.
3. The unit cooler fan operates continuously when the door is closed and requires no lubrication.
4. These models have been provided with an electric condensate evaporator located on the back of the cabinet. Periodic cleaning of the condensate pan will insure proper operation.
5. The condensing unit needs no oil or other lubrication. The finned condenser can become clogged with lint or dust. The openings between the fins should be kept clean. A vacuum cleaner or small test tube brush works well for this purpose. This should be accomplished on an annual basis. Failure to keep the condenser fins free of dirt and lint will result in erratic operation and may damage the refrigeration system.
6. Annual inspection of the mechanical refrigeration equipment by a qualified serviceman is recommended. A qualified mechanic can frequently make adjustments that will prevent future breakdown.
7. The refrigeration system is charged with refrigerant R404a). If the system is opened for any reason, extreme care should be taken to prevent the entry of moisture-bearing air. A new drier should be installed in the lines when the system is closed.

SEQUENCE OF OPERATION

STEP "1": Normal Refrigeration Operation

1. The power switch on the rear of the freezer starts the freezer.
2. The refrigeration compressor turns on and off depending on cooling demand from the temperature control.
3. The unit cooler fan and condenser fans operates continuously when the freezer is powered on. However, the door switch will deactivate the fan motor when the door is opened.
4. Frost builds up slowly on the unit cooler.

STEP "2": - Defrost Cycle

1. The unit cooler defrost cycle is started automatically by the temperature control system. Defrost can also be initiated manually (see Control/Defrost instructions).
2. During defrost, the unit cooler fan is turned off and the hot gas solenoid valve is turned on.
3. Hot refrigerant gas flows through the evaporator coil, warming the coil and drain pan and melting the built-up frost.
4. The defrost cycle terminates when the evaporator coil reaches approximately 11° C.

STEP "3": - Return to Normal Operation

When the defrost cycle terminates, the hot gas solenoid valve de-energizes. The unit cooler fan starts up after the evaporator coil has cooled enough so that warm air will not circulate through the cabinet.

TEMPERATURE CONTROL/DEFROST TIMER INSTRUCTIONS

OPERATION

The LabPro controller is located in the electrical junction box on the back of the freezer. BPL55 models have two junction boxes with two separate controls.

Control operation is described in detail in the three insert pages at the end of this section.

CAUTION: LINE VOLTAGE IS EXPOSED INSIDE THIS BOX. USE EXTREME CAUTION WHEN REMOVING THE COVER FROM THE BOX.

The location of this controller is intentionally hidden from everyday accessibility to provide a measure of tamper-resistance. The Labpro controller incorporates the latest in microprocessor-based electronics providing the functions of refrigeration temperature and defrost control in a single compact controller.

The temperature control function precisely senses refrigerated space temperature. It initiates an on-off cooling cycle to provide an average temperature that is stable for the stored product. When defrost initiates, typically every 6 hours, the cooling coil is automatically warmed for a short period of time to melt away the accumulated frost. The temperature control monitors the progress of the defrost cycle and reinitiates the cooling cycle when defrost is adequate.

SETPOINT

CAUTION: The settings of the control are established at the factory. Changes to the settings should not be made without prior approval from the factory. Doing so could at least void the warranty or at most cause the freezer to malfunction, requiring extensive repair.

The digital display normally indicates the measured temperature inside the freezer. Hold down the SET key for 3 seconds. The display will change to the current setpoint. Press the up/down arrow key to choose a new setpoint. The controller has been configured to choose any setpoint between -30°C and -50°C. Note that setting the control to -50°C will cause the compressor to operate continuously as this setting is beyond the capability of the refrigeration system. This setting is allowed for troubleshooting purposes only and should be avoided on a normal basis since the refrigeration system is designed to maintain the refrigerated space at an average temperature of -40°C, not below.

MANUAL DEFROST INITIATION

Many users require a means of initiating a defrost at other than the scheduled time due to unusual conditions. To the left of the SET key is a picture of a melting snowflake. Depress this key for 3 seconds to manually initiate a defrost cycle.

Digital controller with defrost and fans management
XR60C

CONTENTS

1. GENERAL WARNING	1
2. GENERAL DESCRIPTION	1
3. CONTROLLING LOADS	1
4. FRONT PANEL COMMANDS	1
5. TEMPERATURE ALARM AND ITS DURATION RECORDING (HACCP)	1
6. MAIN FUNCTIONS	2
7. PARAMETERS	2
8. DIGITAL INPUT	3
9. INSTALLATION AND MOUNTING	3
10. ELECTRICAL CONNECTIONS	3
11. HOW TO USE THE HOT KEY	3
12. ALARM SIGNALS	4
13. TECHNICAL DATA	4
14. CONNECTIONS	4
15. DEFAULT SETTING VALUES	4

1. GENERAL WARNING

1.1 PLEASE READ BEFORE USING THIS MANUAL

- This manual is part of the product and should be kept near the instrument for easy and quick reference.
- The instrument shall not be used for purposes different from those described hereunder. It cannot be used as a safety device.
- Check the application limits before proceeding.

1.2 SAFETY PRECAUTIONS

- Check the supply voltage is correct before connecting the instrument.
- Do not expose to water or moisture: use the controller only within the operating limits avoiding sudden temperature changes with high atmospheric humidity to prevent formation of condensation
- Warning: disconnect all electrical connections before any kind of maintenance.
- Fit the probe where it is not accessible by the End User. The instrument must not be opened.
- In case of failure or faulty operation send the instrument back to the distributor or to "Dixell s.r.l." (see address) with a detailed description of the fault.
- Consider the maximum current which can be applied to each relay (see Technical Data).
- Ensure that the wires for probes, loads and the power supply are separated and far enough from each other, without crossing or intertwining.
- In case of applications in industrial environments, the use of mains filters (our mod. FT1) in parallel with inductive loads could be useful.

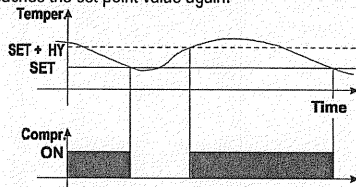
2. GENERAL DESCRIPTION

Model **XR60C**, 32x74 mm format, is a microprocessor based controller, suitable for applications on medium or low temperature ventilated refrigerating units. It has three relay outputs to control compressor, fan, and defrost, which can be either electrical or reverse cycle (hot gas). It is also provided with two NTC or PTC probe inputs, one for temperature control, the other, to be located onto the evaporator, to control the defrost termination temperature and to managed the fan. The instrument is fully configurable through special parameters that can be easily programmed through the keyboard.

3. CONTROLLING LOADS

3.1 COMPRESSOR

The regulation is performed according to the temperature measured by the thermostat probe with a positive differential from the set point: if the temperature increases and reaches set point plus differential the compressor is started and then turned off when the temperature reaches the set point value again.



In case of fault in the thermostat probe the start and stop of the compressor are timed through parameters "CO_n" and "CO_F".

3.2 DEFROST

Two defrost modes are available through the "tdF" parameter: defrost through electrical heater (tdF = EL) and hot gas defrost (tdF = in). Other parameters are used to control the interval between defrost cycles (ldF), its maximum length (MdF) and two defrost modes: timed or controlled by the evaporator's probe (P2P).

At the end of defrost dripping time is started, its length is set in the FSt parameter. With FSt = 0 the dripping time is disabled.

3.3 CONTROL OF EVAPORATOR FANS

The fan control mode is selected by means of the "FnC" parameter:

FnC = C_n: fans will switch ON and OFF with the compressor and **not run** during defrost;

FnC = o_n fans will run even if the compressor is off, and not run during defrost; After defrost, there is a timed fan delay allowing for drip time, set by means of the "Fnd" parameter.

FnC = C_Y fans will switch ON and OFF with the compressor and **run** during defrost;

FnC = o_Y fans will run continuously also during defrost

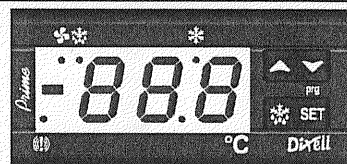
An additional parameter "FS_t" provides the setting of temperature, detected by the evaporator probe, above which the fans are always OFF. This is used to make sure circulation of air only if his temperature is lower than set in "FS_t".

3.3.1 Forced activation of fans

This function managed by the Fct parameter is designed to avoid short cycles of fans, that could happen when the controller is switched on or after a defrost, when the room air warms the evaporator.

Functioning: if the difference of temperature between the evaporator and the room probes is more than the value of the Fct parameter, the fans are switched on. With Fct=0 the function is disabled.

4. FRONT PANEL COMMANDS



SET: To display target set point; in programming mode it selects a parameter or confirm an operation.

DEF To start a manual defrost

UP To see the last temperature alarm happened; in programming mode it browses the parameter codes or increases the displayed value.

DOWN To see the last temperature alarm happened; in programming mode it browses the parameter codes or decreases the displayed value.

KEY COMBINATIONS:

UP + DOWN To lock & unlock the keyboard.

SET + DOWN To enter in programming mode.

SET + UP To return to the room temperature display.

4.1 USE OF LEDES

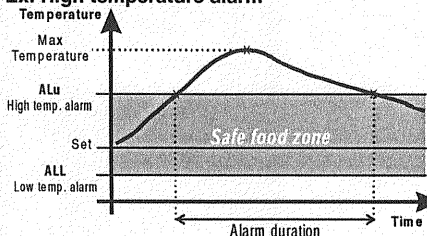
Each LED function is described in the following table.

LED	MODE	FUNCTION
☼	ON	Compressor enabled
☼	Flashing	- Programming Phase (flashing with ☼) - Anti-short cycle delay enabled
☼	ON	Defrost enabled
☼	Flashing	- Programming Phase (flashing with ☼) - Drip time in progress
☼	ON	Fans enabled
☼	Flashing	Fans delay after defrost in progress.
☼	ON	An temperature alarm happened

5. TEMPERATURE ALARM AND ITS DURATION RECORDING (HACCP)

XR60C signals and records temperature alarms, together with their duration and max value reached. See drawing:

Ex. High temperature alarm



5.1 HOW TO SEE THE ALARM DURATION AND MAX (MIN) TEMPERATURE

If the alarm LED is on, an alarm has taken place.

To see the kind of alarm, the max (min) reached temperature and alarm duration do as follows:

1. Push the Up or Down key.
2. On the display the following message is shown: "HAL" for high temperature alarm ("LAL" for the minimum alarm), followed by the **Maximum (minimum) temperature**. Then the "tim" (time) message is displayed, followed by the "Duration" in h.mm.
3. Then the instrument displays the temperature once again.


NOTE1: if an alarm is still occurring the "tim" shows the partial duration.

NOTE2: the alarm is recorded when the temperature come back to normal values

5.2 HOW TO RESET A RECORDED ALARM OR ONE THAT IS STILL OCCURRING

1. Hold the SET key pressed for more than 3s, while the recorded alarm is displayed. (the rSt message will be displayed)
2. To confirm the operation, the "rSt" message starts blinking and the normal temperature will be displayed.


6. MAIN FUNCTIONS**6.1 HOW TO SEE THE SETPOINT**

- SET 
1. Push and immediately release the SET key: the display will show the Set point value;
 2. Push and immediately release the SET key or wait for 5 seconds to display the probe value again.

6.2 HOW TO CHANGE THE SETPOINT



1. Push the SET key for more than 2 seconds to change the Set point value;
2. The value of the set point will be displayed and the * LED starts blinking;
3. To change the Set value push the ^ or v arrows within 10s.
4. To memorise the new set point value push the SET key again or wait 10s.

6.3 HOW TO START A MANUAL DEFOUST

-  Push the DEF key for more than 2 seconds and a manual defrost will start.

6.4 HOW TO CHANGE A PARAMETER VALUE

To change the parameter's value operate as follows:



-  
1. Enter the Programming mode by pressing the Set and DOWN key for 3s (* and * start blinking).
 2. Select the required parameter.
 3. Press the "SET" key to display its value (now only the * LED is blinking).
 4. Use "UP" or "DOWN" to change its value.
 5. Press "SET" to store the new value and move to the following parameter.
- To exit: Press SET + UP or wait 15s without pressing a key.

NOTE: the set value is stored even when the procedure is exited by waiting the time-out to expire.

6.5 THE HIDDEN MENU

The hidden menu includes all the parameters of the instrument.

6.5.1 HOW TO ENTER THE HIDDEN MENU

-  
1. Enter the Programming mode by pressing the Set + v key for 3s (LED 1 and * start blinking).
 2. When a parameter is displayed keep pressed the Set+v for more than 7s. The Pr2 label will be displayed immediately followed from the HY parameter. **NOW YOU ARE IN THE HIDDEN MENU.**

3. Select the required parameter.
4. Press the "SET" key to display its value (Now only the * LED is blinking).
5. Use ^ or v to change its value.
6. Press "SET" to store the new value and move to the following parameter.

To exit: Press SET + ^ or wait 15s without pressing a key.

NOTE: the set value is stored even when the procedure is exited by waiting the time-out to expire.

6.5.2 HOW TO MOVE A PARAMETER FROM THE HIDDEN MENU TO THE FIRST LEVEL AND VICEVERSA.

Each parameter present in the HIDDEN MENU can be removed or put into "THE FIRST LEVEL" (user level) by pressing "SET + v".

In HIDDEN MENU when a parameter is present in First Level the decimal point is on.

6.6 HOW TO LOCK THE KEYBOARD

1. Keep pressed for more than 3 s the UP and DOWN keys.
2. The "POF" message will be displayed and the keyboard will be locked. At this point it will be possible only to see the set point or the MAX o Min temperature stored
3. If a key is pressed more than 3s the "POF" message will be displayed.

6.7 TO UNLOCK THE KEYBOARD

Keep pressed together for more than 3s the ^ and v keys, till the "Pon" message will be displayed.

6.8 THE CONTINUOUS CYCLE

When defrost is not in progress, it can be activated by holding the " ^ " key pressed for about 3 seconds.

The compressor operates in continuous mode for the time set through the "CCt" parameter. The cycle can be terminated before the end of the set time using the same activation key " ^ " for 3 seconds.

7. PARAMETERS

NOTE: the parameters preceded by dots are in the Hidden Menu.

REGULATION

Hy Differential: (0,1 ÷ 25,5°C / 1÷255 °F) Intervention differential for set point. Compressor Cut IN is Set Point Plus Differential (Hy). Compressor Cut OUT is when the temperature reaches the set point.

- **LS Minimum set point:** (- 50°C÷SET/-58°F÷SET). Sets the minimum acceptable value for the set point.
- **US Maximum set point:** (SET÷110°C/ SET÷230°F). Set the maximum acceptable value for set point.

Ot Thermostat probe calibration: (-12,0÷12,0°C;

-120÷120°F) allows to adjust possible offset of the thermostat probe.

P2P Evaporator probe presence: n= not present: the defrost stops by time; y= present: the defrost stops by temperature.

- **OE Evaporator probe calibration:** (-12,0÷12,0°C; -120÷120°F). allows to adjust possible offset of the evaporator probe.

- **OdS Outputs activation delay at start up:** (0÷255min) This function is enabled at the initial start up of the instrument and inhibits any output activation for the period of time set in the parameter.

AC Anti-short cycle delay: (0÷50 min) minimum interval between the compressor stop and the following restart.

- **CCt Compressor ON time during continuous cycle:** (0,0÷24,0h; res. 10min) Allows to set the length of the continuous cycle: compressor stays on without interruption for the CCt time. Can be used, for instance, when the room is filled with new products.
- **COn Compressor ON time with faulty probe:** (0÷255 min) time during which the compressor is active in case of faulty thermostat probe. With COn=0 compressor is always OFF.
- **COF Compressor OFF time with faulty probe:** (0÷255 min) time during which the compressor is OFF in case of faulty thermostat probe. With COF=0 compressor is always active.

DISPLAY

- **CF Temperature measurement unit:** °C=Celsius; °F=Fahrenheit. **WARNING:** When the measurement unit is changed the SET point and the values of the parameters Hy, LS, US, Ot, ALU and ALL have to be checked and modified if necessary.

rES Resolution (for °C): (in = 1°C; dE = 0.1°C) allows decimal point display.

- **Lod Display :** select which probe is displayed by the instrument: P1 = Thermostat probe; P2 = Evaporator probe

DEFOUST

tdF Defrost type: EL = electrical heater; in = hot gas

dtE Defrost termination temperature: (-50÷50 °C/

-58÷122°F) (Enabled only when EdF=Pb) sets the temperature measured by the evaporator probe, which causes the end of defrost.

ldF Interval between defrost cycles: (0÷120h) Determines the time interval between the beginning of two defrost cycles.

MdF (Maximum) length for defrost: (0÷255min) When P2P = n, (not evaporator probe: timed defrost) it sets the defrost duration, when P2P = y (defrost end based on temperature) it sets the maximum length for defrost.

- **dSd Start defrost delay:** (0÷99min) This is useful when different defrost start times are necessary to avoid overloading the plant.

- **dFd Temperature displayed during defrost:** (rt = real temperature; it = temperature at defrost start; SET = set point; dEF = "dEF" label)

- **dAd MAX display delay after defrost:** (0÷255min). Sets the maximum time between the end of defrost and the restarting of the real room temperature display.

- **Fdt Drip time:** (0÷120 min) time interval between reaching defrost termination temperature and the restoring of the control's normal operation. This time allows the evaporator to eliminate water drops that might have formed due to defrost.

- **dPo** First defrost after start-up: (y = immediately; n = after the ldf time)
- **dAF** Defrost delay after continuous cycle: (0+23.5h) time interval between the end of the fast freezing cycle and the following defrost related to it.

FANS

- FnC Fans operating mode:** C-n= runs with the compressor, OFF during defrost;
 o-n = continuous mode, OFF during defrost;
 C-Y = runs with the compressor, ON during defrost;
 o-Y = continuous mode, ON during defrost;
- Fnd Fans delay after defrost:** (0+255min) Time interval between end of defrost and evaporator fans start.
- Fct Temperature differential avoiding short cycles of fans** (0+59°C; Fct=0 function disabled). If the difference of temperature between the evaporator and the room probes is more than the value of the Fct parameter, the fans are switched on.
- FSt Fans stop temperature:** (-50+50°C/122°F) setting of temperature, detected by evaporator probe, above which fans are always OFF.

ALARMS

- **ALC Temperature alarms configuration:** (Ab; rE)
 Ab= absolute temperature: alarm temperature is given by the ALL or ALU values.
 rE = temperature alarms are referred to the set point. Temperature alarm is enabled when the temperature exceeds the "SET+ALU" or "SET-ALL" values.
- ALU MAXIMUM temperature alarm:** (SET+110°C; SET+230°F) when this temperature is reached the alarm is enabled, after the "ALd" delay time.
- ALL Minimum temperature alarm:** (-50.0 ÷ SET°C; -58÷230°F) when this temperature is reached the alarm is enabled, after the "ALd" delay time.
- **ALd Temperature alarm delay:** (0+255 min) time interval between the detection of an alarm condition and alarm signalling.
- **dAO Exclusion of temperature alarm at startup:** (from 0.0 min to 23.5h) time interval between the detection of the temperature alarm condition after instrument power on and alarm signalling.

DIGITAL INPUT

- i1P Digital input polarity:** oP: the digital input is activated by opening the contact; CL: the digital input is activated by closing the contact.
- i1F Digital input configuration:**
 EAL = external alarm: "EA" message is displayed; bAL = serious alarm "CA" message is displayed. PAL = pressure switch alarm, "CA" message is displayed;
 dor = door switch function; dEF = activation of a defrost cycle; LHT = not enabled;
 Htr = kind of action inversion (cooling – heating).
- did:** (0+255 min)
 with i1F= EAL or i1F = bAL digital input alarm delay: delay between the detection of the external alarm condition and its signalling.
 with i1F= dor: door open signalling delay
 with i1F = PAL: time for pressure switch function: time interval to calculate the number of the pressure switch activation.
- nPS Pressure switch number:** (0 +15) Number of activation of the pressure switch, during the "did" interval, before signalling the alarm event (i2F= PAL).
 If the nPS activation in the did time is reached, switch off and on the instrument to restart normal regulation.
- **odc** Compressor and fan status when open door: no = normal; Fan = Fan OFF; CPr = Compressor OFF; F_C = Compressor and fan OFF.

OTHER

- PbC Type of probe:** it allows to set the kind of probe used by the instrument: PbC = PBC probe, nTC = NTC probe.
- **dP1** First probe display
 - **dP2** Second probe display
 - **rEL** Software release for internal use.
 - **Ptb** Parameter table code: readable only.

8. DIGITAL INPUT

The free contact digital input is programmable in five different configurations by the "i1F" parameter.

8.1 DOOR SWITCH INPUT (i1F = dor)

It signals the door status and the corresponding relay output status through the "odc" parameter:

- no = normal (any change);
- Fan = Fan OFF;
- CPr = Compressor OFF;
- F_C = Compressor and fan OFF.

Since the door is opened, after the delay time set through parameter "did", the door alarm is enabled, the display shows the message "dA" and the regulation restarts. The alarm stops as soon as the external digital input is disabled again. With the door open, the high and low temperature alarms are disabled.

8.2 GENERIC ALARM (i1F = EAL)

As soon as the digital input is activated the unit will wait for "did" time delay before signalling the "EAL" alarm message. The outputs status don't change. The alarm stops just after the digital input is de-activated.

8.3 SERIOUS ALARM MODE (i1F = bAL)

When the digital input is activated, the unit will wait for "did" delay before signalling the "CA" alarm message. The relay outputs are switched OFF. The alarm will stop as soon as the digital input is de-activated.

8.4 PRESSURE SWITCH (i1F = PAL)

If during the interval time set by "did" parameter, the pressure switch has reached the number of activation of the "nPS" parameter, the "CA" pressure alarm message will be displayed. The compressor and the regulation are stopped. When the digital input is ON the compressor is always OFF.

If the nPS activation in the did time is reached, switch off and on the instrument to restart normal regulation.

8.5 START DEFROST (i1F = dFr)

It starts a defrost if there are the right conditions. After the defrost is finished, the normal regulation will restart only if the digital input is disabled otherwise the instrument will wait until the "Mdf" safety time is expired.

8.6 INVERSION OF THE KIND OF ACTION: HEATING-COOLING (i1F = Htr)

This function allows to invert the regulation of the controller: from cooling to heating and viceversa.

8.7 DIGITAL INPUTS POLARITY

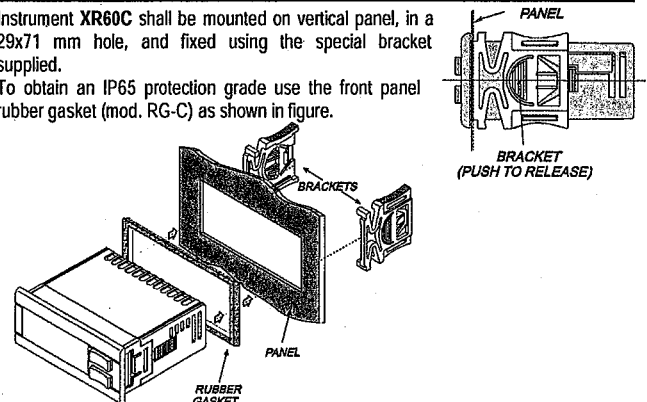
The digital input polarity depends on the "i1P" parameter.

- i1P=CL: the input is activated by closing the contact.
- i1P=OP: the input is activated by opening the contact

9. INSTALLATION AND MOUNTING

Instrument XR60C shall be mounted on vertical panel, in a 29x71 mm hole, and fixed using the special bracket supplied.

To obtain an IP65 protection grade use the front panel rubber gasket (mod. RG-C) as shown in figure.



The temperature range allowed for correct operation is 0+60 °C. Avoid places subject to strong vibrations, corrosive gases, excessive dirt or humidity. The same recommendations apply to probes. Let air circulate by the cooling holes.

10. ELECTRICAL CONNECTIONS

The instrument is provided with screw terminal block to connect cables with a cross section up to 2,5 mm². Before connecting cables make sure the power supply complies with the instrument's requirements. Separate the probe cables from the power supply cables, from the outputs and the power connections. Do not exceed the maximum current allowed on each relay, in case of heavier loads use a suitable external relay.

10.1 PROBE CONNECTION

The probes shall be mounted with the bulb upwards to prevent damages due to casual liquid infiltration. It is recommended to place the thermostat probe away from air streams to correctly measure the average room temperature. Place the defrost termination probe among the evaporator fins in the coldest place, where most ice is formed, far from heaters or from the warmest place during defrost, to prevent premature defrost termination.

11. HOW TO USE THE HOT KEY**11.1 HOW TO PROGRAM A HOT KEY FROM THE INSTRUMENT (UPLOAD)**

1. Program one controller with the front keypad.
2. When the controller is ON, insert the "Hot key" and push ^ key; the "uPL" message appears followed a by flashing "End"
3. Push "SET" key and the End will stop flashing.
4. Turn OFF the instrument remove the "Hot Key", then turn it ON again.

NOTE: the "Err" message is displayed for failed programming. In this case push again ^ key if you want to restart the upload again or remove the "Hot key" to abort the operation.

11.2 HOW TO PROGRAM AN INSTRUMENT USING A HOT KEY (DOWNLOAD)

1. Turn OFF the instrument.
2. Insert a programmed "Hot Key" into the 5 PIN receptacle and then turn the Controller ON.
3. Automatically the parameter list of the "Hot Key" is downloaded into the Controller memory, the "doL" message is blinking followed a by flashing "End".
4. After 10 seconds the instrument will restart working with the new parameters.
5. Remove the "Hot Key".

NOTE the message "Err" is displayed for failed programming. In this case turn the unit off and then on if you want to restart the download again or remove the "Hot key" to abort the operation.

12. ALARM SIGNALS

Message	Cause	Outputs
"P1"	Room probe failure	Compressor output according to par. "Con" and "COF"
"P2"	Evaporator probe failure	Defrost end is timed
"HA"	Maximum temperature alarm	Outputs unchanged.
"LA"	Minimum temperature alarm	Outputs unchanged.
"dA"	Door open	Compressor and fans restarts
"EA"	External alarm	Output unchanged.
"CA"	Serious external alarm (i1F=bAL)	All outputs OFF.
"CA"	Pressure switch alarm (i1F=PAL)	All outputs OFF

12.1 ALARM RECOVERY

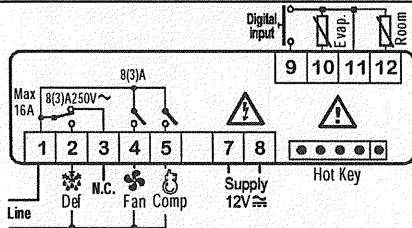
Probe alarms "P1" and "P2" start some seconds after the fault in the related probe; they automatically stop some seconds after the probe restarts normal operation. Check connections before replacing the probe.
 Temperature alarms "HA" and "LA" automatically stop as soon as the thermostat temperature returns to normal values and when defrost starts.
 Alarms "EA" and "CA" (with i1F=bAL) recover as soon as the digital input is disabled.
 Alarm "CA" (with i1F=PAL) recovers only by switching off and on the instrument.

13. TECHNICAL DATA

Housing: self extinguishing ABS.
Case: XR60C frontal 32x74 mm; depth 60mm;
Mounting: XR60C panel mounting in a 71x29mm panel cut-out
Protection: IP20; **Frontal protection:** IP65 with frontal gasket RG-C (optional).
Connections: Screw terminal block ≤ 2,5 mm² wiring.
Power supply: according to the model: 12Vac/dc, ±10%; 24Vac/dc, ±10%; 230Vac ±10%, 50/60Hz, 110Vac ±10%, 50/60Hz
Power absorption: 3VA max
Display: 3 digits, red LED, 14,2 mm high.
Inputs: 2 NTC or PTC probes.
Digital input: free contact
Relay outputs
 compressor: SPST relay 8(3) A, 250Vac or SPST relay 16(6)A; 250Vac
 defrost: SPDT relay 8(3) A, 250Vac
 fan: SPST relay 8(3) A, 250Vac
Data storing: on the non-volatile memory (EEPROM).
Kind of action: 1B; **Pollution grade:** normal; **Software class:** A.
Operating temperature: 0÷60 °C; **Storage temperature:** -30÷85 °C.
Relative humidity: 20÷85% (no condensing)
Measuring and regulation range: **NTC probe:** -40÷110 °C (-40÷230 °F);
PTC probe: -50÷150 °C (-58÷302 °F)
Resolution: 0,1 °C or 1 °C or 1 °F (selectable).
Accuracy (ambient temp. 25 °C): ±0,7 °C ±1 digit

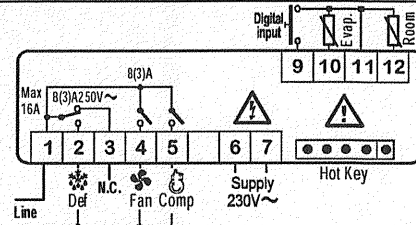
14. CONNECTIONS

14.1 XR60C - 12VAC/DV OR 24 VAC/DV



NOTE: The compressor relay is 8(3)A or 16(6)A according to the model. **24Vac/dc supply:** connect to the terminals 7 and 8.

14.2 XR60C - 120VAC OR 230 VAC



NOTE: The compressor relay is 8(3)A or 16(6)A according to the model. **120Vac supply:** connect to the terminals 6 and 7.

15. DEFAULT SETTING VALUES

Label	Name	Range	°C/°F
Set	Set point	LS÷US	-5/0
Hy	Differential	0,1÷25,5°C / 1÷ 255°F	2/4
LS	Minimum set point	-50°C÷SET/-58°F÷SET	-50/-58
US	Maximum set point	SET÷110°C / SET ÷ 230°F	110/230
Ot	Thermostat probe calibration	-12÷12°C / -120÷120°F	0
P2P	Evaporator probe presence	n=not present; Y=pres.	y
OE	Evaporator probe calibration	-12÷12°C / -120÷120°F	0
OdS	Outputs delay at start up	0÷ 255 min	0
AC	Anti-short cycle delay	0 ÷ 50 min	1
CCt	Continuous cycle duration	0,0÷24,0h	0,0
COOn	Compressor ON time with faulty probe	0 ÷ 255 min	15
COF	Compressor OFF time with faulty probe	0 ÷ 255 min	30
CF	Temperature measurement unit	°C ÷ °F	°C/°F
rES	Resolution	in=integer; dE= dec.point	dE/-
Lod	Probe displayed	P1;P2	P1
tdF	Defrost type	EL=el. heater; in= hot gas	EL
dTE	Defrost termination temperature	-50 ÷ 50 °C	8/46
IdF	Interval between defrost cycles	1 ÷ 120 ore	6
MdF	(Maximum) length for defrost	0 ÷ 255 min	30
dSD	Start defrost delay	0÷99min	0
dFd	Displaying during defrost	rt, it, SEt, DEF	it
dAd	MAX display delay after defrost	0 ÷ 255 min	30
Fdt	Draining time	0÷ 120 min	0
dPo	First defrost after startup	n=after IdF; y=immed.	n
dAF	Defrost delay after fast freezing	0 ÷ 23h e 50'	0,0
Fnc	Fan operating mode	C-n, o-n, C-y, o-Y	o-n
Fnd	Fan delay after defrost	0÷255min	10
Fct	Differential of temperature for forced activation of fans	0÷50°C	10
FSt	Fan stop temperature	-50÷50°C/-58÷122°F	2/35
ALC	Temperat. alarms configuration	rE= related to set; Ab= absolute	Ab
ALU	MAXIMUM temperature alarm	Set÷110,0°C; Set÷ 230°F	110/230
ALL	Minimum temperature alarm	-50,0°C÷SeI/-58°F÷Set	-50/-58
ALd	Temperature alarm delay	0 ÷ 255 min	15
dAO	Delay of temperature alarm at start up	0 ÷ 23h e 50'	1,30
i1P	Digital input polarity	oP=opening;CL=closing	CL
i1F	Digital input configuration	EAL=extern. alarm; bAL=lock regulation; PAL=press. switch; dor=door switch; dEF=defrost; LH=disabled; Htr= heating -cooling	dor
did	Digital input alarm delay	0÷255min	15
Nps	Number of activation of pressure switch	0 ÷ 15	15
odc	Compressor and fan status when open door:	no = normal; Fan = Fan OFF; CPr = Compr. OFF; F_C = Compr & fan OFF	F-C
PbC	Kind of probe	Ptc; ntc	ntc/Ptc
dP1	Room probe display	--	--
dP2	Evaporator probe display	--	--
rEL	Software release	--	2,7
Ptb	Map code	--	--

Hidden parameters



Dixell s.r.l. Z.I. Via dell'Industria, 27
 32010 Pieve d'Alpago (BL) ITALY
 tel. +39 - 0437 - 98 33 - fax +39 - 0437 - 98 93 13
 E-mail: dixell@dixell.com - http://www.dixell.com

MODEL BPL425 REPLACEMENT PARTS LIST

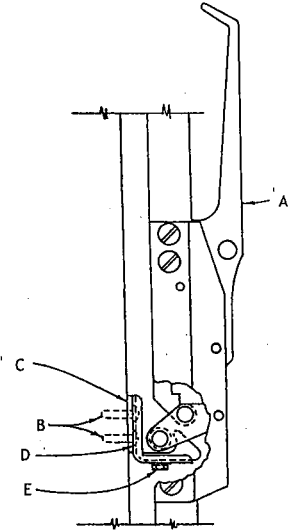
Part Number	Description
04503H01	Fan Blade, Condenser
24738G05	Fan Motor, Condenser
302543H01	Refrigerant Filter-Drier
306273H02	Solenoid Valve (less coil)
306274H01	Solenoid Valve Coil
36481H01	Suction Accumulator
49232H01	Crankcase Pressure Regulating Valve
69949H124	Motor Compressor
81475H03	Oil Separator
46205H05	Refrigerant Oil
306320G02	Evaporator Assembly
63285H16	Start Relay
41678H22	Run Capacitor
41678H32	Start Capacitor
49177H09	Relay, 30 amp
306224H01	Drain Line Heater
310563H01	Holder, Drain Line Heater
34002H01	Clip (for use with Holder above)
307913H01	Shelf Standard (Pilaster)
304859G01	Drawer Slide Assembly
304860G01	Drawer (Freezer)
306679G01	Cold Saver Door
49060H07	Caster, 2" With Brake
49060H04	Caster, 2" Without Brake
306065H02	Condensate Heater
306249G01	Condensate Pan
306038H01	Recorder, 7"

306241H01	Recorder Charts
307797H01	Transformer
307187H01	Temperature Control
118006	Switch, Main Power
306064H01	HP 2000 Monitor
306317H01	Temperature Sensor, HP 2000 Monitor
306083H01	Door Switch
306042H01	Bottle, Temperature Sensor, 8 oz Plastic
306639H01	Cap for Bottle Above
48951H06	Service Cord
306096H09	Door Gasket
306061H01	Door Latch and Strike
306063H01	Door Hinge

HINGE & LATCH ADJUSTMENT

LATCH & STRIKE ADJUSTMENT

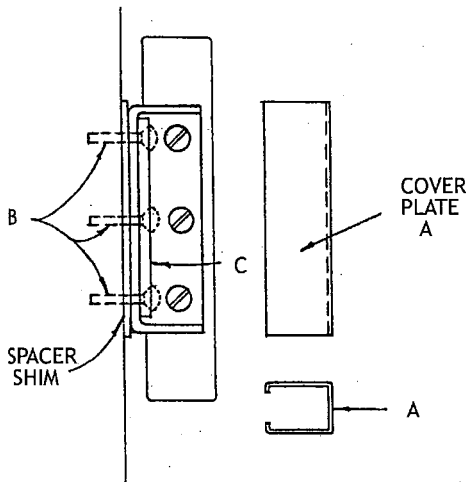
1. Latch as fastened to door.
2. For up or down adjustment (proper latch engagement,) loosen mounting screws "B".
3. Strike plate "C" remains in position.
4. Move strike "D" up or down as required and tighten screws "B" when adjustment is satisfactory. No play will be present in the latch handle with the door closed.
5. For in and out adjustment (proper gasket seal) loosen screw "E". Adjust in or out as required and tighten screw when adjustment is satisfactory.
6. The stainless steel hex head cap screw is 10/32" X 5/16" long, or use JEWETT part number BLT03C02A006. Use box wrench, open-end wrench, or ratchet to tighten. Do not use a nut driver or pliers.



⚡ NOTE: If replacing latch and strike assembly, make sure to reuse any shims furnished on the cabinet.

HINGE ADJUSTMENT

1. Latch as fastened to door.
2. Remove exterior hinge cover plate by opening the refrigerator door. Place a screwdriver under interior portion of cover and gently pry cover outward. Pull straight out. Close cover.
3. Loosen the three (3) screws "B" which hold adjusting plate "C" in position
4. To tighten gasket seal, place hand against exterior of door near hinges; gently press in on door so gasket sits firmly against cabinet face. Tighten screws "B".



When adjustment is complete, if hinges are adjusted so gasket seal is too tight, door will tend to spring open. Door must be readjusted. To test gasket seal - insert a dollar bill (or piece of paper of similar size) between the gasket and the cabinet opening; close door - a slight resistance to removal of the dollar bill (test strip) should be felt - check perimeter of door. If latch is loose, see latch-adjusting information. Then replace cover plate A.

NOTE: To accomplish different offsets, shims are utilized. If replacing hinges, make sure to reuse any shims furnished on the cabinet.

TROUBLESHOOTING SERVICE CHART

	SYMPTOM	POSSIBLE CAUSE	POSSIBLE CORRECTIVE STEP
A	Compressor will not start, no hum	1. Line disconnect switch open.	1. Close disconnect switch
		2. Fuse blown or breaker tripped.	2. Check electrical circuits and motor windings for shorts or grounds. Investigate for possible overloading. Replace fuse or reset breaker after fault is corrected.
		3. Thermal overload tripped.	3. Overloads are automatically reset. Check unit closely when compressor comes back on line.
		4. No cooling required	4. None. Wait until control calls for cooling.
		5. Control contacts stuck in open position.	5. Replace control.
		6. Loose wiring.	6. Check all wiring junctions, and tighten all terminal screws.
		7. Improper wiring	7. Check wiring against diagram.
		8. Liquid line solenoid valve will not open.	8. Repair or replace solenoid coil
		9. Motor electrical trouble.	9. Check motor for open windings, Short circuit or burn out.
		10. Liquid line solenoid will not open.	10. Repair or replace coil.
B	Compressor will not start, hums but trips on thermal overload.	1. Low voltage to unit.	1. Determine reason and correct.
		2. Start capacitor failure or wrong.	2. Replace start capacitor.
		3. Run capacitor failure or wrong.	3. Replace run capacitor.
		4. Start relay failure or wrong.	4. Replace start relay.
		5. Motor electrical trouble.	5. Check motor for open windings, Short circuit or burn out.
		6. Internal mechanical trouble in compressor.	6. Replace compressor.
		7. Improper wiring	7. Check wiring against diagram.
		8. Excessively high discharge pressure.	8. See high discharge pressure symptom.
C	Compressor starts, but does not switch off of start winding.	1. Low voltage to unit.	1. Determine reason and correct.
		2. Run capacitor failure or wrong.	2. Replace run capacitor.
		3. Start capacitor failure or wrong.	3. Replace start capacitor.
		4. Start relay failure or wrong.	4. Replace start relay.
		5. Motor electrical trouble.	5. Check motor for open windings, Short circuit or burn out.
		6. Internal mechanical trouble in compressor.	6. Replace compressor.
		7. Improper wiring.	7. Check wiring against diagram.
		8. Excessively high discharge pressure.	8. See high discharge pressure symptom.

TROUBLESHOOTING SERVICE CHART

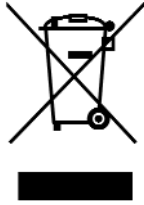
	SYMPTOM	POSSIBLE CAUSE	POSSIBLE CORRECTIVE STEP
D	Compressor starts and runs, but short cycles on overload protector.	1. Excessively high discharge pressure.	1. See high discharge pressure symptom.
		2. Low voltage to unit.	2. Determine reason and correct.
		3. High voltage to unit.	3. Determine reason and correct.
		4. Thermal overload protector defective.	4. Check current, Replace protector.
		5. Run capacitor failure or wrong.	5. Replace run capacitor.
		6. Motor electrical trouble.	6. Check motor for open windings, Short circuit or burn out.
		7. Improper wiring causing additional current to pass through overload protector.	7. Check wiring diagram. Check for added fan motors, heaters, etc., connected to wrong side of protector.
E	Compressor starts and runs, but short cycles on temperature or pressure controls.	1. Differential set too close.	1. Widen differential.
		2. High discharge pressure.	2. See high discharge pressure symptom.
		3. Low discharge pressure.	1. See low discharge pressure symptom.
F	Compressor runs long or continuously.	1. Shortage of refrigerant.	1. Leak check and repair.
		2. Control contacts stuck or frozen.	2. Clean contacts or replace control.
		3. Refrigerated air space has an excessive load.	3. Determine reason and correct.
		4. Dirty Condenser	4. Clean condenser.
		5. Evaporator coil iced.	5. Defrost and check defrost circuit.
		6. Restriction in refrigeration system.	6. Determine location and remove.
		7. Evaporator fan motors not running.	7. Determine reason and correct. Check door switch.
G	Compressor noisy or vibrating.	1. Flooding of refrigerant into crankcase.	1. Check expansion device and refrigerant charge.
		2. Improper piping support.	2. Relocate tubing or add hangers.
		3. Worn compressor.	3. Replace compressor.
		4. Loose parts or mounting.	4. Find and tighten.
		5. Condenser fan blade loose or impeded.	5. Check and repair.
H	High Discharge pressure.	1. Non-condensable in system.	1. Remove the non-condensable.
		2. System overcharged with refrigerant.	2. Correct the charge.
		3. Discharge shutoff valve partially closed.	3. Open valve.
		4. Condenser fans not running.	4. Check electrical circuit.
		5. Dirty condenser.	5. Clean.
I	Low discharge pressure.	1. Suction shutoff valve partially closed.	1. Open valve.
		2. Insufficient refrigerant in system.	2. Check for leaks. Repair and add charge.
		3. Low suction pressure.	2. See low suction pressure symptom. 3.

TROUBLESHOOTING SERVICE CHART

	SYMPTOM	POSSIBLE CAUSE	POSSIBLE CORRECTIVE STEP
J	High suction pressure.	1. Excessive load.	1. Reduce load or add additional equipment.
		2. Expansion valve overfeeding.	2. Check remote bulb. Adjust superheat.
K	Low suction pressure.	1. Insufficient refrigerant in system.	1. Check for leaks. Repair and add charge.
		2. Restriction in refrigeration system. Most notably the liquid line filter drier or capillary.	2. Determine location and remove.
		3. Expansion valve malfunctioning.	3. Check and reset for proper superheat.
L	Suction line frosted or sweating.	1. Expansion valve passing excess refrigerant or is oversized.	1. Readjust valve or replace with smaller valve.
		2. Expansion valve stuck open.	2. Clean valve of foreign particles, and replace if necessary.
		3. Evaporator fan motors not running.	3. Determine reason and correct. Check door switch.
		4. System overcharged with refrigerant.	4. Correct the charge.
M	Liquid line frosted or sweating	1. Restriction in liquid line filter drier.	1. Determine location and remove.
		2. Liquid line shutoff valve partially closed.	2. Open valve.
N	Ice accumulating on ceiling around evaporator and/or on fan guards or blades.	1. Defrost duration too long.	1. Adjust defrost termination.
		2. Fan delay not delaying fans after defrost period.	2. Defective fan delay thermostat. Replace.
		3. Defective timer.	3. Replace.
		4. Too many defrost cycles per day.	4. Adjust timer for less defrost cycles.
O	Evaporator coil not clearing of frost during defrost cycle.	1. Coil temperature not getting above freezing point during defrost.	1. Check heater operation, or hot gas solenoid valve.
		2. Not enough defrost cycles per day.	2. Adjust timer for more defrost cycles.
		3. Defrost cycle too short.	3. Adjust timer for longer defrost cycle.
		4. Poor door seal.	4. Adjust door latch, install new gasket.
		5. Defective timer or defrost thermostat.	5. Replace defective component.
P	Ice accumulating in drain pan.	1. Defective heater.	1. Replace heater.
		2. Unit not pitched properly.	2. Check and adjust if necessary.
		3. Drain line plugged.	3. Clean drain line.
		4. Defective drain line heater.	4. Replace heater.
		5. Poor contact between drain pan and heater element.	5. Repair.
		6. Defective timer or defrost thermostat.	6. Replace defective component.

WEEE Compliance

Great Britain



WEEE Compliance. This products is required to comply with the European Union's Waste Electrical & Electronic Equipment (WEEE) Directive 2002/96EC. It is marked with the following symbol. Thermo Scientific has contracted with one or more recycling/disposal companies in each EU Member State, and this products should be disposed of or recycling through them. Further information on Thermo Scientific's compliance with these Directives, the recyclers in your country, and information on Thermo Scientific products which may assist the detection of substances subject to the RoHS Directive are available at www.thermo.com/WEEERoHS

Deutschland



WEEE Konformität. Dieses Produkt muss die EU Waste Electrical & Electronic Equipment (WEEE) Richtlinie 2002/96EC erfüllen. Das Produkt ist durch folgendes Symbol gekennzeichnet. Thermo Scientific hat Vereinbarungen getroffen mit Verwertungs-/Entsorgungsanlagen in allen EU-Mitgliederstaaten und dieses Produkt muss durch diese Firmen wiederverwertet oder entsorgt werden. Mehr Informationen über die Einhaltung dieser Anweisungen durch Thermo Scientific, die Verwerter und Hinweise die Ihnen nützlich sein können, die Thermo Scientific Produkte zu identifizieren, die unter diese RoHS Anweisung fallen, finden Sie unter www.thermo.com/WEEERoHS

Italia



Conformità WEEE. Questo prodotto deve rispondere alla direttiva dell'Unione Europea 2002/96EC in merito ai Rifiuti degli Apparecchi Elettrici ed Elettronici (WEEE). È marcato col seguente simbolo. Thermo Scientific ha stipulato contratti con una o diverse società di riciclaggio/smaltimento in ognuno degli Stati Membri Europei. Questo prodotto verrà smaltito o riciclato tramite queste medesime. Ulteriori informazioni sulla conformità di Thermo Scientific con queste Direttive, l'elenco delle ditte di riciclaggio nel Vostro paese e informazioni sui prodotti Thermo Scientific che possono essere utili alla rilevazione di sostanze soggette alla Direttiva RoHS sono disponibili sul sito www.thermo.com/WEEERoHS

France



Conformité WEEE. Ce produit doit être conforme à la directive européenne (2002/96EC) des Déchets d'Equipements Electriques et Electroniques (DEEE). Il est marqué par le symbole suivant. Thermo Scientific s'est associé avec une ou plusieurs compagnies de recyclage dans chaque état membre de l'union européenne et ce produit devrait être collecté ou recyclé par celles-ci. Davantage d'informations sur la conformité de Thermo Scientific à ces directives, les recycleurs dans votre pays et les informations sur les produits Thermo Scientific qui peuvent aider le détection des substances sujettes à la directive RoHS sont disponibles sur www.thermo.com/WEEERoHS

Important

For your future reference and when contacting the factory, please have the following information readily available:

Model Number: _____

Serial Number: _____

Date Purchased: _____

The above information can be found on the dataplate attached to the equipment. If available, please provide the date purchased, the source of purchase (specific agent/rep organization), and purchase order number.

IF YOU NEED ASSISTANCE:

SALES DIVISION

Phone: 828/658-4455
800/879-7767

FAX: 828/645-0363

LABORATORY PARTS and SERVICE

Phone: 800/438-4851

FAX: 828/658-2576

TECHNICAL SUPPORT

Phone: 800/438-4851

WEB SITE: www.jewettonline.com

275 Aiken Road
Asheville, NC 28804
U.S.A.