



thermoscientific

Vanquish Charger

Operating Manual

4829.0001-EN Revision 2.0 • March 2023



ThermoFisher
SCIENTIFIC

Copyright © 2023 Thermo Fisher Scientific Inc. All rights reserved.

Original Operating Manual

The hardware descriptions in this manual revision refer to devices: VH-A90-A.

Trademarks

Acrobat, Adobe, and Adobe Reader are trademarks of Adobe Systems Incorporated.

Torx is a trademark of Acument Intellectual Properties, LLC.

All other trademarks are property of Thermo Fisher Scientific and its subsidiaries.

Disclaimer

Thermo Fisher Scientific Inc. provides this document to its customers with a product purchase to use in the product operation. The document is copyright protected; any reproduction of the whole or any part of this document is strictly prohibited, except with the written authorization of Thermo Fisher Scientific Inc.

This manual is provided "as is." The contents of this manual are subject to being changed, without notice, in future revisions.

Thermo Fisher Scientific Inc. makes no representations that this document is complete, accurate, or error-free. Thermo Fisher Scientific Inc. assumes no responsibility and will not be liable for any errors, omissions, damage, or loss that might result from any use of this document, even if the information in the document is followed properly.

This document is not part of any sales contract between Thermo Fisher Scientific Inc. and a purchaser. This document shall in no way govern or modify any Terms and Conditions of Sale. The Terms and Conditions of Sale shall govern all conflicting information between the two documents.

Printed manual version only

Printed in Germany on 100% chlorine-free bleached, high-white paper that is produced in an environmentally friendly process, leading to a paper profile of zero CO₂ emissions.

Manufacturer's address

Thermo Electron LED GmbH
Robert-Bosch-Straße 1, D – 63505 Langenselbold

Contacting Us

There are several ways to contact us:

Ordering Information

For ordering information or sales support for HPLC products, contact your local Thermo Fisher Scientific sales organization. For contact information, go to Contact Us on <http://www.thermofisher.com>.

Technical Assistance

For technical support for HPLC products, contact your local Thermo Fisher Scientific support organization. For contact information, go to Contact Us on <http://www.thermofisher.com>.

Contents

1	Using this Manual	9
1.1	About this Manual	10
1.2	Conventions	11
1.2.1	Conventions for Safety Messages	11
1.2.2	Special Notices	11
1.2.3	Typographical Conventions	12
1.3	Reference Documentation	13
2	Safety	15
2.1	Safety Symbols and Signal Words	16
2.1.1	Safety Symbols and Signal Words in this Manual	16
2.1.2	Observing this Manual	16
2.1.3	Safety Symbols on the Device	17
2.1.4	Rating Plate/Type Label	17
2.2	Intended Use	18
2.3	Safety Precautions	19
2.3.1	General Safety Information	19
2.3.2	Qualification of the Personnel	19
2.3.3	Personal Protective Equipment	20
2.3.4	Electrical Safety Precautions	21
2.3.5	General Residual Hazards	21
2.3.6	In Case of Emergency	23
2.4	Compliance Information	24
3	Device Overview	25
3.1	Charger Features	26
3.2	Operating Principle	27
3.3	Interior Components	28
3.3.1	LED Status Indicators	28
3.3.2	Shelf	29
3.3.3	Mover	30
3.4	Device Connections	31
3.5	Operation	32

4	Unpacking	33
4.1	Unpacking	34
4.2	Scope of Delivery	36
5	Installation	37
5.1	Safety Guidelines for Installation	38
5.2	Site Requirements.....	39
5.2.1	Power Considerations	39
5.2.2	Power Cord.....	39
5.2.3	Condensation	40
6	Operation	41
6.1	Introduction to this Chapter	42
6.2	Safety Guidelines for Operation.....	43
6.3	Control Elements	44
6.3.1	Status Indicators.....	44
6.3.2	Power Switch.....	45
6.4	Preparing the Device for Operation	46
6.4.1	Temperature Control in the Charger Compartment	46
6.4.2	Loading Sample Racks or Well Plates	47
6.4.3	Selecting the Rack Type.....	50
6.5	Important Settings for Operation	51
6.6	Shutting Down the Device	52
7	Maintenance	53
7.1	Introduction to Maintenance.....	54
7.2	Safety Guidelines for Maintenance.....	55
7.3	Routine and Preventive Maintenance	56
7.3.1	Maintenance Plan	56
7.3.2	Cleaning or Decontaminating the Device.....	56
7.4	Updating the Device Firmware	59
7.5	Transporting or Shipping the Device.....	61
7.5.1	Preparing the Device for Transport.....	62
7.5.2	Transporting the Device to a New Location	65
7.5.3	Shipping the Device.....	65

8	Troubleshooting	67
8.1	General Information about Troubleshooting.....	68
8.2	Messages.....	70
9	Specifications	73
9.1	Performance Specifications	74
9.2	Physical Specifications	75
10	Accessories, Consumables and Replacement Parts	77
10.1	General Information	78
10.2	Ordering Information.....	79
11	Compliance Information	81
11.1	Declarations of Conformity.....	82
11.2	WEEE Compliance	83
11.3	FCC Compliance	84
11.4	Manual Release History	85
	Index	87

1 Using this Manual

This chapter provides information about this manual, the conventions used throughout the manual, and the reference documentation that is available in addition to this manual.

1.1 About this Manual

This manual describes the functional features and operating principle of your Vanquish™ device and provides instructions for installation, set up, start up, shut down, operation, maintenance and troubleshooting.

This manual also contains safety messages, precautionary statements, and special notices. Follow these properly to prevent personal injury, damage to the device, or loss of data.

Note the following:

- The device configuration may vary; therefore, not all descriptions necessarily apply to your particular device.
- If some detail applies to only one model or variant, the model or variant is identified by name.
- Illustrations in this manual are provided for basic understanding. They can vary from the actual model of the device or component. However, this does not influence the descriptions. No claims can be derived from the illustrations in this manual.
- The Charger is also referred to as *device* in this manual.

1.2 Conventions

This section describes the conventions that are used throughout this manual.

1.2.1 Conventions for Safety Messages

The safety messages and precautionary statements in this manual appear as follows:

- Safety messages or precautionary statements that apply to the entire manual and all procedures in this manual are grouped in the Safety chapter.
- Safety messages or precautionary statements that apply to an entire section or to multiple procedures in a section appear at the beginning of the section to which they apply.
- Safety messages that apply to only a particular section or procedure appear in the section or procedure to which they apply. They appear different from the main flow of text.

Safety messages are often preceded by an alert symbol and/or alert word. The alert word appears in uppercase letters and in bold type.

Make sure that you understand and follow all safety messages presented in this manual.

1.2.2 Special Notices

Special notices and informational notes in this manual appear different from the main flow of text. They appear in boxes and a note label identifies them. The label text appears in uppercase letters and in bold type.

NOTICE

Highlights information necessary to prevent damage to the device or invalid test results.

TIP Highlights information of general interest or helpful information that can make a task easier or optimize the performance of the device.

1.2.3 Typographical Conventions

These typographical conventions apply to the descriptions in this manual:

Data Input and Output

The following appears in **bold** type:

- Input that you enter by the keyboard or that you select with the mouse
- Buttons that you click on the screen
- Commands that you enter by the keyboard
- Names of, for example, dialog boxes, properties, and parameters

For brevity, long expressions and paths appear in the condensed form, for example: Click **File > Save as**.

References and Messages

- References to additional documentation appear *italicized*.
- Messages that appear on the screen are identified by quotation marks.

Viewpoint

If not otherwise stated, the expressions *left* and *right* in this manual always refer to the viewpoint of a person that is facing the device from the front.

Particularly Important Words

Particularly important words in the main flow of text appear *italicized*.

Electronic Manual Version (PDF)

The electronic version (PDF) of the manual contains numerous links that you can click to go to other locations within the manual. These include:

- Table of contents entries
- Index entries
- Cross-references (in blue text)

1.3 Reference Documentation

In addition to this operating manual, other documentation is available for reference.

Hardware Documentation

Additional hardware documentation includes the following:

- *Operating manuals* for the other modules of the Vanquish system
- *Vanquish System Operating Manual*
- *Instrument Installation Qualification Operating Instructions*

Thermo Fisher Scientific provides up-to-date operating manuals as PDF (Portable Document Format) files that you can access from our customer manuals web site. To open and read the PDF files, Adobe™ Reader™ or Adobe™ Acrobat™ is required.

Go to the following web site: www.thermofisher.com/HPLCmanuals

Software Documentation

Additional software documentation includes the following:

- *Chromeleon™ Help and documents*
The *Chromeleon Help* provides extensive information and comprehensive reference material for all aspects of the software.

In addition, the following documentation is available (availability depends on the software version):

- *Installation Guide*
For basic information about device installation and configuration, refer to the *Installation Guide*.
- *Instrument Configuration Manager Help*
For specific information about a certain device, refer to the *Instrument Configuration Manager Help*. In Chromeleon 7, devices are called modules.
- *Quick Start Guide*
For information about the main elements of the user interface and step-by-step guidance through the most important workflows, refer to the *Quick Start Guide*.
- *Reference Card*
For a concise overview of the most important workflows, refer to the *Reference Card*.

TIP The *Chromeleon Help* and documents are included in the software shipment.

Third-Party Documentation

Refer also to the user documentation provided by the manufacturers of third-party components and materials, for example, Safety Data Sheets (SDSs).

2 Safety

This chapter provides general and specific safety information and informs about the intended use of the device.

2.1 Safety Symbols and Signal Words

2.1.1 Safety Symbols and Signal Words in this Manual

This manual contains safety messages to prevent injury of the persons using the device.

The safety symbols and signal words in this manual include the following:



Always be aware of the safety information. Do not proceed until you have fully understood the information and consider the consequences of what you are doing.



CAUTION

Indicates a hazardous situation that, if not avoided, could result in minor or moderate injury.



WARNING

Indicates a hazardous situation that, if not avoided, could result in serious injury.

2.1.2 Observing this Manual

Observe the following:




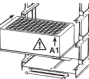
- Before installing or operating the device, read this manual carefully to be familiar with the device and this manual. The manual contains important information with regard to user safety as well as use and care of the device.
- Always keep the manual near the device for quick reference.
- Save this manual and pass it on to any subsequent user.



Read, understand, and comply with all safety messages and precautionary statements presented in this manual.

2.1.3 Safety Symbols on the Device

The table lists the safety symbols that appear on the device or on labels affixed to the device. Follow the safety notices in this manual to prevent the risk of operator injury or damage to the device.

Symbol	Description
	Indicates a potential hazard. Refer to this manual to avoid the risk of personal injury and/or to prevent damage to the device.
 O	Power supply is on Power supply is off
	Indicates that the high LED output (according to IEC 62471:2006) produced by the barcode reader in the device may be harmful to the eyes. Do not use light-focusing instruments for viewing the light output.
	Indicates that liquid reservoirs or any other items must not be placed on top of the Charger.
	Indicates that sample racks and well plates must be placed with position A1 in the front right corner.

2.1.4 Rating Plate/Type Label

The rating plate/type label is present behind the front door, on the left-hand side. The rating plate indicates the serial number, part number, line rating, and the manufacturer's address.

An additional label on the left-hand side of the device near the electrical connections indicates the fuse and line rating.

2.2 Intended Use

The device is intended to be part of the Vanquish system.

The intended use of the Vanquish system is to analyze mixtures of compounds in sample solutions.

The device is for use by qualified personnel and in laboratory environment only.

The device and Vanquish system are intended to be used as General Laboratory Equipment (GLE).

They are not intended for use in diagnostic procedures.

Laboratory Practice

Thermo Fisher Scientific recommends that the laboratory in which the Vanquish system is used follow best practices for LC analyses. This includes among others:

- Using appropriate standards
- Regularly running calibration
- Establishing shelf life limits and following them for all consumables used with the system
- Running the system according to the laboratory's verified and validated 'lab developed test' protocol

2.3 Safety Precautions

2.3.1 General Safety Information

All users must observe the general safety information presented in this section and all specific safety messages and precautionary statements elsewhere in this manual during all phases of installation, operation, troubleshooting, maintenance, shutdown, and transport of the device.



If the device is used in a manner not specified by Thermo Fisher Scientific, the protection provided by the device could be impaired. Observe the following:

- Operate the device only within its technical specifications.
- Use only the replacement parts and additional components, options, and peripherals specifically authorized and qualified for the device by Thermo Fisher Scientific.
- Thermo Fisher Scientific cannot be held liable for any damage, material or otherwise, resulting from inappropriate or improper use of the device. If there is any question regarding appropriate usage, contact Thermo Fisher Scientific before proceeding.

Safety Standard

This device is a Safety Class I instrument (provided with terminal for protective grounding). The device has been manufactured and tested according to international safety standards.

Safety Regulations

Always observe national and local safety regulations.

2.3.2 Qualification of the Personnel

Observe the information below on the proper qualification of the personnel installing and/or operating the device.



Installation by Service Engineer only

Service personnel certified by Thermo Fisher Scientific must perform the installation (for brevity, referred to as Thermo Fisher Scientific service engineer).



General Operation

The device is designed to be operated only by trained and qualified personnel in a laboratory environment.

All users must know the hazards presented by the device and the substances they are using. All users should observe the related Safety Data Sheets (SDSs).

Instruction of the Operating Personnel

For any operation of this device, the operator must prepare clear and concise written instructions in the language of the operating and cleaning personnel based on this operating manual, applicable safety data sheets, plant hygiene guidelines, and technical regulations.

2.3.3 Personal Protective Equipment

Wear personal protective equipment and follow good laboratory practice to protect you from hazardous substances. The appropriate equipment depends on the hazard. For advice on the hazards and the equipment required for the substances you are using, refer to the material handling and safety data sheet provided by the vendor.



An eyewash facility and a sink should be available nearby. If any substance contacts your skin or eyes, wash the affected area and seek medical attention.

Protective Clothing

To protect you from chemical splashes, harmful liquids, or other contamination, put on appropriate protective clothing, such as a lab coat.

Protective Eyewear

To prevent liquids from striking your eyes, put on appropriate protective eyewear, such as safety glasses with side shields. If there is a risk of splashing liquids, put on goggles.

Gloves

To protect you from harmful liquids and avoid personal injury during maintenance or service, put on appropriate protective gloves.

2.3.4 Electrical Safety Precautions



WARNING—Electric Shock or Damage to the Device

High voltages are present inside the device that could cause an electric shock or damage to the device.

- Do not make any changes to the electrical or grounding connections.
- If you suspect any kind of electrical damage, disconnect the power cord and contact Thermo Fisher Scientific Technical Support for assistance.
- Do not open the housing or remove protective panels unless specifically instructed to do so in this manual.
- Do not place liquid reservoirs directly upon the device. Liquid might leak into the device and get into contact with electronic components causing a short circuit. Instead, place liquid reservoirs in the solvent rack that is available for the Vanquish system.

2.3.5 General Residual Hazards

Pay attention to the following general residual hazards when working with the device:



WARNING—Hazardous Substances

Solvents, mobile phases, samples, and reagents might contain toxic, carcinogenic, mutagenic, infectious, or otherwise harmful substances. The handling of these substances can pose health and safety risks.

- Be sure that you know the properties of all substances that you are using. Avoid exposure to harmful substances. If you have any doubt about a substance, handle the substance as if it is potentially harmful.
- Wear personal protective equipment as required by the hazard and follow good laboratory practice.
- Reduce the volume of substances to the minimum volume required for sample analysis.
- Do not operate the device in a potentially flammable environment.
- Avoid accumulation of harmful substances. Make sure that the installation site is well ventilated.
- Dispose of hazardous waste in an environmentally safe manner that is consistent with local regulations. Follow a regulated, approved waste disposal program.

**WARNING—Biohazard**

Biohazardous material, for example microorganisms, cell cultures, tissues, body fluids, and other biological agents can transmit infectious diseases. To avoid infections with these agents:

- Assume that all biological substances are at least potentially infectious.
- Wear personal protective equipment as required by the hazard and follow good laboratory practice.
- Dispose of biohazardous waste in an environmentally safe manner that is consistent with local regulations. Follow a regulated, approved waste disposal program.

**WARNING—Hazardous Vapors**

Mobile phases and samples might contain volatile or flammable solvents. The handling of these substances can pose health and safety risks.

- Avoid accumulation of these substances. Make sure that the installation site is well ventilated.
- Avoid open flames and sparks.
- Do not operate the device in the presence of flammable vapors or fumes.

**WARNING—Flammable and Hazardous Vapors**

Flammable or hazardous vapors can escape from improperly sealed sample containers with flammable or volatile samples, and can accumulate inside the device. This can pose health and safety risks and lead to wrong results.

- Use only vials or well plates that are made gas-tight by means of caps, sealing mats, or sealing tapes. Refer to the latest list of closures approved by Thermo Fisher Scientific.
- Inspect vials for cracks or defects before use. Do not use cracked or damaged vials.

**WARNING—Explosion Hazard**

The air gap in the door seal of the device is an engineered safety feature designed to provide adequate air exchange inside the device. Blocking this port may result in the build-up of vapors inside the unit that can result in an explosion hazard.

Do not block or modify this port for any reason.

2.3.6 In Case of Emergency

**WARNING—Safety Hazard**

In case of emergency, disconnect the device from the power line.

2.4 Compliance Information

Thermo Fisher Scientific performs complete testing and evaluation of its products to ensure full compliance with applicable domestic and international regulations. When the device is delivered to you, it meets all pertinent electromagnetic compatibility (EMC) and safety standards as described in this manual.

Changes that you make to the device may void compliance with one or more of these EMC and safety standards. Changes to the device include replacing a part or adding components, options, or peripherals not specifically authorized and qualified for the product by Thermo Fisher Scientific. To ensure continued compliance with EMC and safety standards, replacement parts and additional components, options, and peripherals must be ordered from Thermo Fisher Scientific or one of its authorized representatives.

The device has been shipped from the manufacturing site in a safe condition.

See also

 [Compliance Information](#) (▶ page 81)

3 Device Overview

This chapter introduces you to the device and the main components.

3.1 Charger Features

The device stores sample racks and well plates, and transfers them to the Vanquish autosampler. It includes the following features:

- A shelf to store sample racks and well plates. Different shelves are available for sample racks and well plates of variable heights.
- A mover to transport sample racks and well plates from their position in the shelf to the autosampler carousel and vice versa.
- A temperature control and airflow system to ensure that the temperature within the compartment remains at a set temperature, such that samples can be stored at suitable thermal conditions.
- A barcode reader to identify barcode-labeled sample racks and well plates in the shelf as well as empty shelf positions.
- A sensor to detect if a sample rack or well plate is present on the shovel to prevent the double loading of the shovel, for example, after a power reset.
- An active evaporation system to collect condensation. In case of excessive temperature fluctuations (while cooling and at compartment temperatures below ambient temperature), moisture may condense on the compartment surfaces. To prevent the samples from being humidified, a condensate collector tray traps the condensate and the moisture evaporates from the tray.

3.2 Operating Principle

The mover is the transport system of the Charger. The mover shovel transports sample racks and well plates from the shelf to the free position in the autosampler carousel through a transfer opening in the right Charger side panel. In the same way, the mover shovel transports the sample racks and well plates from the autosampler back into their target position in the shelf.

The picture illustrates how the mover operates:

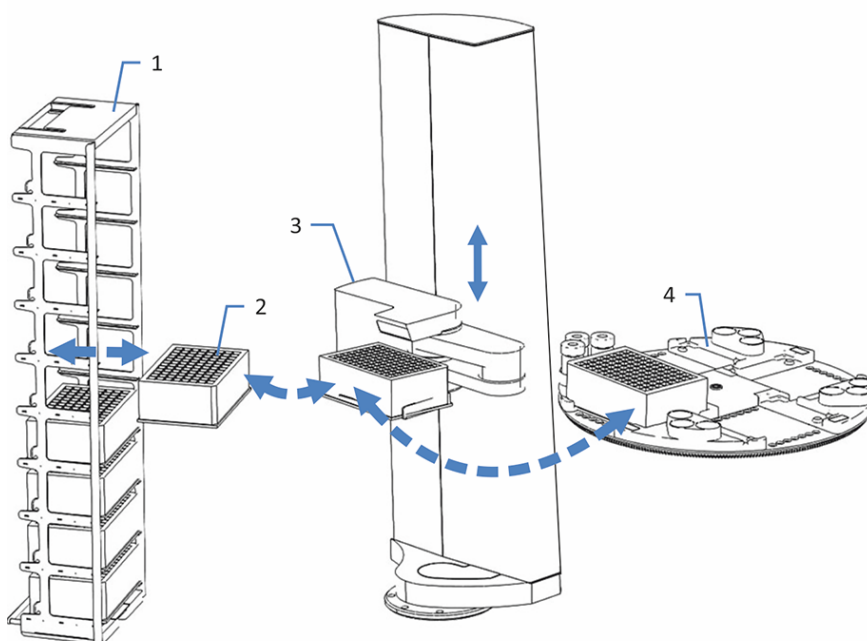


Figure 1: Operating principle

No.	Description
1	Shelf with sample racks and/or well plates (here: deep well plates)
2	Deep well plate being transported
3	Mover
4	Autosampler carousel – a reserved segment (usually yellow segment (Y)) is used for sample racks and well plates delivered from the Charger

3.3 Interior Components

The functional components of the device are located directly behind the front door:

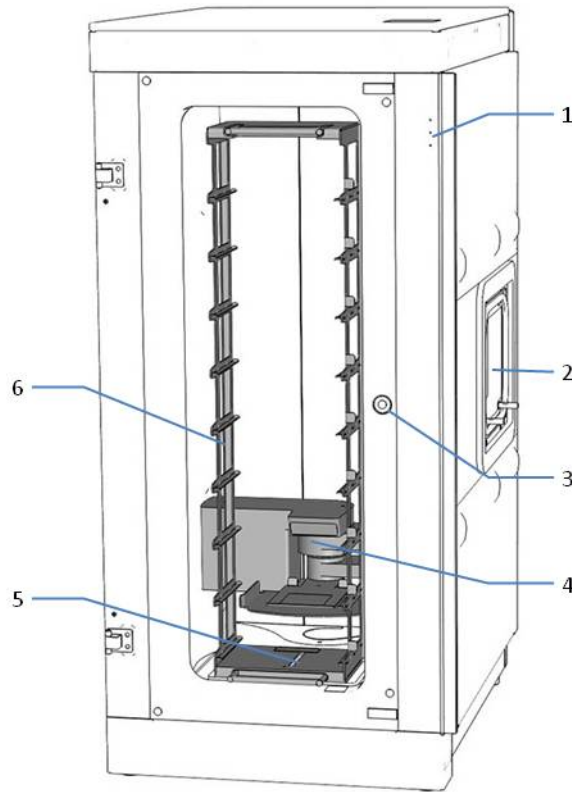


Figure 2: Interior view (door not shown)

No.	Description
1	LED status indicators (on LED cover plate)
2	Transfer opening to autosampler
3	Magnetic door latch
4	Mover
5	Shelf locking rail
6	Shelf

3.3.1 LED Status Indicators

The status indicator Light Emitting Diodes (LEDs) on the front side of the device provide general information about the device status. For details, see [Status Indicators](#) (► page 44).

3.3.2 Shelf

Sample racks and well plates are placed in a shelf that is mounted on the base plate. The shelf is equipped with several guide rails (levels) to accommodate the sample racks and well plates. Each level is labeled with a number.

Shelves are available for sample racks and well plates of different heights. The vertical distance between two guide rails, the so-called pitch, indicates the clear distance of the sample racks or well plate bottoms in millimeters. When selecting shelves, bear in mind that the selected pitch must exceed the height of the sample container (including cover) by at least 5 mm.

The shelf is not included in shipment and must be ordered separately. For a list of available shelves, see [Accessories, Consumables and Replacement Parts](#) (► page 77).

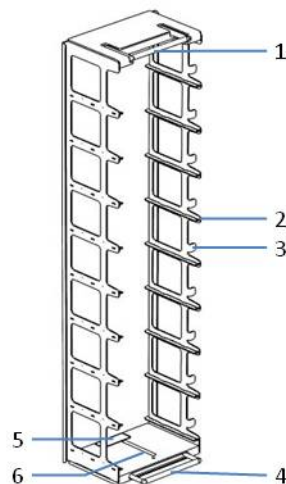


Figure 3: Shelf

No.	Description
1	Top handle
2	Guide rail
3	Level number
4	Bottom handle
5	Shelf ID label
6	Recess for shelf locking rail

3.3.3 Mover

The mover is the transport system of the Charger. For details on how the mover operates, see [Operating Principle](#) (► page 27).

The mover is equipped with a barcode reader to identify sample racks and well plates in the shelf as well as empty positions.

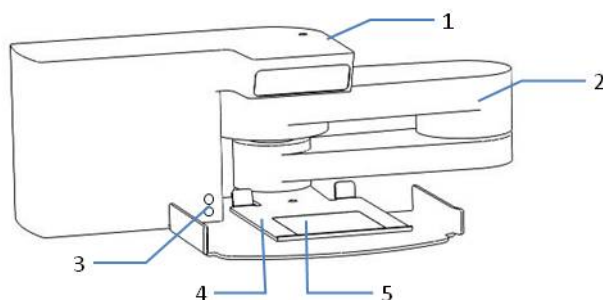


Figure 4: Mover arm

No.	Description
1	Barcode reader
2	Swivel arm
3	Sample rack/well plate detection sensor
4	Shovel
5	Shovel ID label

3.4 Device Connections

Device Connectors

The following connectors are provided on the rear upper corner of the left side panel for power line connection and for Universal Serial Bus (USB) connection:

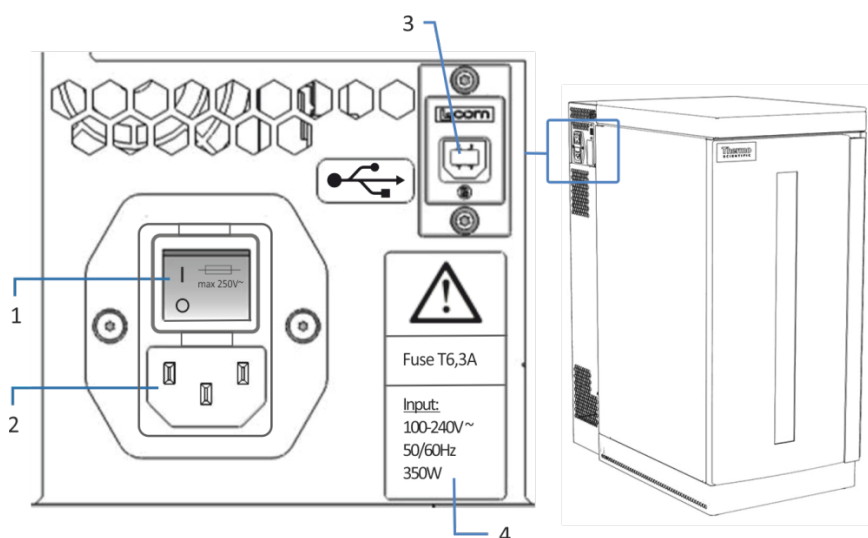


Figure 5: Side view showing device connectors

No.	Description
1	Main power switch (on/off control) with fuse holder
2	Power-inlet connector
3	USB port ("B" type connector) Allows connection to other modules in the Vanquish system or the computer on which the data system, such as the Chromeleon software, is installed.
4	Label indicating the fuse and line rating.

TIP Thermo Fisher Scientific recommends using the USB ports only as described above. If the USB ports are used for any other purpose, Thermo Fisher Scientific cannot ensure proper functionality.

3.5 Operation

The device is designed to be operated from a computer configured with the Chromeleon Chromatography Data System (CDS). The Chromeleon software provides complete instrument control, data acquisition, and data management.

For a basic description of instrument control and automated sample analysis with the Chromeleon software, refer to the *Vanquish System Operating Manual*. Details on control and operation of the device are available in the *Chromeleon Help*.

TIP The device can be operated also with other data systems, such as Thermo Scientific™ Xcalibur™. In this case, installation of additional software is required in addition to the data system software. For details, contact the Thermo Fisher Scientific sales organization.

To control the Charger, a Vanquish autosampler must be installed and configured in the Chromeleon software. All functions for controlling the Charger are part of the autosampler control interface.

4 Unpacking

This chapter provides information for unpacking the device and informs you about the scope of delivery.

4.1 Unpacking

Damaged Packaging, Defective on Arrival

Inspect the shipping container for signs of external damage and, after unpacking, inspect the device for any signs of mechanical damage that might have occurred during shipment.

If you suspect that the device may have been damaged during shipment, immediately notify the incoming carrier and Thermo Fisher Scientific about the damage. Shipping insurance will compensate for the damage only if reported immediately.

Unpacking the Device



CAUTION—Heavy Load, Bulky Device

The device is too heavy or bulky for one person alone to handle safely. To avoid personal injury or damage to the device, observe the following guidelines:

- Physical handling of the device, including lifting or moving, requires a team effort of two persons.
- To lift or move the device, grasp the device by the sides. Do not move or lift the device by the front door. This will damage the door or the device.

To unpack the device, follow these steps:

1. Place the shipping container on the floor. Remove the top cover.
2. Remove the accessories.
3. Remove the upper foam spacers from the device and remove the side walls of the shipping card box toward the top.
4. Remove the polyethylene packaging.
5. Slowly and carefully, lift the device out of the shipping container. Never lift the device only by the foam spacers or the front door.
6. Place the device on a stable surface.
7. Some surfaces including the door are covered by a protective film during shipment. Remove the protective film from all surfaces if applicable.

A Thermo Fisher Scientific service engineer must take over at this point for further steps and installation.

TIP Save the shipping container and all packing material. These items will be needed if the device is shipped or moved to a new location.

Moving the Device after Installation

If you have to move the device after it has been set up and installed in the Vanquish system, prepare the device for transport and move it to the new location. Follow the instructions in Transporting or Shipping the Device.

See also

 [Transporting or Shipping the Device](#) (▶ page 61)

4.2 Scope of Delivery

The following items are included in the delivery:

- Vanquish Charger
- Installation Kit including adapter frame for attaching the Charger to the Vanquish autosampler
- USB cable (with ferrite bead)
- Power cord
- Printed operating manual
- Printed installation manual

For reordering information, see [Accessories, Consumables and Replacement Parts](#) (▶ page 77).

5 Installation

This chapter specifies the requirements for the installation site.

5.1 Safety Guidelines for Installation

Pay attention to the following safety guidelines:



Installation by Service Engineer only

Service personnel certified by Thermo Fisher Scientific must perform the installation (for brevity, referred to as Thermo Fisher Scientific service engineer).



Observe all warning messages and precautionary statements presented in [Safety Precautions](#) (▶ [page 19](#)).



CAUTION—Heavy Load, Bulky Device

The device is too heavy or bulky for one person alone to handle safely. To avoid personal injury or damage to the device, observe the following guidelines:

- Physical handling of the device, including lifting or moving, requires a team effort of two persons.
- To lift or move the device, grasp the device by the sides. Do not move or lift the device by the front door. This will damage the door or the device.

5.2 Site Requirements

The operating environment is important to ensure optimal performance of the device.

This section provides important requirements for the installation site. Note the following:

- Operate the device only under appropriate laboratory conditions.
- The device is intended to be part of the Vanquish system. Observe the site requirements for the Vanquish system as stated in the *Vanquish System Operating Manual*.
- For specifications, see [Specifications](#) (▶ page 73) and the *Specifications* sections in the *Operating Manuals* for the other modules in the Vanquish system.
- For general residual hazards, see [General Residual Hazards](#) (▶ page 21).

5.2.1 Power Considerations

The power supply of the device has wide-ranging capability, accepting any line voltage in the range specified for the device.



CAUTION—Electric Shock or Damage to the Device

Connecting the device to a line voltage higher or lower than specified could result in personal injury or damage to the device.

Connect the device to the specified line voltage only.

5.2.2 Power Cord

The power cords are designed to match the wall socket requirements of the country in which they are used. The end of the power cords that plugs into the power socket on the device is identical for all power cords. The end of the power cords that plugs into the wall socket is different.



WARNING—Electric Shock or Damage to the Device

- Never use a power cord other than the power cords provided by Thermo Fisher Scientific for the device.
- Only use a power cord that is designed for the country in which you use the device.
- Do not use extension cords.
- Operate the device only from a power outlet that has a protective ground connection.
- In case of emergency, it must be possible to reach the power cord easily at any time to disconnect the device from the power line.



WARNING—Electric Shock or Damage to a Product

Misuse of the power cords could cause personal injury or damage the instrument. Use the power cords provided by Thermo Fisher Scientific only for the purpose for which they are intended. Do not use them for any other purpose, for example, for connecting other instruments.

5.2.3 Condensation

NOTICE—Condensation in the device can damage the electronics.

- When using, shipping, or storing the device, avoid or minimize conditions that can lead to a build-up of condensation in the device. For example, avoid significant or fast changes in environmental conditions.
- If you suspect that condensation is present, allow the device to warm up to room temperature. This may take several hours. Wait until the condensation is gone completely before connecting the device to the power line.

6 Operation

This chapter describes the elements for device control, provides information for routine operation and for shutdown.

6.1 Introduction to this Chapter

The information in this chapter assumes that the initial setup of the device has already been completed. If this is not the case, contact Thermo Fisher Scientific Technical Support for assistance.

For a basic description of instrument control and automated sample analysis with the Chromeleon software, refer to the *Vanquish System Operating Manual*. Details on control and operation of the device are available in the *Chromeleon Help*.

Software descriptions in this manual refer to Chromeleon 7. Terminology may be different to that of other software versions.

6.2 Safety Guidelines for Operation

When operating the device, pay attention to the following safety guidelines:



Observe all warning messages and precautionary statements presented in [Safety Precautions](#) (▶ page 19).



WARNING—Flammable and Hazardous Vapors from Spills

Flammable or hazardous vapors from sample spills can accumulate inside the device. This can pose health and safety risks.

- Ensure that well plates and sample racks are properly positioned inside the shelf.
- Ensure that the shelf is properly mounted on the shelf locking rail.
- Do not open the door and remove the shelf during the phases when parts inside the device are moving. During these phases, the **Mover Status** LED on the device is flashing green.
- Do not place liquid reservoirs or any other items on top of the Charger.
- If a spill occurs inside the device, turn the device power off. Clean up the spill and leave the door open. Allow sufficient time for the spill to dry and any vapors to disperse before putting the device back into use.



CAUTION—Moving Parts

Parts inside the device are moving when the device is operating and can cause minor injury.

Do not open the door during the phases when parts inside the device are moving. During these phases, the Mover Status LED on the device is flashing green.



CAUTION—High Luminosity of Barcode Reader

The high luminosity produced by the LED inside the barcode reader can cause serious eye injury.

Do not use light-focusing instruments for viewing the light output.

6.3 Control Elements

The device is designed to be operated from a computer running with the chromatography data system.

In addition, status indicator LEDs on the front panel provide a quick visual check of the operational status of the device.

6.3.1 Status Indicators

The status indicator LEDs at the front side of the device provide information about the device status.

LED	Status	Description
Power LED	Off Green	Indicates the overall power status of the device. The LED is green when device power is on and unlit when power is off.
Mover Status LED	Off Green flashing Green Red	Indicates the status of the mover: The LED is unlit when the mover motor power is off. <i>Green flashing:</i> the mover is performing a command from the software, a start-up routine, or an inventory scan and is therefore not ready <i>Green:</i> mover motor power is on and the mover is ready to move; it is safe to open the door during this time <i>Red:</i> the mover is in error state
Connect/Equil LED	Off Yellow Green flashing Green	Indicates the connect status and equilibration status of the device. The LED is unlit when the device is not connected to the software. <i>Yellow:</i> the device is connected to the software, temperature control is turned off <i>Green flashing:</i> the device is connected to the software and equilibrating (target temperature has not been reached) <i>Green:</i> the device is connected to the software, and the target temperature has been reached.

6.3.2 Power Switch

The power switch on the left side of the device is the main switch for on/off control. Turn the power off when instructed to do so in this manual; for example, before performing a maintenance procedure. The device *cannot* be turned on or off with the power button on the Vanquish system base.

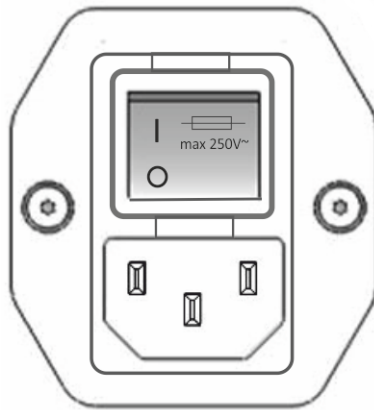


Figure 6: Power switch on left side

TIP The Charger door is equipped with a mechanism that opens the door automatically when the device is turned off. The door cannot be closed while power is off.

6.4 Preparing the Device for Operation

This section gives information on any additional steps that are required to prepare the device for operation and sample analysis.

Before Starting Sample Analysis

- Set the target temperature in the Chromeleon software and wait until the temperature has been reached (see [Temperature Control in the Charger Compartment](#) (▶ page 46)).
- Load the sample racks or well plates (see [Loading Sample Racks or Well Plates](#) (▶ page 47)).
- Verify that the Charger door is closed.
- Select a rack type in the Chromeleon software, if applicable (see [Selecting the Rack Type](#) (▶ page 50)).
- Make sure that the chromatography system is properly equilibrated. For more information, refer to the *Vanquish System Operating Manual*.

6.4.1 Temperature Control in the Charger Compartment

Define the following parameters in the Chromeleon software if you want to use temperature control inside the Charger compartment to maintain the samples as required. The same setting is used to control the Charger compartment temperature and autosampler compartment temperature.

- **SamplerModule.Temperature.Nominal** sets the target temperature for the Charger compartment and autosampler compartment. Setting a target temperature automatically turns on temperature control (**SamplerModule.TempCtrl = On**).
- **SamplerModule.Charger.ReadyTempDelta** sets the maximum allowed deviation between the target temperature and the actual temperature inside the Charger. If the temperature deviates from the target temperature by more than the maximum allowed deviation, the Charger is not ready to operate. You can deactivate this feature by setting the allowed deviation to **None**.

Keep the door closed until the target temperature has been reached.

Note that in case of excessive ambient conditions (while cooling and at set temperatures below ambient), condensation might appear temporarily on the outside of the Charger door.

6.4.2 Loading Sample Racks or Well Plates



WARNING—Flammable and Hazardous Vapors

Flammable or hazardous vapors can escape from improperly sealed sample containers with flammable or volatile samples, and can accumulate inside the device. This can pose health and safety risks and lead to wrong results.

- Use only vials or well plates that are made gas-tight by means of caps, sealing mats, or sealing tapes. Refer to the latest list of closures approved by Thermo Fisher Scientific.
- Inspect vials for cracks or defects before use. Do not use cracked or damaged vials.

Opening the Front Door

When operating the Charger, you will need to open the front door, for example, to place or remove the shelf or load or unload sample racks and well plates. Note the following:

- Before you open the door, check the **Mover Status** LED on the front panel. Avoid opening the door when the **Mover Status** LED is flashing green. This indicates that the mover is currently executing an operation.
- When you open the door while the mover is executing an operation, the mover will finish the current movement and will then stop.
- It is not possible to issue any commands from Chromeleon while the door is open. Also, an open door may delay the processing of a Queue.

To open the front door, slightly pull on the door.

If you must move the mover manually after you have opened the door, gently push the mover into a safe position. Do not use any great force when moving the mover by hand.

Placing the Shelf inside the Compartment

TIP You can either place the shelf inside the Charger first, and then load the sample racks or well plates, or you can first load the sample racks or well plates in the shelf, and then place the shelf inside the Charger.

1. Hold the shelf by the top and bottom handles and slide it on the shelf locking rail on the base plate. A recess for the shelf locking rail is provided on the bottom side of the shelf.

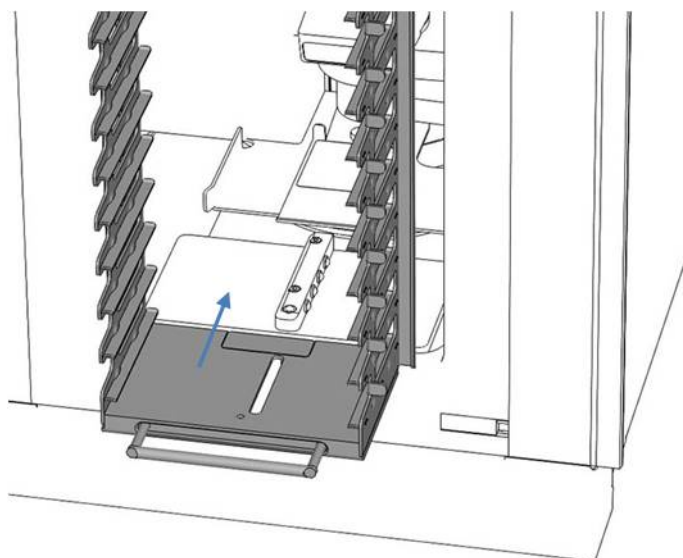


Figure 7: Placing the shelf

2. Verify that the shelf has properly clicked into place on the shelf locking rail.

The Charger will automatically detect the shelf type after the door has been closed, and the Chromeleon software displays the number of available levels.

Placing Sample Racks or Well Plates in the Shelf

A barcode reader allows rack type identification of sample racks and well plates with a Vanquish rack type barcode.

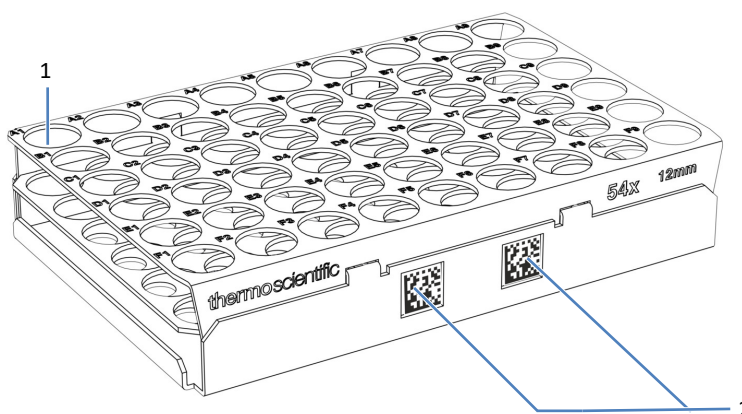


Figure 8: Sample rack with barcodes for rack type identification

No.	Description
1	Sample position A1
2	Vanquish rack type barcode

**CAUTION—Positioning of Sample Racks or Well Plates without Barcode**

Sample racks and well plates without a Vanquish rack type barcode may easily be placed the wrong way around, but the Chromeleon software cannot detect the incorrect orientation. This may result in a safety hazard.

- Preferably, use sample racks and well plates with a Vanquish rack type barcode, as this allows the software to check the correct orientation. Refer to the current list of sample racks and well plates approved by Thermo Fisher Scientific.
- When you place sample racks and well plates without such barcodes, double-check the correct positioning as described in this section.

The shelf is equipped with several guide rails (levels) to accommodate the sample racks and well plates. Each level is labeled with a number. This level number is used for defining the sample positions in the Chromeleon software.

1. If you use sample racks, place the vials in the sample rack.
2. Place each sample rack or well plate on a free shelf level so that position A1 is at the front right-hand corner as shown in the figure.

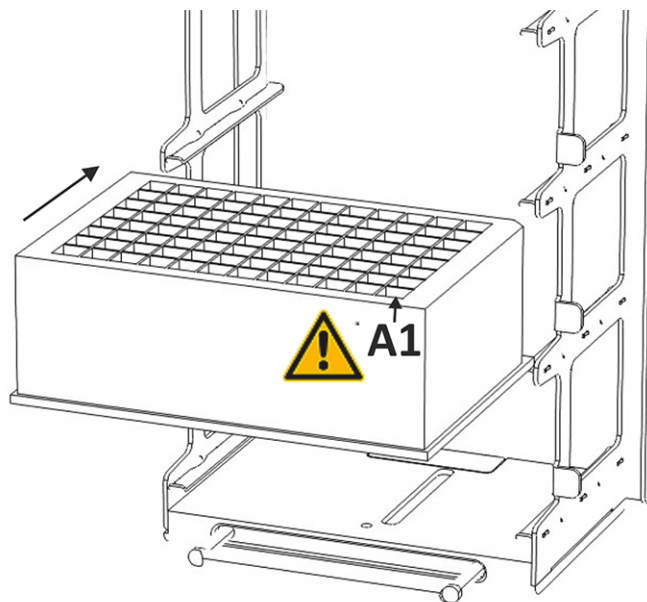


Figure 9: Placing the sample racks or well plates

3. Verify that well plates and sample racks are properly positioned on the guide rails of the shelf. The edge of the sample rack or well plate must not extend beyond the stops at the front and rear of the guide rail.

TIP Check the Chromeleon ePanel for the Charger for sample rack and well plate information. This may be helpful, for example, to find out which shelf levels are free to place a new sample rack or well plate.

Closing the Front Door

After you have closed the door, the Charger will perform a startup routine and inventory scan. The mover moves down to the bottom of the shelf and flashes its barcode reader. Once the inventory scan has completed, the **Mover Status** LED on the front panel turns from flashing green to green.

Notes on Loading the Carousel of the Autosampler

NOTICE

By default, the Charger delivers sample racks and well plates to segment Y. Depending on the Chromeleon version, it may be possible to change the number of segments that are reserved for the Charger in the Vanquish Autosampler Configuration. Observe the following to avoid operating problems and damages:

- Make sure you are aware which segments of the autosampler carousel are reserved for the Charger.
- Always leave the reserved segments empty.
- Do not manually remove any sample racks or well plates from the reserved segments during normal operation.

6.4.3 Selecting the Rack Type

The device automatically detects the container type for sample racks and well plates with a barcode for Vanquish rack type identification. You do not have to select a rack type. However, you must select a rack type for sample racks and well plates without such a barcode.

For details how to select the rack type, refer to the *Chromeleon Help*.

6.5 Important Settings for Operation

The parameters described in this section should be considered for routine operation of the device. You can access these parameters from the Chromeleon user interface.

For more information, refer to *Chromeleon Help and documents*.

Setting	Description
Temperature Control On/Off	(SamplerModule) Activate and deactivate temperature control inside the autosampler and Charger compartments.
Nominal Temperature	(SamplerModule) The target temperature for the autosampler and Charger compartments. Setting a nominal temperature automatically turns on temperature control.
Ready Temperature Delta	(Charger) The maximum allowed deviation between the nominal temperature and the actual temperature. If the temperature deviates from the nominal temperature by more than the maximum allowed deviation, the device is not ready to operate. If set to None , the device does not check whether the nominal temperature deviates from the actual temperature.
Reset Temperature History	(Charger) Resets the temperature history. The temperature history logs minimum and maximum temperatures of the Charger compartment since the last reset.
Rack Type CHXX	(SamplerModule) Indicates the type of the sample rack or well plate that is located at level # 1 (RackType_CH01) to level # 20 (RackType_CH20), as recognized during rack identification. If the indicated rack type is Unknown , select the correct rack type from the list. If no sample rack or well plate is installed in the respective level, the rack type is displayed as Empty .
Sample Position	(Sampler) The sample position identifies the position from which the autosampler needle draws the sample. It consists of the Charger level number and the position on the sample rack or well plate (for example, CH01:E8).
Light Mode	(Charger) Determines the behavior of the compartment light. In automatic mode, the light is dimmed when the door is closed, and on when the door is open. You can select whether to always have the light dimmed, on, or off.
Reset	(SamplerModule) Resets the internal Charger and autosampler control information. This may be required, for example, if a rack had to be removed manually from a reserved segment.

6.6 Shutting Down the Device

If the device will not be operated for a short or longer period of time, follow the instructions on shutting down the device in the following section.

Shut down the Charger if the autosampler is shut down, too. If the autosampler is operating, leave the Charger turned on.

TIP In order to continue operating the autosampler when the Charger is turned off, you must deactivate the Charger on the **General** page for the autosampler in the Chromeleon Instrument Configuration Manager.

Shutting Down the Device

To shut down the device, follow the instructions below.

1. Remove the shelf and any samples from the compartment.
2. Turn off the Charger.
3. *(If you plan to interrupt operation for a longer period)* Disconnect the power cord.
4. Clean the inside of the compartment if necessary (see [Cleaning or Decontaminating the Device](#) (▶ page 56)).
5. Leave the door open.
6. If you want to move the device to a new location or if you need to ship the device, follow the instructions in [Transporting or Shipping the Device](#) (▶ page 61).

TIP The Charger door is equipped with a mechanism that opens the door automatically when the device is turned off. The door cannot be closed while power is off.

Restarting the Device

To restart the device, follow these steps:

1. Reconnect the power cord if necessary and turn on the device.
2. Prepare the device for operation (see [Preparing the Device for Operation](#) (▶ page 46)).

7 Maintenance

This chapter describes the routine maintenance procedures that the user may perform.

7.1 Introduction to Maintenance

This chapter describes the routine maintenance procedures that the user may perform.



Additional maintenance or service procedures must be performed only by service personnel certified by Thermo Fisher Scientific (for brevity, referred to as Thermo Fisher Scientific service personnel).

7.2 Safety Guidelines for Maintenance

When performing maintenance procedures, pay attention to the following safety guidelines:



Observe all warning messages and precautionary statements presented in [Safety Precautions](#) (▶ page 19).



WARNING—High Voltage

High voltages are present inside the device that could cause an electric shock.

Do not open the housing or remove protective panels unless specifically instructed to do so in this manual.



CAUTION—Electric Shock or Damage to the Device

After the power to the device is turned off, the device is still energized as long as the power cord is connected. Repair work on the device while the device is connected to power could lead to personal injury.

- Always unplug the power cord before starting repair work inside the device.
- If you were instructed to remove any housing covers or panels, do not connect the power cord to the device while the cover or panels are removed.

7.3 Routine and Preventive Maintenance

Optimum device performance, maximum uptime of the device, and accurate results can be obtained only if the device is in good condition and properly maintained.

7.3.1 Maintenance Plan

Perform the maintenance procedures in the table on a regular basis. The frequency given in the table is a suggestion. The optimum frequency for maintenance depends on several factors, such as the types and amounts of samples and solvents used with the device.

Frequency	What you should do...
Daily	Inspect vials and well plates inside the device for cracks or defects. Clean up spills if necessary.
Regularly	<ul style="list-style-type: none"> • Clean the device (see Cleaning or Decontaminating the Device (► page 56)). • Check that all warning labels are still present on the device and clearly legible. If they are not, contact Thermo Fisher Scientific for replacement. • Check that the labels on the shovel and shelves are still present and clearly legible. If they are not, contact Thermo Fisher Scientific for replacement.
Annually	Have Thermo Fisher Scientific service personnel perform preventive maintenance once a year.

7.3.2 Cleaning or Decontaminating the Device

Cleaning and decontamination must be performed by qualified personnel wearing suitable personal protective equipment. Always observe national and local regulations.

NOTICE

Wipe up all liquids spilled onto the system immediately. If surfaces are exposed for longer periods, these liquids can cause damage.

Decontamination

Decontamination is required, for example, when leakage or spillage has occurred, or before service or transport of the device. Use a suitable cleaning detergent or disinfectant to ensure that the treatment renders the device safe to handle.

Parts required

- Suitable cleaning detergent (or disinfectant)
- Purified water
- Lint-free cloths or wipes

**CAUTION—Explosive Gas Mixtures from Alcoholic Cleaning Detergents**

Alcohol-containing cleaning detergents may form flammable and explosive gas mixtures with air.

- Use such cleaning detergents only when required and only in adequately ventilated rooms.
- Avoid open flames or exposure to excessive heat during the cleaning process.
- Wipe the cleaned components thoroughly dry after cleaning. Do not operate the device before it is completely dry.

NOTICE

Observe the following:

- Only use cleaning detergents that will not damage the surfaces of the system.
- Never use sharp tools or brushes for cleaning any surfaces.
- Do not use sprays for cleaning.
- Prevent cleaning detergent from entering the flow path.
- Do not use excessively wetted cloth or wipes for cleaning. Prevent any liquids from entering the functional components of the device. Liquids can cause a short circuit when getting in contact with the electronic components.

NOTICE

Some device components are made of plastic. Solvents may dissolve plastics. Powerful acids or lyes may cause embrittlement of the plastics.

For cleaning the plastic components and surfaces, do not use hydrocarbon-containing solvents, cleaning agents with an alcohol content of more than 10 %, or powerful acids and lyes.

Preparations

1. Turn off the power to the device and disconnect the power cord from the power source.
2. Remove the shelf and any samples from the compartment.

Follow these steps

1. Wipe the surfaces clean with a clean, dry, soft, lint-free cloth or wipe. If necessary, slightly dampen the cloth or wipe with a solution of lukewarm water and a suitable cleaning detergent.
2. Allow the cleaning detergent to react as recommended by the manufacturer.
3. Wipe the cleaned surfaces with purified water to ensure that all cleaning detergent residues have been removed.
4. Wipe the surfaces dry using a soft, lint-free cloth or wipe.

7.4 Updating the Device Firmware

The description in this section refers to the Chromeleon 7 Chromatography Data System.

When

Updating the device firmware might be required, for example, when a new firmware version is released that adds functionality or solves problems of a previous version.

Items required

Firmware version/Chromeleon version as appropriate

TIP When a new firmware version is released, the new version will be included in the next available Chromeleon version. The new firmware will *not* be transferred automatically to the device when you install the Chromeleon version.

Preparations

1. Read the release notes provided with the firmware and/or Chromeleon version.
2. Verify that the **Charger** check box on the **General** page of the Vanquish Autosampler configuration is selected.
3. Connect the autosampler in the Chromeleon software.
4. Stop all operations on the Instrument that includes the device.
5. Wait until the Instrument is idle.
6. Verify that the mover is idle (**Charger Status = Idle**, the **Mover Status** LED is *not* flashing green).

Follow these steps

1. Perform a firmware update from the **General** tab page in the configuration dialog box for the device. For details, refer to the *Chromeleon Help*.
The firmware update may take several minutes.

NOTICE

A firmware downgrade or incomplete firmware update may result in loss of functionality or malfunctioning of the device.

- Do not interrupt communication between the Chromeleon software and the device at any time during the procedure.
- At the beginning of the update process, a message appears showing the firmware version currently installed in the device and the version that will be transferred from the Chromeleon software. If the firmware installed in the device is a later version than the version in the Chromeleon software, cancel the download.

2. Monitor the Audit Trail of the Instrument Configuration Manager to see whether the firmware update was successful or failed. The firmware update for the Charger usually takes longer than a firmware update for the other Vanquish modules.

3. Depends on the situation:

Situation	Action
Firmware update successful	Requalification of the device may be required. Refer to the release notes.
Firmware update failed	Turn the device off and on again. Repeat the firmware update.
Firmware update fails repeatedly	Contact Thermo Fisher Scientific Technical Support.

Testing

1. Turn the device off, wait for 5 seconds and turn it on again.
2. Run a short sequence from the Chromeleon software to see if the mover can access the shelf and the Vanquish autosampler as expected.

If the device does not operate as expected, contact Thermo Fisher Scientific Technical Support for assistance.

7.5 Transporting or Shipping the Device

If you want to transport the device to a new location or if you need to ship the device, first prepare the device for transport, and then move or ship the device as required. Follow the instructions in this section.

Observe the following safety guidelines:



WARNING—Installation by Service Engineer only

- Service personnel certified by Thermo Fisher Scientific must perform the installation (for brevity, referred to as Thermo Fisher Scientific service engineer).
- If it is required to reattach the Charger to the Vanquish autosampler after transport, contact Thermo Fisher Scientific Technical Support for assistance.



Observe all warning messages and precautionary statements presented in [Safety Precautions](#) (▶ page 19).



CAUTION—Heavy Load, Bulky Device

The device is too heavy or bulky for one person alone to handle safely. To avoid personal injury or damage to the device, observe the following guidelines:

- Physical handling of the device, including lifting or moving, requires a team effort of two persons.
- To lift or move the device, grasp the device by the sides. Do not move or lift the device by the front door. This will damage the door or the device.

Follow these steps

1. Prepare the device for transport. See the [Preparing the Device for Transport](#) (▶ page 62).
2. The step depends as follows:
 - ◆ To transport the device to a new location, follow the instructions in [Transporting the Device to a New Location](#) (▶ page 65).
 - ◆ To ship the device, follow the instructions in [Shipping the Device](#) (▶ page 65).

7.5.1 Preparing the Device for Transport

To prepare the device for transport, follow these steps:

1. Shut down the device as described in [Shutting Down the Device](#) (▶ [page 52](#)). In particular, verify that the shelf and any samples were removed from the compartment before you continue.
2. Disconnect the power cord.
3. Disconnect the USB cable.
4. Open the front door so that you can access the transfer opening to the autosampler on the right-hand side. Remove the four screws next to the transfer opening that fix the Charger to the autosampler.

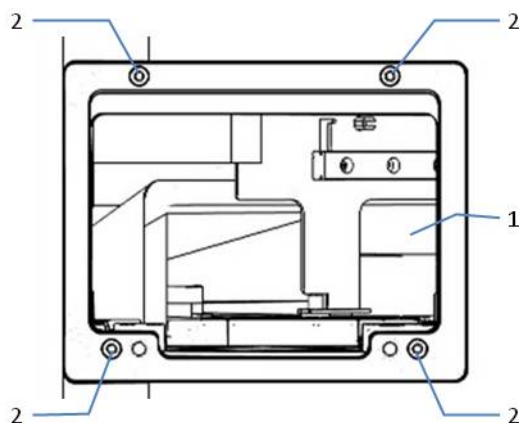


Figure 10: Screws attaching the Charger to the autosampler

No.	Description
1	Transfer opening
2	Screws fixing the Charger to the autosampler

5. Remove the LED cover plate. The LED cover plate is magnetic and can easily be removed and attached without using any tools. The upper foam part provides a recess for shipping the LED cover plate.

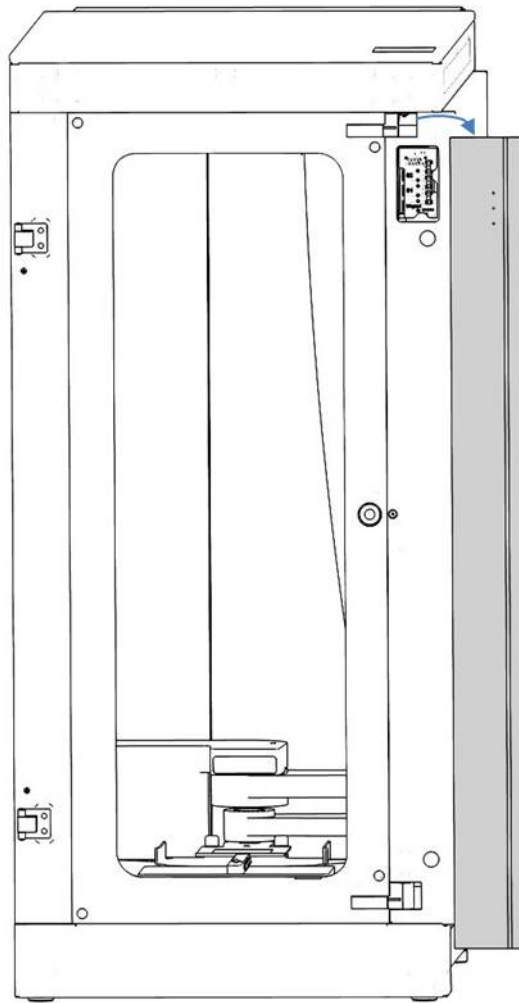


Figure 11: Removing the LED Cover Plate

6. Follow the steps below to protect the mover during shipment using the original shipping lock screws and foam parts that were removed during initial installation:
 - a) Place foam part 1 below the mover arm and lower the mover arm to the lowest position, such that the shovel and mover arm rest in the cavities of the foam part.

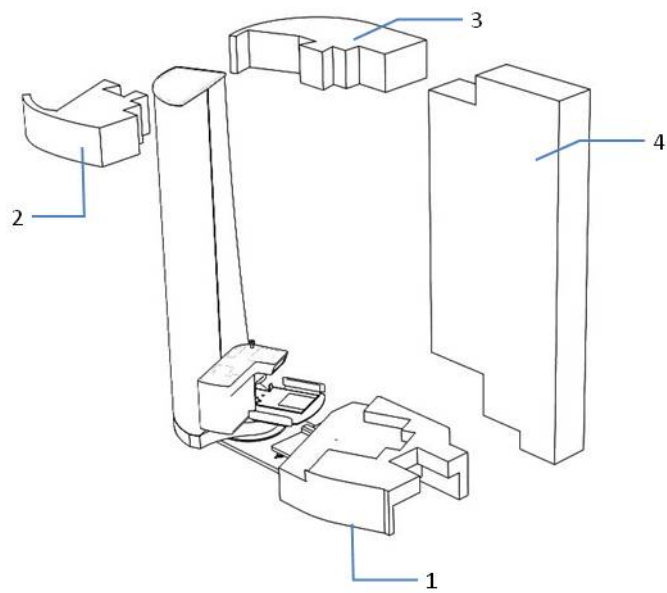


Figure 12: Installing the foam parts

- b) Mount the two shipping lock screws that secure the mover during transport.

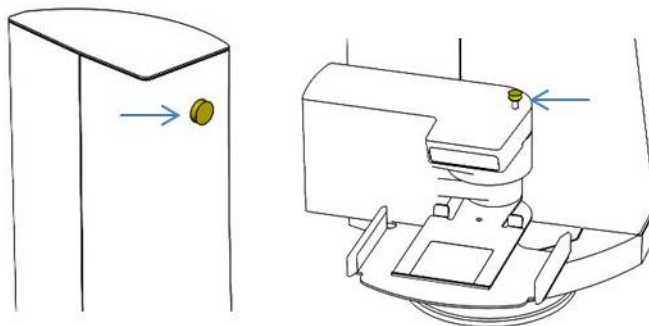


Figure 13: Shipping lock screws securing the mover

- c) Install foam parts 2, 3, and 4.
7. Remove the Charger from the Vanquish system.
 8. In order to continue operating the autosampler without the Charger, mount the metal cover plate to the opening on the autosampler enclosure.

NOTICE

Always fix the shipping lock screws before moving or shipping. Transporting the Charger or mover without fixing the shipping lock screws will damage the mover.

7.5.2 Transporting the Device to a New Location

The Charger must be transported in upright position under the following conditions:

- The shelf and all sample racks or well plates have been removed from the compartment.
- The mover shovel has been lowered to the lowest position, and the mover is secured with the shipping lock screws and foam parts.
- The front door is secured for transport.

7.5.3 Shipping the Device

Preparations

Prepare the device for transport. See [Preparing the Device for Transport](#) (▶ page 62).



CAUTION—Possible Contamination

Hazardous substances may have contaminated the device during operation and may cause personal injury to service personnel.

- Decontaminate all parts of the device that you want to return for repair.
- Fill in and sign the Health and Safety Form. Thermo Fisher Scientific refuses to accept devices for repair if the Health and Safety Form is missing, incompletely filled in, or unsigned.

Follow these steps

1. Follow the unpacking instructions in this manual in the reverse order.
Use only the original packing material and shipping container. If the original shipping container is not available, appropriate containers and packing material can be ordered from the Thermo Fisher Scientific sales organization.
2. If you need to return the device to Thermo Fisher Scientific for depot repair, contact your local Thermo Fisher Scientific support organization for the appropriate procedure.

8 Troubleshooting

This chapter is a guide to troubleshooting issues that may arise during operation of the device.

8.1 General Information about Troubleshooting

The following features help you to identify and eliminate the source for problems that may arise during operation of the device.

TIP For information about operating issues that might occur during the operation of a Vanquish system, refer to the *Vanquish System Operating Manual*.

If you are unable to resolve a problem following the instructions given here or if you experience problems that are not covered in this section, contact Thermo Fisher Scientific Technical Support for assistance. See the contact information at the beginning of this manual.

To facilitate device identification, have the serial number and technical name available when communicating with Thermo Fisher Scientific.

Status Indicators

The status indicator LEDs on the front side of the device provide quick visual feedback on the operational status of the device.

If the firmware detects a problem, the **Mover Status** LED on the front side is red and the problem is reported to the Chromeleon software. The related message is displayed in the Instrument Audit Trail.

The **Connect/Equil** LED on the front side is unlit when the device is not connected. If the LED is unlit during operation, this may indicate a problem with the connection to the computer. In this case, check the USB cable and connection to the computer.

Instrument Audit Trail

The Chromeleon software logs information about all events related to instrument operation for the current day in an Instrument Audit Trail. The Audit Trail is named with the current date, using the format `yyyymmdd`. For example, the Audit Trail for May 15, 2019, is named `20190515`.

The Instrument Audit Trails can be found on the ePanel Set (Audit ePanel). In addition, Audit Trails for each instrument are available in the Chromeleon 7 Console Data view, in the folder of the instrument.

Messages in the Instrument Audit Trail are preceded by an icon. The icon identifies the seriousness of the problem. For possible causes and remedial actions, see [Messages](#) (▶ page 70).

Power Failure

After a power failure, the device door is opened automatically. Remove the shelf and look inside the device compartment. If there is a sample rack or well plate on the shovel, place it back on the shelf or remove it. Execute a **Reset** command in the Chromeleon software (SamplerModule) before you restart the Queue.

8.2 Messages

The table lists the most frequently observed messages for the device and provides troubleshooting assistance. If you are unable to resolve the problem following the instructions, contact Technical Support for assistance.

TIP If a message appears in the Audit Trail that is not listed in the table, write down the code and wording of the message. If you are unable to resolve the problem, contact Thermo Fisher Scientific Technical Support for assistance.

TIP You may have to move the mover manually after you have opened the door to remedy a situation. Do not use any great force when moving the mover by hand.

TIP After a collision or movement issue, for example, if a rack had to be removed manually from a reserved segment, execute a **Reset** command in the Chromeleon software (SamplerModule) before you restart the Queue.

Message	Description and Remedial Action
A collision occurred during movement.	<p>The mover hit something or got caught on something during movement. This can happen if a sample rack or well plate is incorrectly placed on the shelf or autosampler segment, or if something has fallen into the Charger.</p> <p>Open the Charger door and remove the shelf to identify the cause. Check that all sample racks and well plates are placed correctly in the shelf (see Loading Sample Racks or Well Plates (▶ page 47)). If a sample rack or well plate or other object has fallen into the compartment, remove it. Check the compartment for spills and clean it if necessary. Check if anything is potentially blocking the reserved segments in the autosampler. Execute a Reset command in the Chromeleon software (SamplerModule) before you restart the Queue.</p> <p>If there is no obvious reason, it may be necessary to re-teach the Charger. In this case, contact Thermo Fisher Scientific Technical Support.</p>
<p>An error occurred while trying to load a rack from a shelf position. or</p> <p>An error occurred while trying to load a rack from the sampler's carousel. or</p> <p>An error occurred while trying to place a rack in a shelf position. or</p> <p>An error occurred while trying to move a rack onto the sampler's carousel.</p>	<p>Check to see if anything is potentially blocking the Charger or autosampler. If there is a sample rack or well plate on the shovel, remove it manually before closing the door.</p>

Message	Description and Remedial Action
<p>ATTENTION: A rack was added to shelf position CH{0:d2}, which is already in use: The corresponding rack is currently in the sampler unit for injection. Remove the new rack immediately from CH{0:d2}.</p>	<p>This message occurs when you place a new sample rack or well plate in the Charger while a sequence is running. Remove the sample rack or well plate immediately from the device. Otherwise, the sequence will be aborted as soon as the sample rack or well plate in the autosampler is moved back to the shelf.</p>
<p>Cannot get rack. There is already a rack on the shovel.</p>	<p>The device received a command to pick a sample rack or well plate up, but already has a sample rack or well plate on its shovel. Open the Charger door and remove the shelf to identify the cause. If there is a sample rack or well plate on the shovel, place it back on the shelf or remove it. Execute a Reset command in the Chromeleon software (SamplerModule) before you restart the Queue.</p>
<p>Cannot place rack. No rack on the shovel.</p>	<p>The device is trying to put a sample rack or well plate down and cannot detect the sample rack or well plate on the shovel. Open the door and remove the shelf to identify the cause. If a sample rack or well plate got caught while the device tried to pick it up, place the sample rack or well plate back on the shelf. Execute a Reset command in the Chromeleon software (SamplerModule) before you restart the Queue.</p>
<p>Cannot read current rack list because the door is open. Rack list will be updated as soon as the door has been closed and the inventory scan has finished successfully.</p>	<p>Verify that the door is closed properly.</p>
<p>Cannot return rack to Charger shelf because the return position is blocked by another rack. Cannot proceed with sequence.</p>	<p>This message occurs when you place a new sample rack or well plate in the Charger in the position of the sample rack or well plate that is currently in the autosampler while a sequence is running. The sequence had to be aborted because the current rack cannot be returned to the shelf. Remove the sample rack or well plate that is blocking its position from the device before you restart the Queue.</p>
<p>Charger communication error.</p>	<p>Check the USB connection from the device to the computer. If the device uses a USB hub on another system module, check that the module that provides the hub is turned on. Check that USB cables are in good condition and are not bundled parallel with power cords. Disconnect and reconnect the device in the Chromeleon software and execute the ClearError command (Charger). If the error persists, turn the device off, wait for 5 seconds and turn it on again. Reboot the Chromeleon Instrument Controller PC.</p>
<p>Current list of racks cannot be read. The device reports that a rack is still placed on the shovel. Remove that rack first before trying a new inventory scan.</p>	<p>Open the door and remove the shelf to find out about the cause. If there is a sample rack or well plate on the shovel, place it back in the shelf or remove it. Close the door and wait for the inventory scan to finish.</p>
<p>Current list of racks cannot be read. Try another inventory scan by opening and closing the door. Check if the racks are placed properly and that no rack is placed on the shovel.</p>	<p>An error occurred during the inventory scan. Open the door and check the racks. Close the door and wait for the inventory scan to finish.</p>

Message	Description and Remedial Action
Error: The rack/plate on shelf position CHXX is placed the wrong way around and cannot be used for injection. Please place rack/plate with position A1 in the right front corner.	Place each sample rack or well plate so that position A1 is at the front right-hand corner, see also Loading Sample Racks or Well Plates (▶ page 47).
Inventory scan has failed. Please check if the racks are placed properly.	Open the door and check the sample racks or well plates. Close the door and wait for the inventory scan to finish.
The carousel is still locked for safety reasons due to a preceding error of the charger mover unit. Please check the mover unit first and clear possible obstructions. Then unlock the carousel with the 'Reset' command.	Check to see if anything is blocking the mover. Then execute a Reset command in the Chromeleon software (SamplerModule device) before you restart the Queue.
The inventory scan could not be finished because the door is open.	Close the door.
The temperature unit reports an error state. Try to clear the error with 'ClearError'. Call the service if the error reoccurs regularly or the 'ClearError' command fails.	An error occurred in the thermal control system. Follow these steps: <ol style="list-style-type: none"> 1. Execute the ClearError command (Charger) in the Chromeleon software. 2. Under SamplerModule, set TempCtrl to Off to briefly disable thermal control, and then set TempCtrl to On again to re-enable temperature control. 3. If the error persists, disconnect the sampler module in the Chromeleon software. 4. Turn off the Charger. Wait for 5 seconds and turn it on again. 5. Connect the sampler module in the Chromeleon software. If the error still persists, contact Thermo Fisher Scientific Technical Support.
Unexpected module behavior. Code 6XXX	The device has encountered an unexpected error. Note code number and turn the device off, wait for 5 seconds and turn it on again. If the error persists, contact Thermo Fisher Scientific Technical Support.

9 Specifications

This chapter provides the physical and performance specifications of the device.

9.1 Performance Specifications

The device performance is specified as follows:

Type	Specification
Temperature range	4-40 °C (settable), cooling target ≤ 22 K below ambient
Temperature accuracy	-2 °C / +4 °C
Spatial temperature deviation	±2 °C
Plate capacity	9 deep well plates, maximum height 45 mm or 9 sample racks, maximum height 45 mm including vials or 20 well plates, maximum height 20 mm
Sample capacity	Up to 7,680 samples in twenty 384 well plates
Cycle time for handling system	< 1 min (shuttling a sample rack or well plate from or to autosampler)
PC connection	USB 2.0 interface
Control	Chromeleon 7 The device can be operated also with other data systems. For details, contact the Thermo Fisher Scientific sales organization.
Safety features	Sample rack/well plate detection sensor on shovel, Barcode reader to detect rack type and shelf ID Automatic stop when door is opened (interlock door switch) Automatic opening of door after power failure 3 LEDs for status monitoring
Good Laboratory Practice (GLP) features	All system parameters are logged in the Chromeleon Audit Trail.

9.2 Physical Specifications

The physical conditions of the device are specified as follows:

Type	Specification
Range of use	Indoor use only
Ambient temperature	Operation: 5 °C to 35 °C Storage: 1 °C to 60 °C Transport: -20 °C to 60 °C
Ambient humidity	Operation: 20% to 80% relative humidity, non-condensing Storage: 5% to 80% relative humidity, non-condensing Transport: 20% to 80% relative humidity, non-condensing
Altitude	Up to 2000 m
Mains supply voltage fluctuations	Up to $\pm 10\%$ of the nominal voltage
Pollution degree	2
Power requirements	Wide range, 100 - 240 V AC, 50/60 Hz ~ 350 W
Overvoltage category	II
Emission sound pressure level	≤ 60 dB(A) in 1 m distance
Dimensions (height x width x depth)	750 mm x 339 mm x 620 mm
Weight	Approx. 35 kg

10 Accessories, Consumables and Replacement Parts

This chapter provides information for reordering accessories, consumables, and replacement parts.

10.1 General Information

The device must be operated only with the replacement parts and additional components, options, and peripherals specifically authorized and qualified by Thermo Fisher Scientific.

Accessories, consumables, and replacement parts are always maintained at the latest technical standard. Therefore, part numbers are subject to change. If not otherwise stated, updated parts will be compatible with the parts they replace.

10.2 Ordering Information

For ordering information of sample racks and well plates for the device, refer to the information that is included in the Vanquish autosampler ship kit.

Shelves

Description	Part No.
Shelf for 9 deep well plates and/or sample racks pitch 57.5 mm, max. height of deep well plates: 45 mm	6900.1020
Shelf for 20 well plates pitch 25.5 mm, max. height of well plates: 20 mm	6900.1010

Power cords

Description	Part No.
Power cord, Australia	6000.1060
Power cord, China	6000.1080
Power cord, Denmark	6000.1070
Power cord, EU	6000.1000
Power cord, India, SA	6000.1090
Power cord, Italy	6000.1040
Power cord, Japan	6000.1050
Power cord, UK	6000.1020
Power cord, USA	6000.1001
Power cord, Switzerland	6000.1030

Other Parts

Description	Part No.
USB cable (with ferrite bead)	6900.1021

11 Compliance Information

This chapter provides additional compliance information.

11.1 Declarations of Conformity

CE Declaration of Conformity

The device has satisfied the requirements for the CE mark and is compliant with the applicable requirements.

UL/CSA 61010-1 Compliance

The label of the NRTL Lab on the device (for example, cTUVus or CSA mark) indicates that the device has satisfied the requirements of the applicable standards.

11.2 WEEE Compliance

This product is required to comply with the European Union's Waste Electrical & Electronic Equipment (WEEE) Directive. It is marked with the following symbol:



Figure 14: WEEE symbol

Thermo Fisher Scientific has contracted with one or more recycling or disposal companies in each European Union (EU) Member State, and these companies should dispose of or recycle this product. For further information, contact Thermo Fisher Scientific.

11.3 FCC Compliance

This equipment has been tested and found to comply with the limits for a Class A digital device, pursuant to part 15 of the U.S. FCC Rules.

These limits are designed to provide reasonable protection against harmful interference when the equipment is operated in a commercial environment. This equipment generates, uses, and can radiate radio frequency energy and, if not installed and used in accordance with the instructions, may cause harmful interference to radio communications. Operation of this equipment in a residential area is likely to cause harmful interference, in which case the user will be required to correct the interference at his expense.

11.4 Manual Release History

Revision	Covering
2.0	VH-A90-A
1.0a	VH-A90-A
1.0	VH-A90-A

The instructions were prepared in English (original instructions). Other language versions are translations based on the English original instructions.

Index

A		G	
accessories	77	gloves	20
audit trail	68	guidelines	
Audit Trail messages	70	installation	38
B		operation	43
barcode	48	I	
barcode reader	30	installation	
C		safety guidelines	38
CE mark	82	site requirements	39
Chromeleon	32	Instrument Audit Trail	68
important settings	51	intended use	18
instrument audit trail	68	interior view	28
cleaning	56	L	
compartment		LEDs	28, 44, 68
cleaning	58	light mode	51
load samples	47	load samples	47
place shelf	47	M	
condensation	40	main power switch	31
condensation water	26	maintenance	56
Connect/Equil. LED	44	cleaning	56
connectors	31	decontamination	56
consumables	77, 79	firmware update	59
control elements	44	interval	56
cTUVus mark	82	messages	70
D		move	35
decontamination	56	mover	30
delivery	36	description	30
device		operating principle	27
connections	31	Mover Status LED	44
description	26	N	
preparing for operation	46	nominal temperature	51
F		O	
FCC	84	operating principle	27
feature overview	26	operation	32, 41
firmware update	59	control elements	44
front door	47	front door	47, 50
		important settings	51

LEDs 44
 load samples 47
 power on/off 45
 rack type 50, 51
 restart 52
 safety guidelines 43
 sample rack orientation 49
 shelf 47
 temperature control 46
 well plate orientation 49
 ordering information 79
 overview (functional) 25

P

power considerations 39, 40
 power cord 39
 power inlet 31
 Power LED 44
 power switch 31, 45
 preparation 46
 protective clothing 20

R

rack type 50, 51
 rating plate 17
 regulatory compliance 24
 reordering 77
 replacement parts 77, 79
 requirements
 power cord 39
 reset 51
 reset temperature history 51
 restart 52

S

safety class 19
 safety glasses 20
 safety guidelines
 case of emergency 23
 electrical safety 21
 general 19
 general hazards 21
 installation 38
 maintenance 55
 operation 43
 power cord 39
 protective equipment 20

 qualification of personnel 19
 safety symbols 16, 17
 sample position 51
 sample rack 47
 barcode 48
 orientation 49
 rack type 50, 51
 scope of delivery 36
 set temperature 46
 shelf 29
 description 29
 ordering information 79
 place 47
 place sample rack 49
 place well plate 49
 ship 61
 shovel 30
 shutdown 52
 signal words 16
 site requirements 39
 condensation 40
 power considerations 39, 40
 specifications 73
 performance 74
 physical 75
 status indicators 44, 68
 status LEDs 28

T

temperature control 46, 51
 temperature delta 51
 transport 61, 65
 troubleshooting 67
 general information 68
 messages 70
 type label 17

U

UL/CSA compliance 82
 universal serial bus 31
 unpack 34
 USB 31

W

WEEE 83
 well plate 47
 barcode 48

orientation 49
rack type..... 50, 51

www.thermofisher.com

Thermo Fisher Scientific Inc.
168 Third Avenue
Waltham
Massachusetts 02451
USA

ThermoFisher
S C I E N T I F I C