



Precision Compact Gravity Convection Ovens

Models PR305225G (658) and PR305220G (652)

Operating Manual and Parts List LTM1879X1 (7000652) Rev. 6

Visit us online to register your warranty
www.thermoscientific.com/labwarranty

Thermo
SCIENTIFIC

Models covered in this manual		
Models	Size	Voltage
PR305225G (658)	1.7 cu ft	120 V
PR305220G (652)	1.7 cu ft	240 V

MANUAL NUMBER LTM1879X1 (7000652)

6	ECNM-002467	03/08/23	Added part number and description on page 6-1.	TFI
5	ECNM-001892	05/04/22	Updated Temperature range paragraph in page 1-1 and Performance characteristics in page 2-1.	TFI
4	ECNM-001722	11/16/21	Updated new Light Indicator part number in Replacement parts section in page 6-1.	TFI
3	ECNM-001160	11/04/2020	Obsoleted model PR305220GCN. Added Intended and Non-Intended use statements, Safety Precautions, Fuse Rating, Shelf loading, Warnings, Symbols, Replacement parts, Wiring Diagram, Warranty and Regulatory Compliance.	TFI
2	31325	2/16/15	Added not-explosion-proof warning	ccs
1	31259	10/27/14	Updated thermometer installation on pg 3-2	ccs
0	--	4/30/10	Transfer to Marietta (was LTM1879X1 8/4/09)	ccs
REV	ECR/ECN	DATE	DESCRIPTION	By



Important Read this instruction manual. Failure to read, understand and follow the instructions in this manual may result in damage to the unit, injury to operating personnel, and poor equipment performance. ▲

Caution All internal adjustments and maintenance must be performed by qualified service personnel. ▲

Material in this manual is for information purposes only. The contents and the product it describes are subject to change without notice. Thermo Fisher Scientific makes no representations or warranties with respect to this manual. In no event shall Thermo be held liable for any damages, direct or incidental, arising out of or related to the use of this manual.

Intended Use: These ovens are designed for general purpose drying, baking and evaporation or similar type work for non-flammable, non out-gassing materials and crucibles. For indoor use only.

Non-Intended Use: To avoid the risk of explosion do not load the oven with tissue, material or liquids that:

- are easily flammable or explosive,
- release vapor or dust that forms combustible or explosive mixtures when exposed to air;
- release poisons,
- create a humid atmosphere,
- release dust,
- exhibit exothermic reactions;
- are pyrotechnical substances;
- exceed the maximum specified load.

© 2023 Thermo Fisher Scientific. All rights reserved.

Safety precautions



This symbol when used alone indicates important operating instructions which reduce the risk of injury or poor performance of the unit.



WARNING: This symbol indicates potentially hazardous situations which, if not avoided, could result in serious injury or death. ▲



WARNING: This symbol indicates situations where dangerous voltages exist and potential for electrical shock is present. ▲



WARNING: This symbol indicates potentially hazardous situations, which if not avoided could result in fire. ▲



CAUTION: This symbol, in the context of a CAUTION, indicates a potentially hazardous situation which if not avoided could result in minor to moderate injury or damage to the equipment. ▲



CAUTION: This indicates a situation which may result in property damage. ▲



This symbol indicates surfaces which may become hot during use and may cause a burn if touched with unprotected body parts.



Before installing, using or maintaining this product, please be sure to read the manual and product warning labels carefully. Failure to follow these instructions may cause the product to malfunction, which could result in injury or damage.



This symbol indicates a need to use gloves during indicated procedures. If performing decontamination procedures, use chemically resistant gloves. Use insulated gloves for handling samples.



Use this product only in the way described in the product literature and in this manual. Before using it, verify that this product is suitable for its intended use. If the equipment is used in a manner not specified by the manufacturer, the protection provided by the equipment may be impaired.

Below are important safety precautions that apply to this product:



Do not modify system components, especially the controller. Use OEM exact replacement equipment or parts. Before use, confirm that the product has not been altered in any way.



WARNING: Your unit must be properly grounded in conformity with national and local electrical codes. Do not connect the unit to overloaded power sources. ▲



WARNING: Disconnect the unit from all power sources before cleaning, troubleshooting or performing other maintenance on the product or its controls. ▲



WARNING: This unit is not explosion-proof and not intended for heating of flammable materials or materials that could outgas nocuous/toxic fumes when heated. ▲



WARNING: Unauthorized repair of your oven will invalidate your warranty. Contact Technical Service at 1-800-438-4851 for additional information. ▲



WARNING: No equipment that uses an open flame should be placed inside the oven. This will harm the unit, hamper functionality and compromise your safety. ▲



CAUTION: Do not use any battery powered or externally-powered equipment in the oven. ▲



CAUTION: When lifting, the oven should be empty, disconnected from power and not hot to the touch. This product exceeds 18 kg (39 lbs.) It is recommended that it be lifted from the bottom by two persons. ▲



Equipment being maintained or serviced must be turned off and locked off to prevent possible injury.

 Alternating Current, Single Phase

 ON

 OFF

 Protective Conductor Ground Terminal

 Earth Ground Terminal

Do You Need Information or Assistance on Thermo Scientific Products?

If you do, please contact us 8:00 a.m. to 6:00 p.m. (Eastern Time) at:

1-740-373-4763	Direct
1-800-438-4851	Toll Free, U.S. and Canada
1-877-213-8051	FAX
http://www.thermofisher.com	Internet Worldwide Web Home Page
service.led.marietta@thermofisher.com	Tech Support Email Address
www.unitylabservices.com	Certified Service Web Page

Our **Sales Support** staff can provide information on pricing and give you quotations. We can take your order and provide delivery information on major equipment items or make arrangements to have your local sales representative contact you. Our products are listed on the Internet and we can be contacted through our Internet home page.

Our **Service Support** staff can supply technical information about proper setup, operation or troubleshooting of your equipment. We can fill your needs for spare or replacement parts or provide you with on-site service. We can also provide you with a quotation on our Extended Warranty for your Thermo Scientific products.

Whatever Thermo Scientific products you need or use, we will be happy to discuss your applications. If you are experiencing technical problems, working together, we will help you locate the problem and, chances are, correct it yourself...over the telephone without a service call.

When more extensive service is necessary, we will assist you with direct factory trained technicians or a qualified service organization for on-the-spot repair. If your service need is covered by the warranty, we will arrange for the unit to be repaired at our expense and to your satisfaction.

Regardless of your needs, our professional telephone technicians are available to assist you Monday through Friday from 8:00 a.m. to 6:00 p.m. Eastern Time. Please contact us by telephone or fax. If you wish to write, our mailing address is:

Thermo Fisher Scientific (Asheville) LLC
401 Millcreek Road, Box 649
Marietta, OH 45750

International customers, please contact your local Thermo Scientific distributor.

Table of Contents

Section 1	Introduction	1-1
Section 2	Specifications	2-1
Section 3	Unpacking and Installation	3-1
	Electrical Requirements	3-1
	Location	3-1
	Installation	3-2
Section 4	Operation	4-1
Section 5	Maintenance	5-1
Section 6	Replacement Parts	6-1
	Ordering Procedures	6-1
Section 7	Wiring Diagrams	7-1
Section 8	Warranty Information	8-1
Section 9	Regulatory Compliance	9-1

Section 1 Introduction

Thank you for selecting Thermo Scientific products for your equipment needs.

The Thermo Scientific Precision Compact Gravity Convection Ovens are designed for use in laboratories, industry, and schools — wherever there is a need for low-cost, yet reliable ovens for drying, baking, evaporation or similar type work. They are ideal for drying glassware, drying and/or baking non-flammable crystalline chemicals, pre-heating crucibles or other containers.

The temperature range is from ambient up to 250°C as controlled by a bimetallic thermostat on the front control panel. A sheathed heater produces the unit's heat and a pre-set high limit bimetallic thermostat is standard on all models. A pilot light on the control panel indicates oven operation status.

Helping to retain chamber heat is one-inch thick insulation of semi-refractory fibers that is sandwiched between the double walls of the chamber. The interior walls of the chamber are aluminum and the shelves are steel wire as is the surface covering the heater area — all for more efficient distribution of heat.

These ovens are built for rugged performance and long life. Each has a durable powder coated cold rolled steel exterior. To inhibit rust the shelves are nickel-plated steel.

These instructions contain important operating and safety information. The user must carefully read and understand these instructions before using the oven. Your unit has been designed to optimize function, reliability, safety and ease of use. It is the user's responsibility to install the oven in conformance with local electrical codes.

Section 1
Introduction

Section 2 Specifications

Power Requirements

Model PR305225G:120 Volts, 50/60 Hz, 6.7 Amps, 800 Watts

Fuse Rating: 10 A, 5 mm x 20 mm, Time lag, 250 V

Model PR305220G:240 Volts, 50/60 Hz, 3.3 Amps, 800 Watts

Fuse Rating: 5 A, 5 mm x 20 mm, Time lag, 250 V

Overall Dimensions

Models PR305225G, PR305220G:18½" W x 13½" D x 22½" H
(47 x 34 x 57 cm)

Chamber Dimensions

Models PR305225G, PR305220G: . . . 16" W x 11½" D x 16-1/8" H
(41 x 29 x 41 cm)

Volume

Models PR305225G, PR305220G: 1.7 cu. ft. (48.2 liters)

Shelf Loading

Max. per shelf - 20 lbs

Max Cabinet - 40 lbs

Shipping Weight

Models PR305225G, PR305220G: . . .57 lbs. (26 kg)

Performance Characteristics

Measured as per DIN 12880:2007-05

Temperature Range Ambient up to 250°C

Uniformity at 100°C . . .All models ±5.0°C at 100°C

Stability at 100°C . . .All models ±13.0°C at 100°C

Environmental Operating Conditions

Pollution Degree:2
Installation Category:II
Altitude:2000 Meters MSL (Mean Sea Level)
Humidity:80% maximum, non-condensing
Electrical Supply:120 VAC or 240 VAC
Voltage Tolerance:±10% of normal rated line
Temperature:15°C to 40°C
Product Usage: This product is intended for use indoors only

Section 3 Unpacking and Installation

The shipping carton should be inspected upon delivery. When received, carefully examine for any shipping damage before unpacking. If damage is discovered, the delivering carrier should both specify and sign for the damage on your copy of the delivery receipt.

Open the carton carefully making certain that all parts are accounted for before packaging materials are discarded. After unpacking, if damage is found, promptly report it to the carrier and request a damage inspection promptly.

Important Failure to request an inspection of damage within a few days after receipt of shipment absolves the carrier from any liability for damage. Call for a damage inspection promptly.



Note Disconnect unit from the power source when not in use. ▲

Location



The oven should be located in an area free from drafts and sources of heat, as well as allowing for natural air movement to dissipate heat from the oven. To ensure needed ventilation around the oven, allow 1.5 inches on each side and 3 inches at the back. Allow enough distance above the unit to be able to install and retrieve the thermometer (approx. 15").

Electrical Requirements



- Do not stack units together. The unit may become unstable and fall.
- Use a properly grounded electrical outlet of correct voltage and current handling capacity.
- Do not remove or modify grounded power plug. Use only properly grounded outlets to avoid shock hazard.
- Do not replace detachable line cord with a cord having a lesser rating than the cord supplied by the manufacturer.



- Do not place on or near a combustible surface or material.



Note Disconnect the unit from the power source when not in use. ▲

Installation

1. Ensure the cabinet mounting feet and installation surface are clean to maximize installation stability.
2. Install the shelves on the rack inside the oven.
3. Turn the power switch OFF and plug the oven into a receptacle that provides the required voltage as indicated on the unit's nameplate.
4. Install an immersion thermometer (furnished by the user) through the thermometer grommet and into the thermometer holder.
5. Adjust the immersion depth to 6-7/8" (175 mm), measured from the bulb to the top of the rubber washer.
6. Insert this assembly into the thermometer vent ring that is located on top of the oven.



Note If the equipment is not used in the manner specified by the manufacturer, the protection provided by equipment may be impaired. ▲

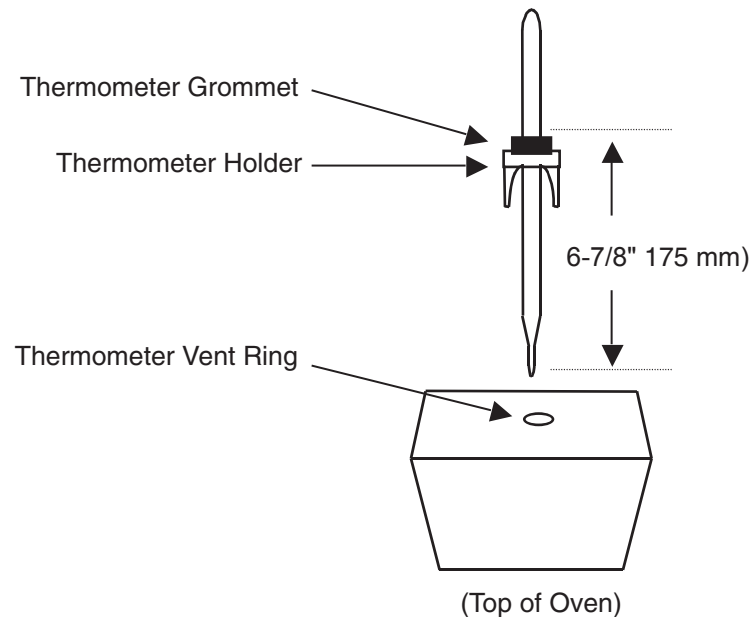


Figure 3-1. Thermometer Components

Section 4 Operation

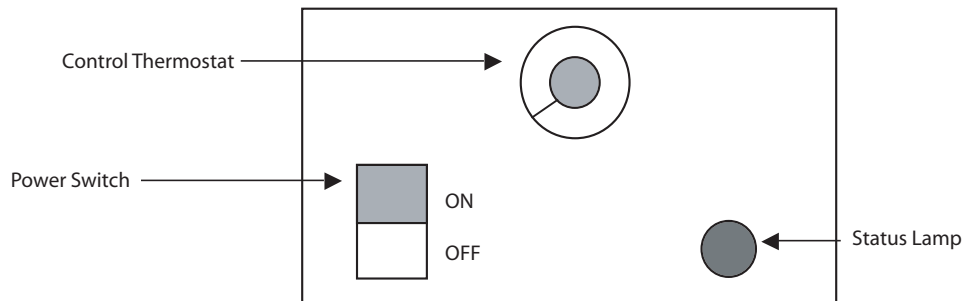


Figure 4-1. Control Panel

Start-Up

1. Turn the power switch ON – status lamp will light.
2. Set the control thermostat to obtain the desired temperature. Read the user-supplied thermometer, not the control dial; the control dial is graduated from 0 to 10 for REFERENCE PURPOSES ONLY. It is suggested that a log be made of control settings vs. thermometer readings to assist in obtaining desired temperatures. However, it is important to bear in mind that the applicability of such a chart will be affected by changes in line voltage and ambient conditions.
3. Allow time for the oven to reach its maximum set temperature and to stabilize.



Warning Do not use in the presence of flammable or combustible materials or explosive gases. Do not use in the presence of pressurized or sealed containers - fire or explosion may result, causing death or severe injury. ▲



Warning Do not heat any substance above a temperature that will cause it to emit toxic fumes; death or severe injury may result. ▲



Caution It is the user's responsibility to monitor oven action when setting and maintaining operating temperature; oven failure may occur with possible property damage and/or injury to personnel. ▲

**Start-Up
(Cont.)**



Caution Do not place hot products removed from the oven onto a flammable surface or near flammable material. ▲



Warning To avoid electrical short or shock, do not allow any metal object to protrude into the space beneath the shelf/heater shield inside the oven. In addition, do not operate oven with the shield removed. ▲



Warning Hot Surface At the higher temperatures, the exterior of the oven and particularly the thermometer vent ring on the top become uncomfortably warm to the touch. To avoid burns, do not touch these surfaces. ▲

Thermometer Vent Ring

Heater Shield

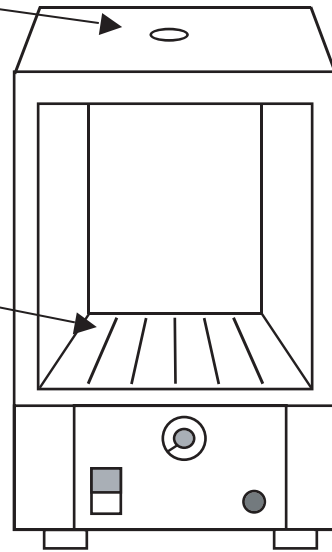


Figure 4-2. Vent Ring and Heater Shield Locations



Warning This unit is not explosion-proof. Do not use in the presence of flammable or combustible materials; fire or explosion may result. Unit contains components that may ignite such materials. Before operating oven, always observe the following safety precautions:



- Fumes and spillage from acidic solutions cause corrosion of the stainless steel chamber. Care should be taken to maintain a neutral pH at all times.
- The heater for the oven is in the bottom of the unit. Surface temperatures at the bottom cover of the unit may be higher than set point temperature.



For example: A plastic container on the heater cover may become hot enough to melt/burn the container at settings below the melting point of plastic. Do not place items on the heater cover.

Section 5 Maintenance

Because of their rugged, simple construction, these ovens require very little maintenance. Ordinary cleaning will suffice. The bottom shelf that covers the heater can be removed for easy access to the heater area.

Clean up any spills as soon as possible to prevent materials being baked on surfaces. When the oven is cool, use a mild soap and water to clean surfaces. Rinse thoroughly and dry. It is best to avoid highly abrasive cleaners that can damage the finish of the interior surfaces and shelves.

If the oven fails to heat, there may be several possible causes:

- Oven is not receiving electrical power.
- Heater is burned out.
- Thermostat is malfunctioning.

Have a qualified electrical technician determine the cause of the problem and make the necessary repairs. Your local Thermo Scientific products dealer can provide the service and replacement parts needed.



Warning Disconnect from the power supply prior to maintenance and servicing. ▲



Note Make no attempt to service or repair a Thermo Scientific product under warranty before consulting your Thermo dealer. After the warranty period, such consultation is still advised, especially when the repair may be technically sophisticated or difficult. If assistance is needed beyond what the distributor can provide, please call Technical Services. No merchandise should be returned directly to the factory without obtaining a Return Materials Authorization (RMA) number from Technical Services. ▲



Note The qualified electrical technician is required to verify the safe state of the oven after any repair. ▲

Section 5
Maintenance

Section 6 Replacement Parts

DESCRIPTION	PART NUMBER
Fuse 5 A time lag 5 mm x 20 mm, 250 V	317599
Fuse 5 A time lag 5 mm x 20 mm, 250 V	230195
Tension Catch	600-124-00
Handle	317571
Feet	790-225-00
240 VAC Lamp Assembly Amber Lens	3155943
Power Switch (120 V)	SWX143
Power Switch (240 V)	440-292-00
Thermometer Grommet	790-247-00
Thermometer Holder	910-039-00
Control Thermostat	920-412-00
Thermostat Knob	560-265-00
Hi-Limit Thermostat	920-413-00
Heaters	
PR305225G	340-213-00
PR305220G	340-215-00
Shelf Kit	3511-8Q
European Cord Set, 250 V 10 A	430109*
US Cord Set, 250 V 10 A	430601*
US Cord Set, 125 V 13 A	430326**

* These parts are included with 240 V models starting at release level 21.

** This part is included with 120 V models starting at release level 21.

Ordering Procedures

Refer to the Specification Plate for the complete model number, serial number, and series number when requesting service, replacement parts or in any correspondence concerning this unit.

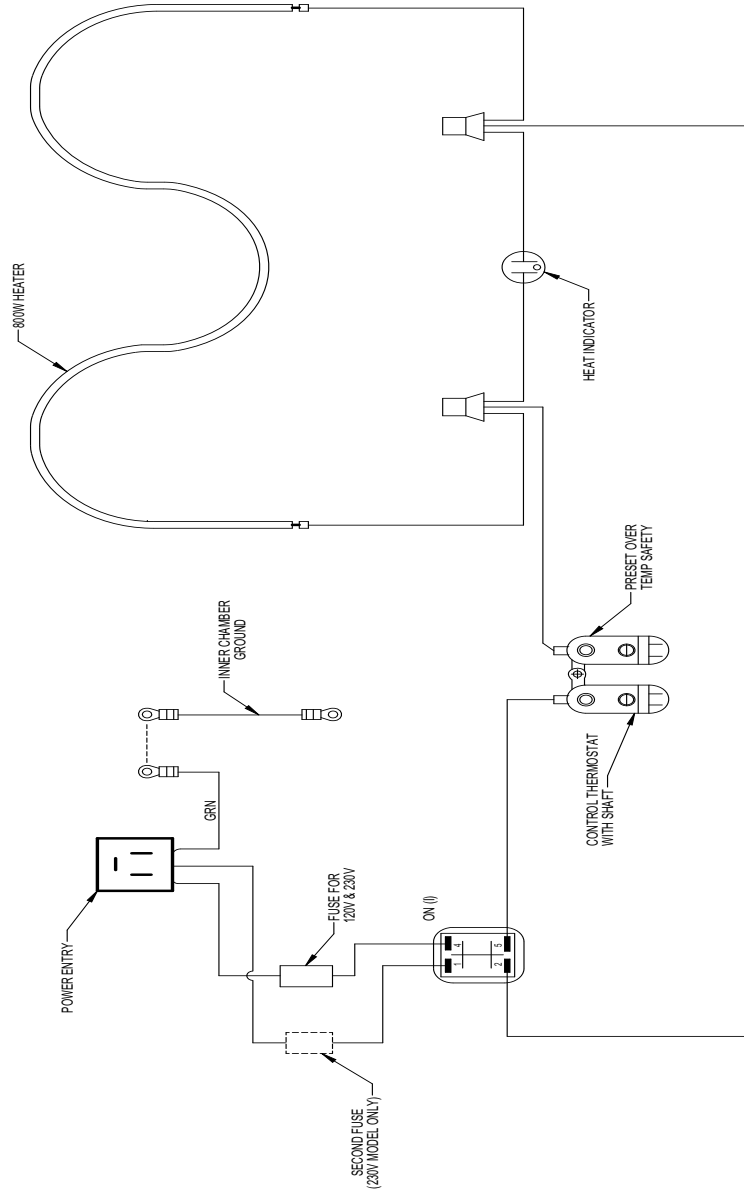
All parts listed herein may be ordered from the Thermo Scientific dealer from whom you purchased this unit or can be obtained promptly from the factory. When service or replacement parts are needed, check first with your dealer. If the dealer cannot process your request, then contact our Technical Services Department.

Prior to returning any materials, contact our Technical Services Department for a “Return Materials Authorization” number (RMA). Material returned without an RMA number will be refused.

Section 7 Wiring Diagrams

DRAWING NUMBER: 658-70-0-B

REV/	ECN NO.	DATE	BY	CAD	APPD	DESCRIPTION OF REVISION
0	ECN#-000720	01-20-20	TFI	TFI	JLO-JF	RELEASED FOR PRODUCTION



THIS DOCUMENT CONTAINS PROPRIETARY INFORMATION AND SUCH INFORMATION IS NOT TO BE DISCLOSED TO OTHERS FOR ANY PURPOSE NOR USED FOR MANUFACTURING PURPOSES WITHOUT WRITTEN PERMISSION FROM THERMO FISHER SCIENTIFIC

MODEL PART NAME:	GRAVITY OVEN
DWG TITLE:	ELECTRICAL SCHEMATIC
DWN: TFI	CAD: TFI
APPD: JLO/JF	DATE: 01-20-20
SCALE: NONE	

MATERIAL: N/A	
PAINT COLOR: N/A	
TOLERANCE UNLESS OTHERWISE SPECIFIED	DRAWING NUMBER
ANGLES .XX±	658-70-0
DECIMAL .XX±	SIZE
	B

- MODEL LIST:
- MODEL # - CATALOG #
 - 652 - 3511CPQ (230V)
 - 653 - 3511CPO (120V)
 - 654 - 3511FSO (120V)
 - 657 - PR30520G (240V)
 - 658 - PR30525G (120V)
- ALL MODELS ARE 50/60 Hz

58496520143

Section 7
Wiring Diagram

Section 8 Warranty

THERMO FISHER SCIENTIFIC STANDARD PRODUCT WARRANTY

The Warranty Period starts two weeks from the date your equipment is shipped from our facility. This allows for shipping time so the warranty will go into effect at approximately the same time your equipment is delivered. The warranty protection extends to any subsequent owner during the first year warranty period.

During the first year, component parts proven to be non-conforming in materials or workmanship will be repaired or replaced at Thermo's expense, labor included. Installation and calibration are not covered by this warranty agreement. The Technical Services Department must be contacted for warranty determination and direction prior to performance of any repairs. Expendable items, glass, filters and gaskets are excluded from this warranty.

Replacement or repair of components parts or equipment under this warranty shall not extend the warranty to either the equipment or to the component part beyond the original warranty period. The Technical Services Department must give prior approval for return of any components or equipment. At Thermo's option, all non-conforming parts must be returned to Thermo Fisher Scientific postage paid and replacement parts are shipped FOB destination.

THIS WARRANTY IS EXCLUSIVE AND IN LIEU OF ALL OTHER WARRANTIES, WHETHER WRITTEN, ORAL OR IMPLIED. NO WARRANTIES OF MERCHANTABILITY OR FITNESS FOR A PARTICULAR PURPOSE SHALL APPLY. Thermo shall not be liable for any indirect or consequential damages including, without limitation, damages relating to lost profits or loss of products.

Your local Thermo Sales Office is ready to help with comprehensive site preparation information before your equipment arrives. Printed instruction manuals carefully detail equipment installation, operation and preventive maintenance.

If equipment service is required, please call your Technical Services Department at 1-800-438-4851 (USA and Canada) or 1-740-373-4763. We're ready to answer your questions on equipment warranty, operation, maintenance, service and special application. Outside the USA, contact your local distributor for warranty information.



Rev. 4 4/09

THERMO FISHER SCIENTIFIC INTERNATIONAL DEALER WARRANTY

The Warranty Period starts two months from the date your equipment is shipped from our facility. This allows for shipping time so the warranty will go into effect at approximately the same time your equipment is delivered. The warranty protection extends to any subsequent owner during the first year warranty period. Dealers who stock our equipment are allowed an additional six months for delivery and installation, provided the warranty card is completed and returned to the Technical Services Department.

During the first year, component parts proven to be non-conforming in materials or workmanship will be repaired or replaced at Thermo's expense, labor excluded. Installation and calibration are not covered by this warranty agreement. The Technical Services Department must be contacted for warranty determination and direction prior to performance of any repairs. Expendable items, glass, filters, reagents, tubing, and gaskets are excluded from this warranty.

Replacement or repair of components parts or equipment under this warranty shall not extend the warranty to either the equipment or to the component part beyond the original warranty period. The Technical Services Department must give prior approval for return of any components or equipment. At Thermo's option, all non-conforming parts must be returned to Thermo postage paid and replacement parts are shipped FOB destination.

THIS WARRANTY IS EXCLUSIVE AND IN LIEU OF ALL OTHER WARRANTIES, WHETHER WRITTEN, ORAL OR IMPLIED. NO WARRANTIES OF MERCHANTABILITY OR FITNESS FOR A PARTICULAR PURPOSE SHALL APPLY. Thermo shall not be liable for any indirect or consequential damages including, without limitation, damages relating to lost profits or loss of products.

Your local Thermo Sales Office is ready to help with comprehensive site preparation information before your equipment arrives. Printed instruction manuals carefully detail equipment installation, operation and preventive maintenance.

Contact your local distributor for warranty information. We're ready to answer your questions on equipment warranty, operation, maintenance, service and special application.



Rev. 4 2/09

Section 9 Regulatory Compliance

Product Safety

This product family has been tested to applicable product standards by UL, a Nationally Recognized Test Laboratories (NRTL).



Electromagnetic Compatibility

FCC Statement (USA)



Any changes or modifications not expressly approved by the party responsible for compliance could void the user's authority to operate the equipment.

Note This equipment has been tested and found to comply with the limits for a Class A digital device, pursuant to part 15 of the FCC Rules. These limits are designed to provide reasonable protection against harmful interference when the equipment is operated in a commercial environment. ▲

Canadian ISED IC Notice

This class B digital apparatus complies with Canadian ICES-001. Cet appareil numérique de la classe B est conforme à la norme NMB-001 du Canada.

Evaluation of Chemicals - Regulations and Directives

REACH - Europe

We are committed to meeting all compliance obligations to evaluate, communicate, and register any Substances of Very High Concern (SVHC), and finding alternates where appropriate.

RoHS - Europe

- We are determined to reduce the impact we have on the environment, and so can declare that this product fully complies with the European Parliament's RoHS2 (Restriction of Hazardous Substances) Directive 2011/65/EU, with respect to all the following substances:
 - Lead (0,1 %)
 - Mercury (0,1 %)
 - Cadmium (0,01 %)
 - Hexavalent chromium (0,1 %)
 - Polybrominated biphenyls (PBB) (0,1 %)
 - Polybrominated diphenyl ethers (PBDE) (0,1 %)

Evaluation of Chemicals - Regulations and Directives (Cont.)

Our compliance is witnessed by written declaration from our suppliers and/or component testing. This confirms that any potential trace contamination levels of the substances listed above are below the maximum level set by the latest regulations or are exempt due to their application.

Additional Regulations & Markings

European Union



The European voltages of this product meets all the applicable requirements of the European Directives, and display the CE Marking. An EC declaration of conformity may be obtained from the manufacturer.

End of Life Care

Be sure to follow local regulations when disposing of an old unit. Some suggestions are listed below:

- Remove items from the unit. Be sure to clean up any biological safety hazards.
- Remove the cabinet door to help prevent entrapment inside of a unit.
- Dispose of components following local regulations.

WEEE Compliance

WEEE Compliance. This product is required to comply with the European Union's Waste Electrical & Electronic Equipment (WEEE) Directive 2012/19/EU. It is marked with the following symbol. Thermo Fisher Scientific has contracted with one or more recycling/disposal companies in each EU Member State, and this product should be disposed of or recycled through them. Further information on our compliance with these Directives, the recyclers in your country, and information on Thermo Scientific products which may assist the detection of substances subject to the RoHS Directive are available at www.thermofisher.com/

Great Britain



WEEE Konformität. Dieses Produkt muss die EU Waste Electrical & Electronic Equipment (WEEE) Richtlinie 2012/19/EU erfüllen. Das Produkt ist durch folgendes Symbol gekennzeichnet. Thermo Fisher Scientific hat Vereinbarungen getroffen mit Verwertungs-/Entsorgungsanlagen in allen EU-Mitgliederstaaten und dieses Produkt muss durch diese Firmen widerverwettet oder entsorgt werden. Mehr Informationen über die Einhaltung dieser Anweisungen durch Thermo Scientific, die Verwerter und Hinweise die Ihnen nützlich sein können, die Thermo Fisher Scientific Produkte zu identifizieren, die unter diese RoHS. Anweisung fallen, finden Sie unter www.thermofisher.com/

Deutschland



Conformità WEEE. Questo prodotto deve rispondere alla direttiva dell'Unione Europea 2012/19/EU in merito ai Rifiuti degli Apparecchi Elettrici ed Elettronici (WEEE), marcato col seguente simbolo. Thermo Fisher Scientific ha stipulato contratti con una o diverse società di riciclaggio/smaltimento in ognuno degli Stati Membri Europei. Questo prodotto verrà smaltito o riciclato tramite queste medesime. Ulteriori informazioni sulla conformità di Thermo Fisher Scientific con queste Direttive, l'elenco delle ditte di riciclaggio nel Vostro paese e informazioni sui prodotti Thermo Scientific che possono essere utili alla rilevazione di sostanze soggette alla Direttiva RoHS sono disponibili sul sito <http://www.thermofisher.com/>

Italia



WEEE Compliance (cont.)

Conformité WEEE. Ce produit doit être conforme à la directive euro-péenne 2012/19/EU des Déchets d'Equipements Electriques et Electroniques (DEEE). Il est marqué par le symbole suivant. Thermo Fisher Scientific s'est associé avec une ou plusieurs compagnies de recyclage dans chaque état membre de l'union européenne et ce produit devrait être collecté ou recyclé par celles-ci. Davantage d'informations sur la conformité de Thermo Fisher Scientific à ces directives, les recycleurs dans votre pays et les informations sur les produits Thermo Fisher Scientific qui peuvent aider la détection des substances sujettes à la directive RoHS sont disponibles sur <http://www.thermofisher.com/>

France



Cumplimiento de WEEE. Se requiere que este producto cumpla con la Directiva 2012/19/EU de Desechos de Equipos Eléctricos y Electrónicos (WEEE) de la Unión Europea. Está marcado con el siguiente símbolo. Thermo Fisher Scientific ha contratado a una o más empresas de reciclaje / eliminación en cada Estado miembro de la UE, y este producto debe desecharse o reciclarse a través de ellos. Para obtener más información sobre el cumplimiento de estas Directivas, los recicladores de su país e información sobre los productos Thermo Scientific que pueden ayudar a detectar sustancias sujetas a la Directiva RoHS, visite www.thermofisher.com/

Spanish



thermoscientific.com

© 2023 Thermo Fisher Scientific Inc. All rights reserved. All trademarks are the property of Thermo Fisher Scientific and its subsidiaries. Specifications, terms and pricing are subject to change. Not all products are available in all countries. Please consult your local sales representative for details.

Thermo Fisher Scientific (Asheville) LLC

401 Millcreek Road
Marietta, Ohio 45750
United States

Thermo
S C I E N T I F I C
A Thermo Fisher Scientific Brand