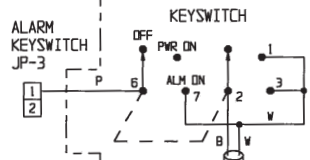
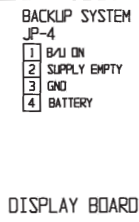
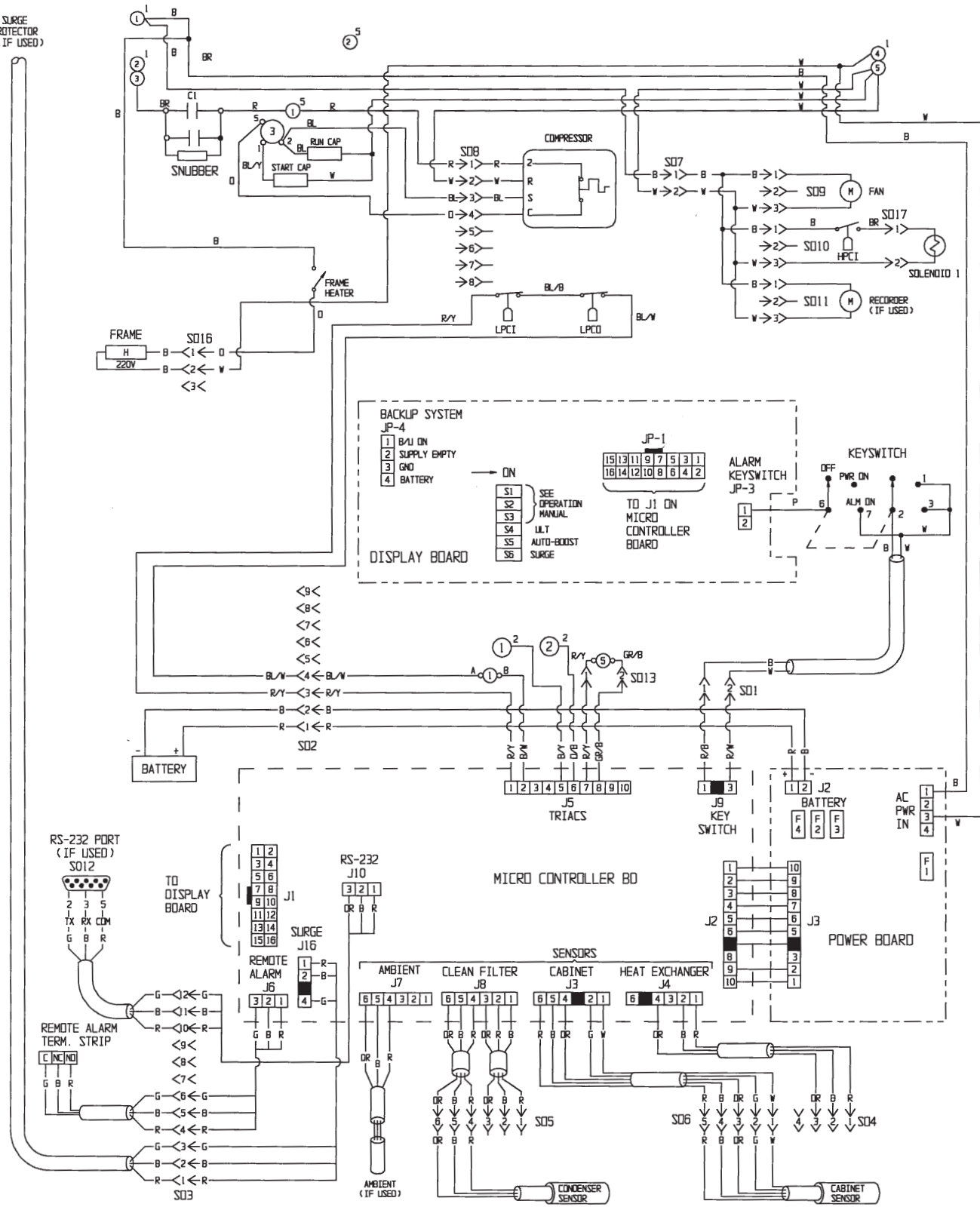
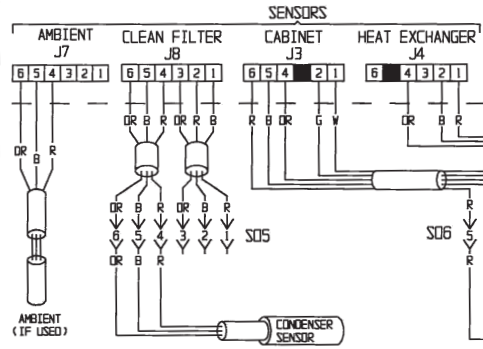


SURGE PROTECTOR (IF USED)



MICRO CONTROLLER BO



RS-232 PORT (IF USED) SO12

REMOTE ALARM TERM. STRIP

Wires not connected symbol

Wires connected symbol

RELAY CONTACTS - NO (LARGER # IS RELAY #)

RELAY CONTACTS - NC (SMALLER # IS TERM. #)

MOTOR symbol

HEATER symbol

TERM. STRIP # OUTSIDE IS STRIP #, INSIDE IS LUG #

RELAY COIL # OUTSIDE IS TERM. #, INSIDE IS RELAY #

NO PRESS. SW. CLOSES ON DROP

NC PRESS. SW. OPENS ON RISE

SOLENOID symbol

LEGEND :

R - RED
BL - BLUE
GR - GREY
Y - YELLOW
O - ORANGE
T - TAN

B - BLACK
BR - BROWN
G - GREEN
W - WHITE
P - PURPLE
- - SIGNIFIES WIRE TRACE

B 39432 H01B
WIRING DIAGRAM
CFC -140/-150°