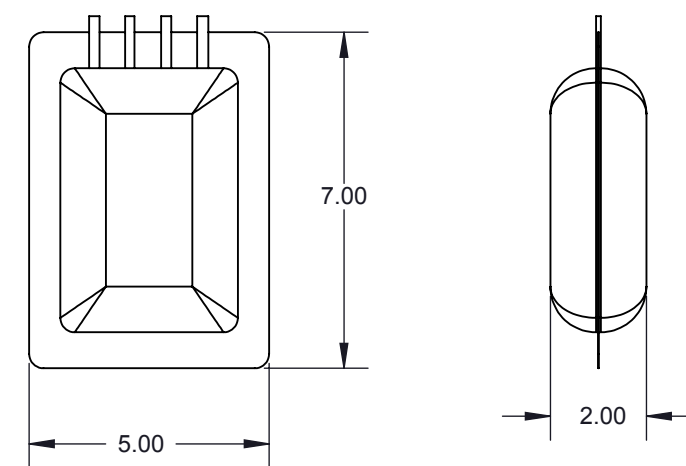


STORAGE CAPACITY DETAILS:
 NUMBER OF PLASMA BAGS PER SHELF = (5 X 14)+6 VERTICAL=76 BAGS PER SHELF
 NUMBER OF SHELVES PER UNIT = 14 PER UNIT
 TOTAL NUMBER OF STORAGE CAPACITY = 14X76=1064 BAGS



BLOOD PACKET LAYOUT

A	002076	2015-06-04	INITIAL RELEASE
REV	DCO #	DATE	DESCRIPTION

REVISIONS

ThermoFisher SCIENTIFIC		THE INFORMATION CONTAINED HEREIN IS THE PROPRIETARY DATA OF THERMO FISHER SCIENTIFIC. IT IS NOT TO BE REPRODUCED OR DISCLOSED IN WHOLE OR IN PART WITHOUT PRIOR WRITTEN CONSENT OF THERMO FISHER SCIENTIFIC. DO NOT SCALE THIS DRAWING.
275 AIKEN ROAD ASHEVILLE, NC 28804		

TITLE **PLASMA BLOOD PACKET LAYOUT FOR 51.1 CU.FT.**

ARTICLE OR MATERIAL MUST COMPLY WITH THE ENVIRONMENTAL COMPLIANCE SPECIFICATION TFS DRAWING 260111S01

3rd ANGLE PROJECTION DWG. NO. **327451H01**

SIZE **B** SHEET 1 OF 1