

Service Spare Parts

Thermo Scientific CW3

PN: 12007400-02



The original version of this manual is valid. Thermo Scientific cannot guarantee the accuracy or completeness of subsequent copies

SPARE PARTS

Exploded View	10-2

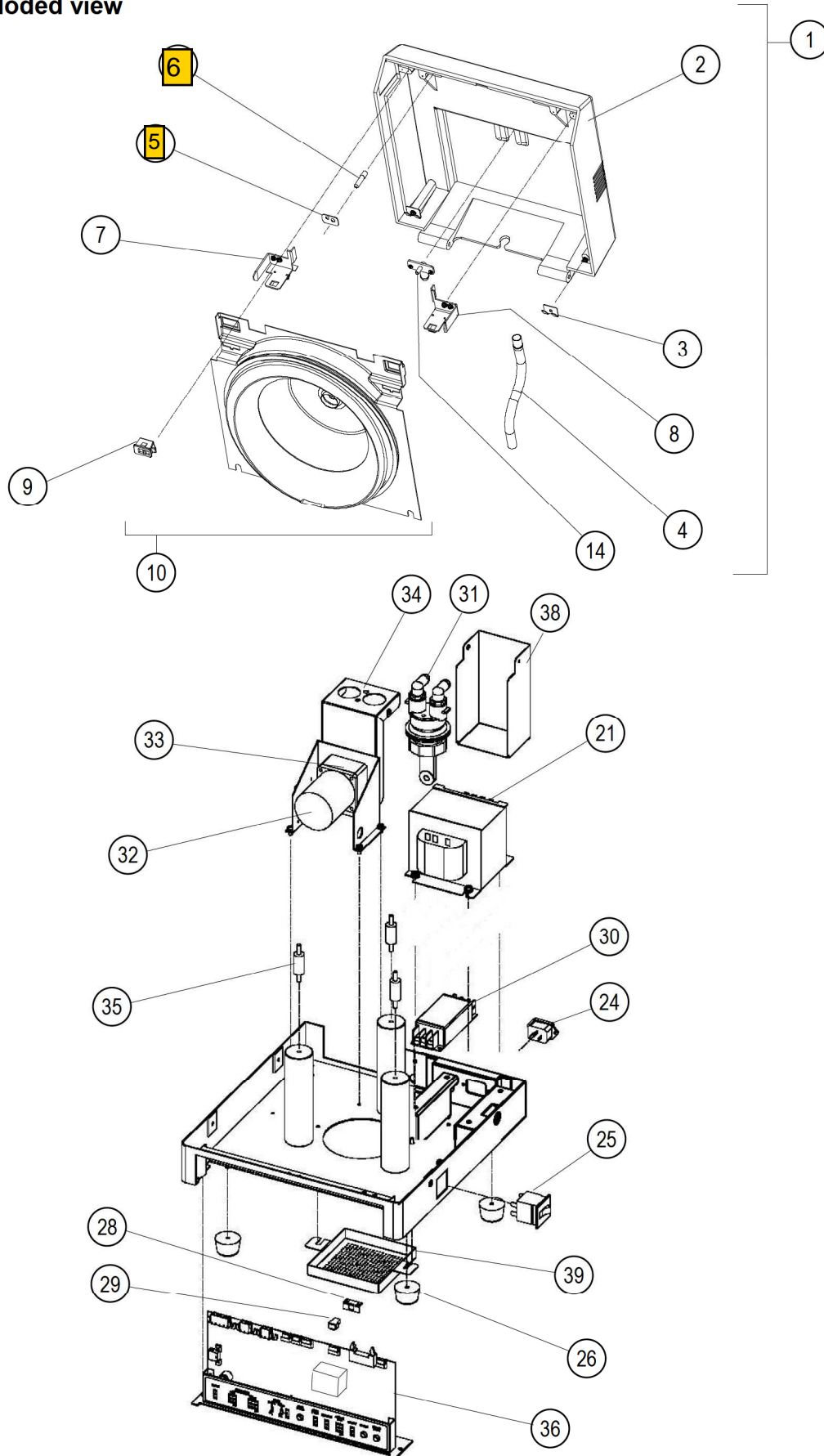
Spare Parts List	10-6

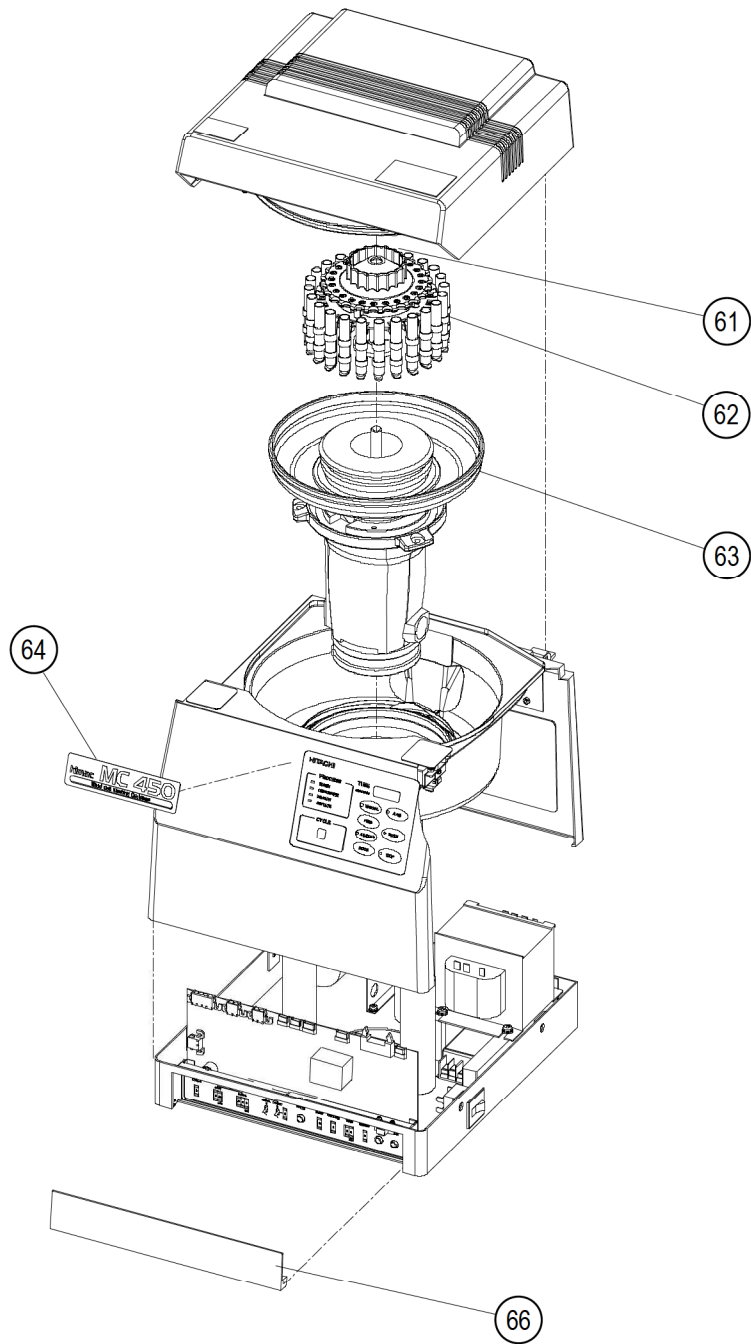
Spare part numbers and spare parts are subject to change in case of technical upgrades or supplier change. New specifications and part numbers are announced through technical service bulletins.

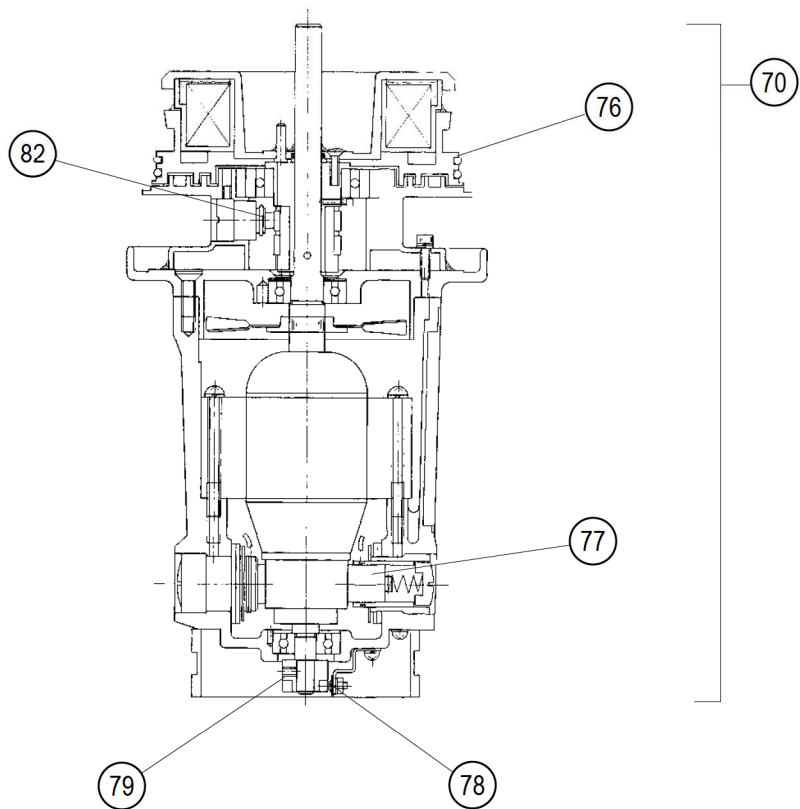
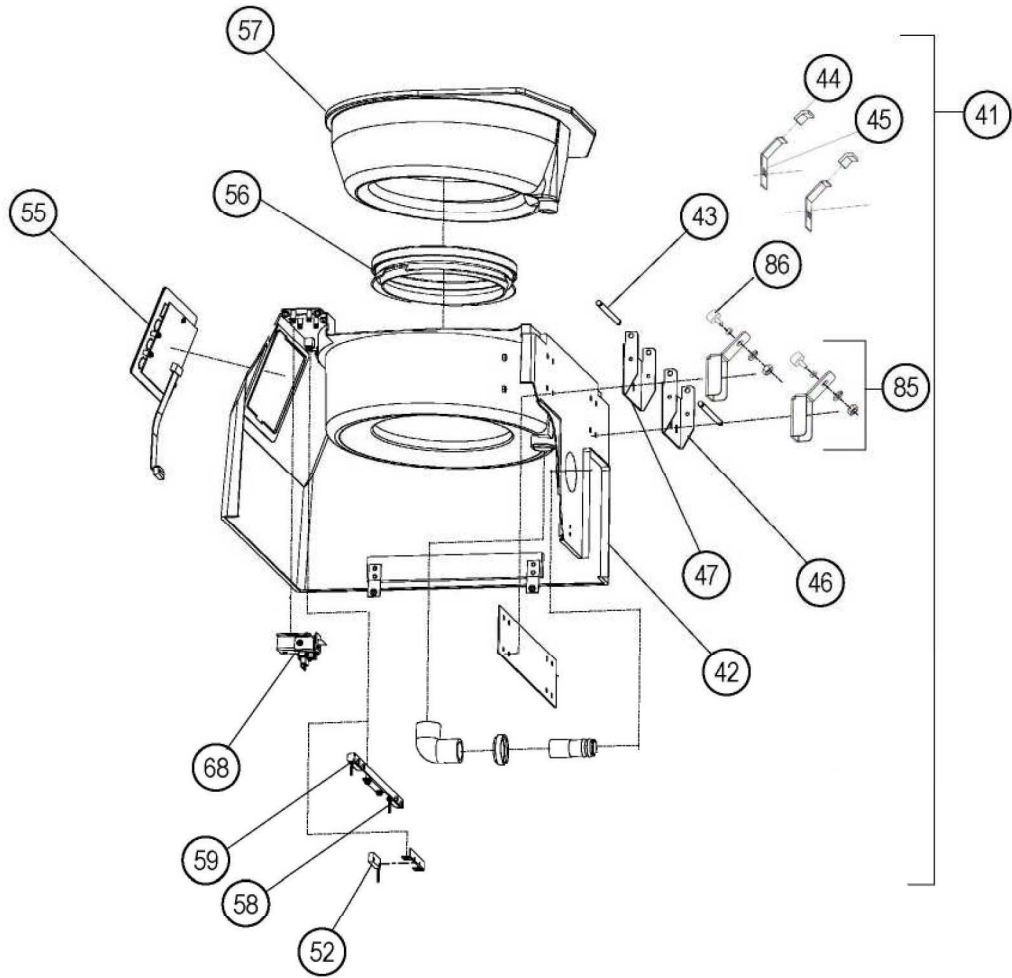
The spring definitely does not come included in items 7 & 8...They do come with the "Door Lock Cover Assembly" which is two pieces a left side and right side. The numbers are below:

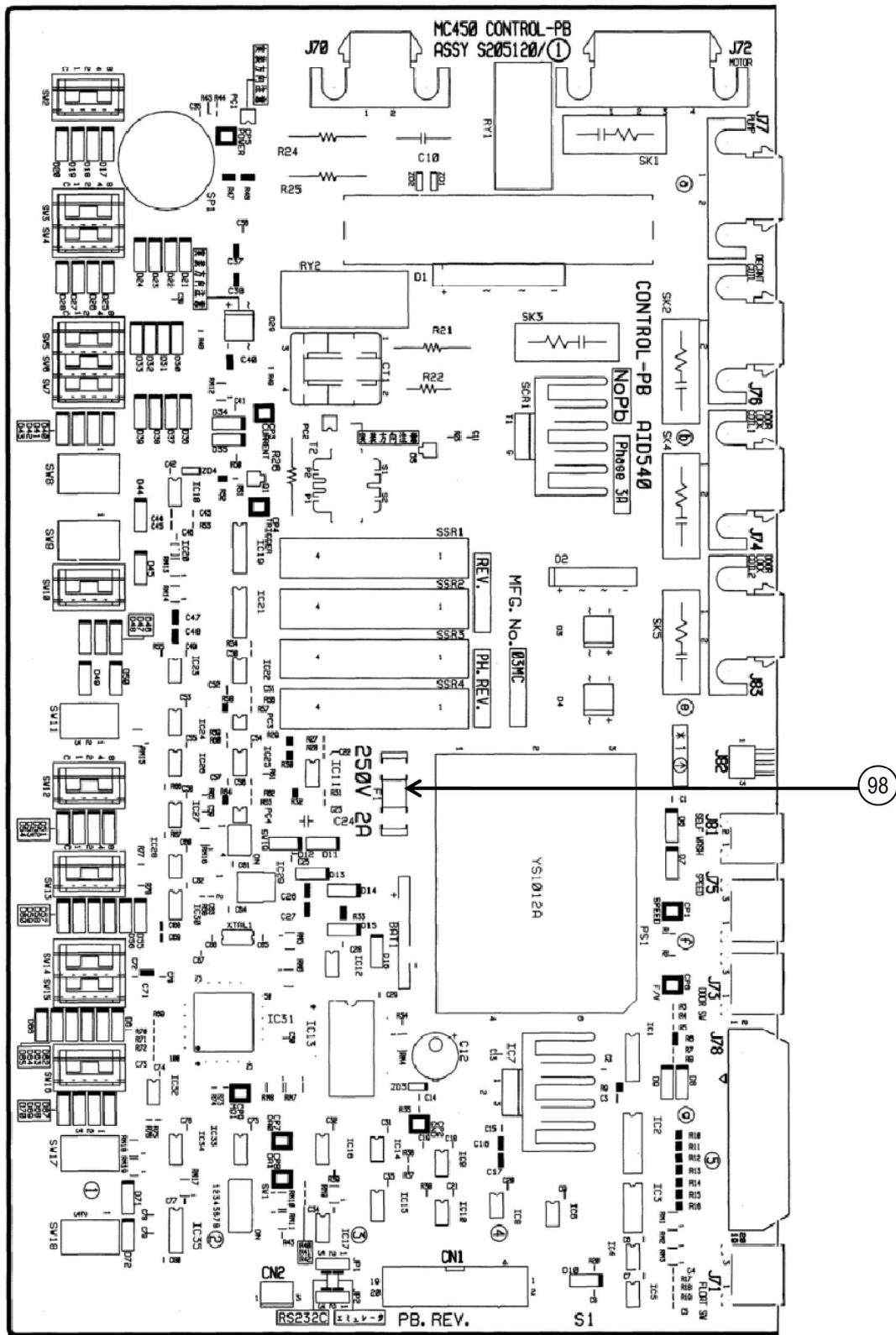
S307694A-HKK - Door Lock Cover Assy, Right
S307694B-HKK - Door Lock Lock Cover Assy, Left

Exploded view









Spare parts list

No.	Part No.	Part name	Remark
1	S203990A-HKK	Cover ass'y	Including No.2~14
2	S203991-HKK	Cover	
3	S410685-HKK	Drain cover holder	
4	4744346	Tube	3.0m
5	S403830-HKK	Support base	
6	S402789-HKK	Push rod	
7	S307484-HKK	Door lock cover	For the left viewed from the front of cell washer
8	S3074842-HKK	Door lock cover	For the right viewed from the front of cell washer
9	84431502-HKK	One- touch panel	
10	S204755B-HKK	Drain cover (A2) ass'y	
14	S404322-HKK	Nozzle	
21	S309271F	Insulated Transformer ass'y	HK0093, for AC120V input
22	S309271E	Insulated Transformer ass'y	HK0093, for AC230V input
24	S309343-HKK	Inlet	
25	84335904-HKK	Circuit protector	
26	469994-HKK	Rubber foot	
28	84361401-HKK	Magnet catch	B-NS2 Sugastune
29	S410686-HKK	Latch base	
30	84380703-HKK	Noise filer	MXB-1210-33
31	S413230A-HKK	Bellows pump (SP) ass'y	
32	S302616-HKK	Induction motor	
33	S3025774-HKK	Gear head (A)	
34	S412399A-HKK	Pump base ass'y (T)	
35	476893-HKK	Damping rubber	
36	S309938B-HKK	PB unit SP ass'y	
38	S307945-HKK	Pump cover	
39	S411107	Motor guard plate	
41	S101845A-HKK	Console ass'y	Including No.42~57, 59,67,68
42	S101823A-HKK	Cabinet ass'y	
43	S412398-HKK	Hinge shaft (T)	
46	S4037792-HKK	Hinge base	For the right viewed from the rear of cell washer
47	S403779-HKK	Hinge base	For the left viewed from the rear of cell washer
55	S307542B-HKK	Touch panel ass'y	
56	S412627-HKK	Center packing (3)	

No.	Part No.	Part name	Remark
57	S204753A-HKK	Inner chamber ass'y	
58	S411118A-HKK	Door SW(2) ass'y	
59	S402775C-HKK	Door SW ass'y	
61	75000024	Distributor ass'y	24 places
61	75000025	Distributor ass'y	12 places
62	75000022	Rotor ass'y	24 places
62	75000023	Rotor ass'y	12 places
63	S402776A	Bowl ass'y	
64	S307507-HKK	Mark plate	
66	S309117-HKK	Panel door (2)	
68	S308240B-HKK	Door lock ass'y	
70	S202672D-HKK	Drive unit ass'y	Including No.72~83
76	434881-HKK	O ring	
77	S304763D-HKK	C.B	for motor
78	S203905C-HKK	Speed sensor ass'y	
79	474243B-HKK	Magnet holder ass'y	
82	S406451B-HKK	C.B	For slip ring ass'y
85	S412670A-HKK	Door stopper (B) ass'y	
86	84591301-HKK	Rubber mount	
98	S413542-HKK	Fuse (2A)	F1, 2JQ2-R Bel Fuse
	84330310-HKK	Fuse (2A)	MF1, MF2, MF3, SM 250V 2 Daitonagasawa