

**Fitting instructions
Thermo Scientific Barnstead
Accessory Dispenser**



Extent of delivery for Hand Dispenser 50138221:

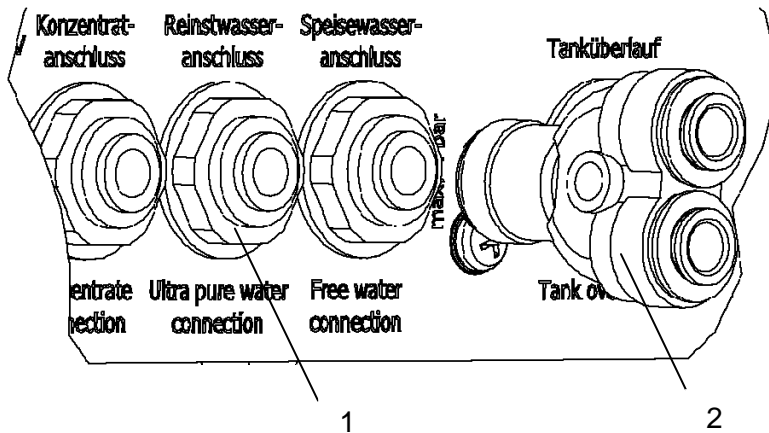
1 x Accessory Dispenser with wall holder	Article no.: 50138220
1 x Plug-in adapter, 1/4" diam.	Article no.: 50138224
1 x Y-Connector, 1/4" diam.	Article no.: 50138223
1 x PVC-Union nut, 3/4"	Article no.: 14.0003
1 x Put in angle connector d8	Article no.: 14.0405
1 x POM-Insert 1/4" i.d.	Article no.: 14.0189
1 x Screw-in connector, 8, 1/4"	Article no.: 14.0075
1 x Sterile filter capsule, 0.2µm	Article no.: 09.1003
1 x Gasket, D 24 x 12 x 2 (R 3/4")	Article no.: 21.5008
1 x Hose, 1/4", length 3m	Article no.: 18.0137
2 x Nylon dowel S6	Article no.: 21.0003
2 x Head wood screw	Article no.: 21.0001

Contents

How to fit the accessory dispenser to Smart2Pure 3/6 and Smart2Pure 12 without recirculation connection.....	2
How to fit the accessory dispenser to Smart2Pure 3/6 and Smart2Pure 12 with recirculation connection.....	2
How to fit the accessory dispenser to the tank of Pacific RO/TII/AFT.....	3
How to fit the accessory dispenser to the tank of LabTower RO/TII/EDI/AFT.....	4
How to fit a second accessory dispenser to the dispensing valve of LabTower EDI/TII/AFT ..	4
Pictures of LabTower EDI with two fitted accessory dispenser.....	5

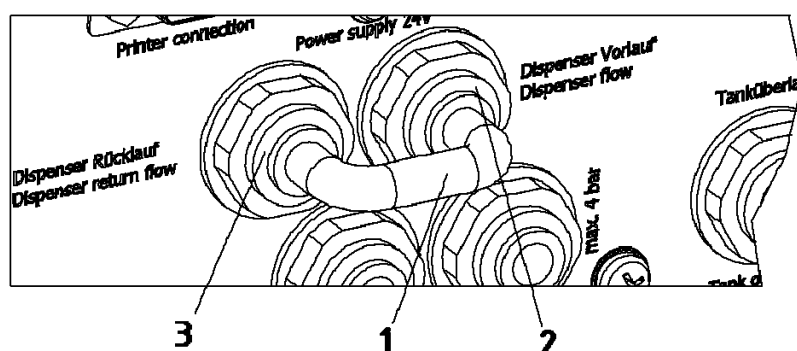
Read these instructions carefully before fitting the accessory!

How to fit the accessory dispenser to Smart2Pure 3/6 and Smart2Pure 12 without recirculation connection



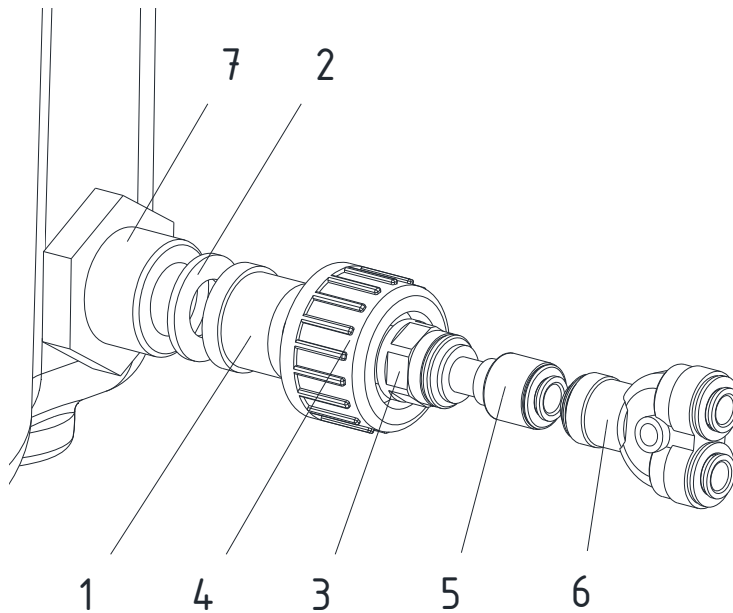
- Unplug the power plug.
- Relieve the pressure in the system by briefly opening the dispensing valve.
- Remove the closing plug from Ultra Pure water connection (1).
- Use the hose d1/4" provided to connect the Y-connector d1/4" (2) to the Ultra pure water connection (1).
- Fit the two hoses of the dispenser to the open Y-connector d1/4" (2) connectors, whereby it is of no importance, which hose is fitted to which connector.
- Plug the power plug back in.

How to fit the accessory dispenser to Smart2Pure 3/6 and Smart2Pure 12 with recirculation connection



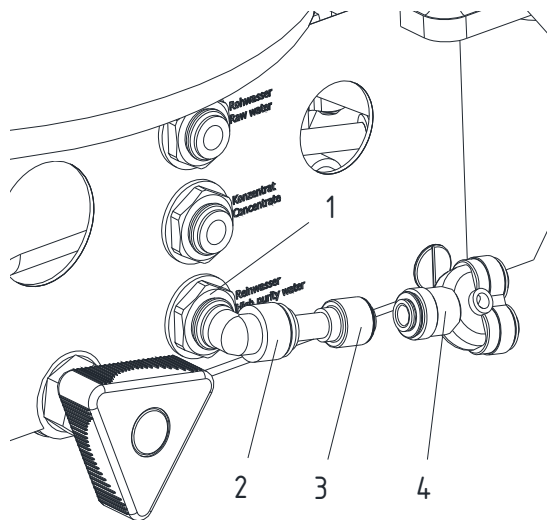
- Unplug the power plug.
- Relieve the pressure in the system by briefly opening the dispensing valve.
- Remove the hose bridge (1).
- Fit the 1/4" hoses of the dispenser to the outflow (2) and return flow (3) connectors of the system, whereby it is of no importance which hose is fitted to which connector.
- Plug the power plug back in.

How to fit the accessory dispenser to the tank of Pacific RO/TII/AFT



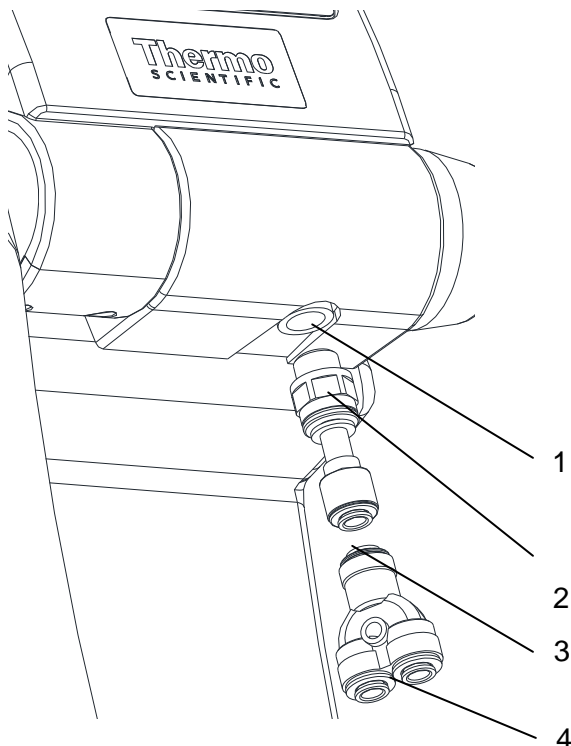
- Switch the system off.
- Discard the tank filling.
- Bring the gasket (2) with insert (1) to the 3/4" connector (7) of the storage tank and screw them to it with the union nut (4).
- Screw the screw-in connector (3) in the insert (1).
- Plug the plug-in-adaptor (5) to the screw-in connector (3)
- Use the hose provided to connect the Y-connector d1/4" (6) to the screw-in connector (3)
- Fit the two hoses of the dispenser to the open Y-connector d1/4" connectors (6), whereby it is of no importance, which hose is fitted to which connector.
- Switch the system on again.

How to fit the accessory dispenser to the tank of LabTower RO/TII/EDI/AFT



- Switch the system off.
- Relieve the pressure in the system by briefly opening the dispensing valve.
- Take the front cover off of the storage tank.
- Draw the stopper out from the tank pure water supply connector (1).
- Plug the put in angle connector d8 (2) into the pure water supply connector (1) and the plug-in adapter (3) into the put in angle connector d8 (2).
- Use the hose provided to connect the Y-connector d1/4" (4) to the plug-in adapter (3).
- Fit the two hoses of the dispenser to the open Y-connector d1/4"(3) connectors, whereby it is of no importance which hose is fitted to which connector.
- Fit the front cover back on the tank and switch the system on again.

How to fit a second accessory dispenser to the dispensing valve of LabTower EDI/TII/AFT



- Switch the system off.
- Relieve the pressure in the system by briefly opening the dispensing valve.
- Screw out the advisable sterile filter capsule from dispensing valve (1) and screw in the screw-in-connector d8 (2) into the dispensing valve (1) and the plug in adapter (3) into the screw in connector d8 (2).
- Use the hose provided to connect the Y-connector d1/4" (4) to the plug in adapter (3).
- Fit the two hoses of the dispenser to the open Y-connector d1/4" (4) connectors, whereby it is of no importance which hose is fitted to which connector.
- Switch the system on again.

Caution: Please note when you connect a second accessory dispenser to the dispensing valve, the dispensing valve must be opened and there is no recirculation available in the system

Pictures of LabTower EDI with two fitted accessory dispenser



Picture 1 shows accessory dispenser connected to the Pure water supply connection of LabTower RO/TII/EDI/AFT.



Picture 2 shows accessory dispenser connected to the dispensing valve of LabTower EDI/TII/AFT unit.